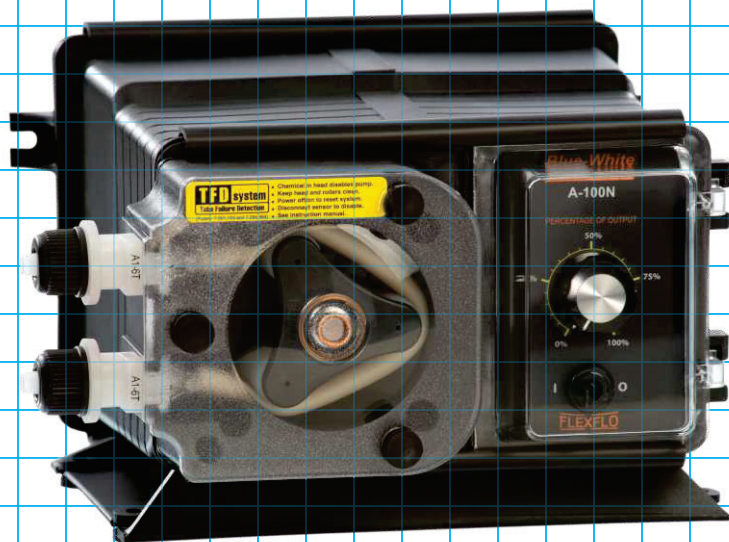


A-100NS

Fixed Speed

Dial Knob Control

60 second Spa cycle timer with 6 second maximum run time per cycle



Features:

- Peristaltic pump design does not have valves that can clog requiring maintenance.
- Self priming - even against maximum line pressure. By-pass valves are not required. Cannot vapor lock or lose prime.
- Outputs to 25 ml/min (9.5 GPD).
- Output pressures to 100 PSI.
- Output volume is not effected by changes in back pressure.
- Patented pump tube design installs easily and stays centered on the rollers without manual adjustment.
- Two pump tubes supplied with each pump. No extra tubing required.
- Easy to use dial knob output control.
- Outputs as low as 1/3 second per minute.
- Adjustable 60 second repeating interval timer. 0.3 - 6.0 second adjustable on time per 60 second cycle.
- Built-in Tube Failure Detection system (TFD). Senses chemical in the pump head, shuts off the pump and activates an NPN open collector output.
- Durable housing of chemical resistant Valox (PBT) thermoplastic.

Specifications:

Max. working pressure:100 psig (6.9 bar)
 Max. fluid temperature:130° F (54° C)
 Max. ambient temperature: ...14° to 110° F/ -10° to 43° C
 Output adjustment range:0.5-10%
 Duty cycle:.....6 seconds per minute max
 Maximum viscosity:5,000 Centipoise
 Maximum suction lift:30 ft. Water 0 psig
 Maximum Solids:50% by volume
 Enclosure:NEMA 3R, (IP23)
 Approximate shipping wt: ...10 lb. (4.5 kg)

Voltage (max amp):115VAC/60Hz, 14 & 30 rpm = 1.37 amp
45 & 60 rpm = 1.87 amp
230VAC/60Hz, 14 & 30 rpm = 0.64 amp
45 & 60 rpm = 0.74 amp
220VAC/50Hz, 14 & 30 rpm = 0.68 amp
45 & 60 rpm = 1.14 amp
240VAC/50Hz, 14 & 30 rpm = 0.66 amp
45 & 60 rpm = 1.04 amp
 Power Cord Plug Type:.....115V60Hz = NEMA 5/15 (USA)
230V60Hz = NEMA 6/15 (USA)
220V50Hz = CEE 7/VII (EUROPE)
240V50Hz = CEE 7/VII (U.K)

Materials of Construction:

Wetted components:

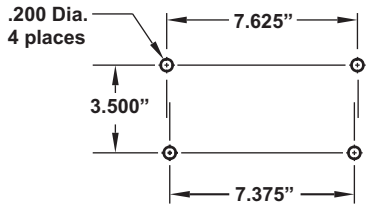
Pump Tube Assembly:.....Flex-A-Prene®, Flex-A-Thane® or FKM tubing
PVDF tube assembly connection fittings
 Suction Tubing:.....Clear PVC
 Suction Strainer:Natural Polypropylene
 Discharge Tubing:.....Natural Polyethylene (LLDPE)
 Injection/Check valve:
 Body & insert:Polypropylene (optional PVDF)
 Check Ball:Ceramic
 Spring:Hastelloy C-276
 Ball Seat O-ring:.....TFE/P (optional EP)

Non-Wetted components:

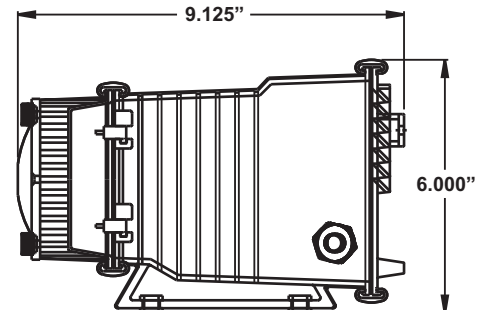
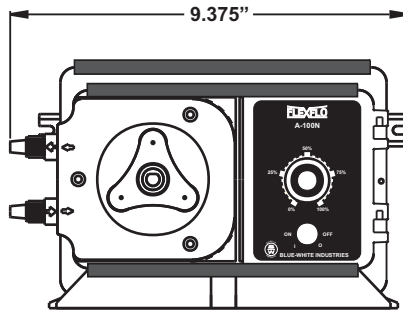
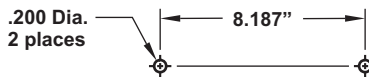
Pump Head & Enclosure:Valox® (PBT) thermoplastic
 Pump Head Cover:.....Clear Acrylic
 Cover Screws:.....300 Stainless, Polypropylene cap
 Roller Assembly:
 Rotor:.....Valox® (PBT)
 Rollers:Nylon
 Roller Bearings:Bronze
 Motor Shaft:.....Nickel plated steel
 TFD System Sensor pins:Hastelloy C-276
 Power Cord:3 conductor, SJTW-A Water-resistant

Dimensions:

Base Mounting



Rear Panel Mounting



Model Number Matrix:

MODEL A1N [] [] S - [] - []

Maximum Motor RPM	
0	= 14 RPM
1	= 30 RPM
2	= 45 RPM
3	= 60 RPM

Power Supply	
0	= 115V60Hz
1	= 220V50Hz*
2	= 230V60Hz
8	= 240V50Hz

Output Control	
S	= Analog timer, 60 sec. Cycle - 10% duty
C	= Analog timer, 5 sec. Cycle - 100% duty
A	= Analog timer, 60 sec. Cycle - 100% duty
V	= Digital speed control with external input
F	= Analog speed control
E	= Digital batch timer with external input
Z	= Proportional feed system - JBox/Cord
X	= No output control - fixed feed rate

Miscellaneous Options (not required)	
1	= T140-6V injector replaces A-014N-6A
2	= C-340V footvalve replaces C-342-6 strainer
5	= A-014NK-6A injector PVDF
T7	= 7 gallon chemical tank system
T15	= 15 gallon chemical tank system
T30	= 30 gallon chemical tank system

Tubing Connection Type	
T	= Compression tube nuts

Pump Tube Size and Material	
1	= 1/4" OD Flex-A-Thane [®]
2	= 3/8" OD Flex-A-Thane [®]
3	= 7/16" OD Flex-A-Thane [®]
4	= 1/4" OD Flex-A-Prene [®]
5	= 5/16" OD FKM
6	= 3/8" OD Flex-A-Prene [®]
7	= 7/16" OD Flex-A-Prene [®]
8	= 7/16" OD Flex-A-Chem [®]

Maximum Flow rate and pressure capacities:

Tube no.	Tubing Material	14 RPM MODELS					30 RPM MODELS					45 RPM MODELS					60 RPM MODELS				
		ml/m	oz/m	lph	gph	PSI(bar)	ml/m	oz/m	lph	gph	PSI(bar)	ml/m	oz/m	lph	gph	PSI(bar)	ml/m	oz/m	lph	gph	PSI(bar)
1	Flex-A-Thane [®]	1.5	0.05	.090	.024	65(4.5)	3.5	.118	.210	.055	65(4.5)	5.4	.183	.324	.086	65(4.5)	6.7	.226	.402	.106	65(4.5)
2	Flex-A-Thane [®]	3.2	.108	.192	.051	65(4.5)	7.5	.254	.450	.119	65(4.5)	11.5	.389	.690	.182	65(4.5)	14.0	.473	.840	.222	65(4.5)
3	Flex-A-Thane [®]	7.3	.247	.437	.116	50(3.5)	17.3	.585	1.038	.274	50(3.5)	26.1	.882	1.566	.414	50(3.5)	32.6	1.101	1.956	.517	50(3.5)
4	Flex-A-Prene [®]	.6	.020	.036	.010	100(6.9)	1.3	.044	.078	.021	100(6.9)	2.1	.071	.126	.033	100(6.9)	2.5	.085	.150	.040	75(5.2)
5	FKM	1.1	.037	.066	.017	25(1.7)	2.6	.088	.156	.041	25(1.7)	3.9	.131	.234	.062	25(1.7)	4.8	.162	.288	.076	25(1.7)
6	Flex-A-Prene [®]	1.8	.061	.108	.029	100(6.9)	4.2	.142	.252	.067	100(6.9)	6.3	.213	.378	.100	100(6.9)	7.9	.267	.474	.125	75(5.2)
7	Flex-A-Prene [®]	5.7	.192	.342	.090	50(3.5)	13.8	.466	.828	.219	50(3.5)	20.0	.676	1.200	.317	50(3.5)	25.0	.845	1.500	.396	50(3.5)
8	Flex-A-Chem [®]	4.0	.135	.240	.063	50(3.5)	8.4	.280	.504	.131	50(3.5)	14.0	.473	.840	.222	50(3.5)	18.0	.610	1.080	.285	50(3.5)

* NOTE: 50Hz units deliver 20% less output.

Gallons shown are U.S. Gallons

Replacement Pump Tubes:

Pump Model Number Suffix	Pump Tube Part Number	Pump Tube Material	Nominal Pump Tube OD
-1T	A1-1T	Flex-A-Thane [®]	1/4" (6,4mm)
-2T	A1-2T	Flex-A-Thane [®]	3/8" (9,5mm)
-3T	A1-3T	Flex-A-Thane [®]	7/16" (11,1mm)
-4T	A1-4T	Flex-A-Prene [®]	1/4" (6,4mm)
-5T	A1-5T	FKM	5/16" (7,9mm)
-6T	A1-6T	Flex-A-Prene [®]	3/8" (9,5mm)
-7T	A1-7T	Flex-A-Prene [®]	7/16" (11,1mm)
-8T	A1-8T	Flex-A-Chem [®]	7/16" (11,1mm)