

A3

FLEXFLO® Peristaltic Metering Pump



Features

- > Self priming chemical metering pump delivers smooth chemical feed
- > Tube Failure Detection (TFD) senses tube rupture
- > Signal inputs include: 4-20mA, Pulse Inputs, Frequency Inputs
- > Signal outputs include: 4-20mA Output(optional), Frequency Output(optional), one 250V/6 AMP relay output, three 115V/1A(optional)

Video link: 



Highlights

Flow range

.001 – 33.3 GPH
.003 – 126 LPH

Pressures

125 PSI
(8.6 bar)

Turndown ratio

2,500 : 1

Exclusive

Tube Failure Detection (TFD)

Motor

Brushless DC Motor

Warranty

2 Years

Control Methods

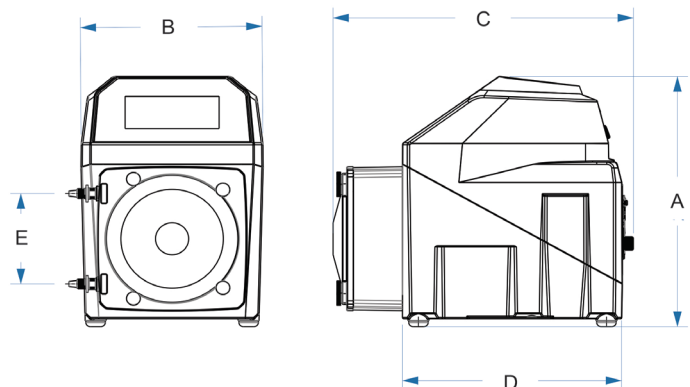
| Control Methods | Manual Control | 4-20mA Input | Remote Start/Stop | Pulse Input | Frequency Input | Ethernet/IP | Modbus TCP/IP | Profibus | Alarm Outputs | FVS | Relay Output |
|-----------------|----------------|--------------|-------------------|-------------|-----------------|-------------|---------------|----------|---------------|-----|--------------|
| A3F | • | | • | | | | | | | • | • |
| A3V | • | • | • | • | • | • | • | • | • | • | • |



| | |
|---|---|
| Maximum Working Pressure (excluding pump tubes) | 125 psig (8.6 bar) NOTE: see individual pump tube assembly max. pressure ratings. |
| Maximum Fluid Temperature (excluding pump tubes) | 185 °F (85 °C) NOTE: see individual pump tube assembly max. temperature ratings. |
| Ambient Operating Temperature | 14 °F to 115 °F (-10 °C to 46 °C) |
| Ambient Storage Temperature | -40 °F to 158 °F (-40 °C to 70 °C) |
| Maximum Viscosity | 12,000 Centipoise |
| Maximum Suction Lift | 30 ft. Water, 0 psig (9.14 m, 0 bar) |
| Operating Voltage | 115VAC/60Hz, 1ph (2.0 Amp Maximum) |
| | 230VAC/60Hz, 1ph (1.0 Amp Maximum) |
| | 220VAC/50Hz, 1ph (1.0 Amp Maximum) |
| | 240VAC/50Hz, 1ph (1.0 Amp Maximum) |
| | 230VAC/50Hz, 1ph (2.0 Amp Maximum) |
| Power Cord Options | 115V60Hz = NEMA 5/15 (USA) |
| | 230V60Hz = NEMA 6/15 (USA) |
| | 220V50Hz = CEE 7/VII (EU) |
| | 240V50Hz = AS 3112 (Australia/New Zealand) |
| | 230V50Hz = BS 1363/A (UK) |
| Motor | Brushless DC |
| Motor Speed Adjustment Range | 2,500:1 (0.04% – 100%) Max rpm = 125 rpm |
| Motor Speed Adjustment Resolution | 0.1% increments > 1% motor speed and < 100% |
| | 0.04% increments < 1% motor speed |
| Display | 5" touchscreen color LCD, UV resistant |
| Display Languages | English, Spanish, French, German, and Portuguese selectable |
| Keypad | Ten button positive action tactile switch keypad |
| Security | Programmable 6-digit password |
| Maximum Overall Dimensions | 8-1/4"W x 11-3/4"H x 13-1/4"D (20.9W x 29.8H x 34.5D cm) |
| Product Weight | 25.4lb. (11.5 Kg) |
| Approximate Shipping Weight | 30 lb. (13.6 Kg) |
| Enclosure | NEMA 4X (IP66), Polyester powder coated aluminum & Noryl |
| RoHS Compliant | Yes |
| Standards | cETLus, CE |

Dimensions

| Dim | Inch | cm | Dim | Inch | cm |
|-----|---------|------|-----|---------|------|
| A | 11-3/4" | 29.8 | D | 10-1/2" | 26.5 |
| B | 8-1/4" | 20.9 | E | 4-1/4" | 10.8 |
| C | 13-1/2" | 34.5 | | | |



Non-wetted Components:

Enclosure: 413 Aluminum (Polyester powder coated) & Noryl

Pump Head: Valox® (PBT) thermoplastic

Pump Head Cover: Polycarbonate

Permanently lubricated sealed motor shaft support ball bearing.

Cover Screws: Stainless steel, polypropylene cap

Roller Assembly:

Rotor: Valox® (PBT)

Rollers: Nylon

Roller Bearings: SS Ball bearings

Motor Shaft: Chrome plated steel

TFD System Sensor: Hastelloy C-276

Power Cord: 3 conductor, SJTW-A water-resistant

Tube Installation Tool: GF nylon

Mounting Brackets and Hardware: 316 Stainless steel

Wetted Components:

Pump Tube Assembly:

Tubing: Flex-A-Prene®, Flex-A-Chem or Flex-A-Thane®

Adapter Fittings: PVDF

Body & Insert: PVDF

Check Ball: Ceramic

Injection / Back-Flow Check Valve:

Spring: Hastelloy C-276

Ball Seat O-Ring: TFE/P (optional EPDM)

Static Seal O-Ring: TFE/P (optional EPDM)

Ancillary Items Provided:

Suction Tubing: 3/8" OD x 1/4" ID x 10' Clear PVC

With "S" Tubing Type Only:

Discharge Tubing: 3/8" OD x 1/4" ID x 10' Polyethylene

Suction Strainer: PVDF

(Available for ND, NKL, NGG, NEE, G2G)

With "B" Tubing and "M" M/NPT Connections Only:

Suction Strainer:

Body: PVDF

Check Ball: Ceramic

Ball Seat O-Ring: TFE/P (Optional EP)

With "C" Tri-clamp

(Available on ND, NKL, NGG, NEE, and G2G only)

Suction Strainer: PVDF

With "Q" Quick Disconnect Connections* Only:

(Available on G2G, ND, NEE, NGG, NKL only)

Output Specifications

| Feed Rate | | | Max Pressure | Max Temperature | Tube Material / Size |
|------------------------------------|--------------|------------|--------------|-----------------|----------------------|
| GPH | LPH | mL/min | PSI (bar) | °F (°C) | |
| Flex-A-Prene® A3 Tube Pumps | | | | | |
| .001 - 2.1 | .003 - 7.8 | 05 - 132 | 125 (8.6) | 185 (85) | ND |
| .002 - 4.76 | .007 - 18.0 | .12 - 300 | 110 (7.6) | 185 (85) | NEE |
| .007 - 19.02 | .03 - 72.0 | .48 - 1200 | 110 (7.6) | 185 (85) | NGG |
| .010 - 25.3 | .038 - 96.0 | .6 - 1596 | 125 (8.6) | 185 (85) | NJ |
| .013 - 33.3 | .050 - 126.0 | .8 - 2100 | 125 (8.6) | 185 (85) | NK |
| .013 - 33.3 | .050 - 126.0 | .8 - 2100 | 30 (2.1) | 185 (85) | NKL |
| Flex-A-Chem® A3 Tube Pumps | | | | | |
| .006 - 15.06 | .022 - 57.0 | .4 - 950 | 50 (3.4) | 130 (54) | TH |
| .011 - 28.5 | .043 - 108 | .72 - 1800 | 50 (3.4) | 130 (54) | TK |
| Flex-A-Thane® A3 Tube Pumps | | | | | |
| .002 - 4.60 | .007 - 17.4 | .1 - 290 | 65 (4.5) | 130 (54) | GE |
| .004 - 10.1 | .015 - 38.4 | .3 - 637 | 65 (4.5) | 130 (54) | GG |
| .010 - 24.9 | .038 - 94.2 | .6 - 1570 | 65 (4.5) | 130 (54) | GH |
| .011 - 28.5 | .043 - 108.0 | .7 - 1800 | 65 (4.5) | 130 (54) | GK |
| .007 - 18.23 | .03 - 69.0 | .46 - 1150 | 65 (4.5) | 130 (54) | G2G |

FLEXFLO® Model Number

A3 FLEXFLO® A3 Peristaltic Metering Pump

Series

| | |
|----------|--|
| F | Single manual output control (manual/local control only) |
| V | Multiple automatic input output control and alarm modes (remote control) |

Power Cord (operating voltage requirement 96VAC to 264VAC)

| | | | |
|----------|---|----------|---|
| 4 | 115V / 60Hz, power cord NEMA 5/15 plug (US) | 8 | 240V / 50HZ, power cord AS 3112 plug (AU/New Zealand) |
| 5 | 230V / 60Hz, power cord NEMA 6/15 plug (US) | 9 | 230V / 50HZ, power cord BS 1363 plug (UK) |
| 6 | 220V / 50HZ, power cord CEE 7/VII plug (EU) | X | No Power Cord |

Inlet/Outlet Connection Size, Connection Type, Connection Material

| | |
|-----------|--|
| S | 3/8" OD x 1/4" ID Tube Compression Fitting, Natural PVDF (Kynar) |
| M | 1/2" Male NPT Fitting, Natural PVDF (Kynar) |
| B | 1/2" ID Tubing Barb Fitting, Natural PVDF (Kynar), available for ND, NKL, NEE, NGG, and G2G |
| C | 1/2" - 3/4" Tri-clamp connections, Natural PVDF (Kynar), available for ND, NKL, NEE, NGG, and G2G only |
| Q | Quick Disconnect, Natural PVDF (Kynar): ND, NKL, NEE, NGG, and G2G only. (Valves sold separately) |
| MB | 1/2" Male BSPT Fitting, Natural PVDF (Kynar) |

Pump Tube Material, Pump Tube Size

| | | | |
|------------|--|------------|-----------------------------------|
| ND | Flex-A-Prene® .075 ID | GE | Flex-A-Thane® .125 ID |
| NEE | Flex-A-Prene® .093 ID (Dual Tube) | GG | Flex-A-Thane® .187 ID |
| NGG | Flex-A-Prene® .187 ID (Dual Tube) | GH | Flex-A-Thane® .312 ID |
| NJ | Flex-A-Prene® .312 ID | GK | Flex-A-Thane® .375 ID |
| NK | Flex-A-Prene® .375 ID | G2G | Flex-A-Thane® .187 ID (Dual Tube) |
| NKL | Flex-A-Prene® .375 ID (30 PSI max pressure - longer life) | TH | Flex-A-Chem® .250 ID |
| NHL | Flex-A-Prene® .250 ID | TK | Flex-A-Chem® .375 ID |

Options (leave this blank for standard model with left facing head)

| | |
|----------|---|
| 1 | TI40-6V Threadless injection check valve, replaces A-014NK-6A threaded check valve |
| 2 | C340A Foot valve, replaces standard C-342 inlet strainer (no check valve) |
| R | Right facing pump head, input / output (Left facing fluid input / output is standard) |
| D | Down facing pump head, input / output (Left facing fluid input / output is standard) |
| E | EP O-Rings |

| | | | | | | | | | |
|-----------|----------|----------|----------|----------|----------|----------|-----------|----------|----------------------------|
| A3 | S | F | 2 | 4 | - | S | ND | 1 | Sample Model Number |
|-----------|----------|----------|----------|----------|----------|----------|-----------|----------|----------------------------|