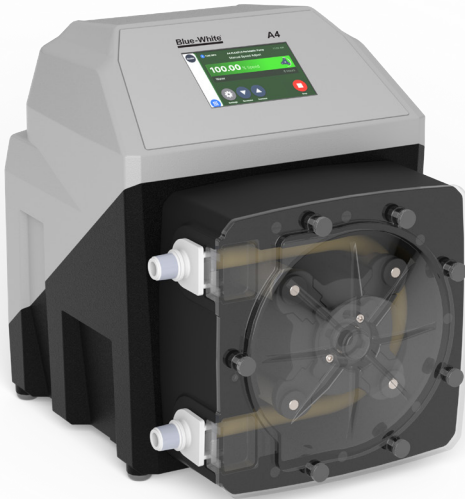


# A4

## FLEXFLO® Peristaltic Metering Pump



### Features

- > Self priming chemical metering pump delivers smooth chemical feed
- > Tube Failure Detection (TFD) senses tube rupture
- > Signal inputs include: 4-20mA, Pulse Inputs, Frequency Inputs
- > Signal outputs include: 4-20mA Output, Frequency Output, one 250V/6 AMP relay output, three 115V/1A

Video link: 



### Highlights

**Flow range**

.01 – 158 GPH  
.04 – 600 LPH

**Pressures**

125 PSI  
(8.6 bar)

**Turndown ratio**

2,500 : 1

**Exclusive**

Tube Failure Detection (TFD)

**Motor**

Brushless DC Motor

**Warranty**

2 Years

### Control Methods

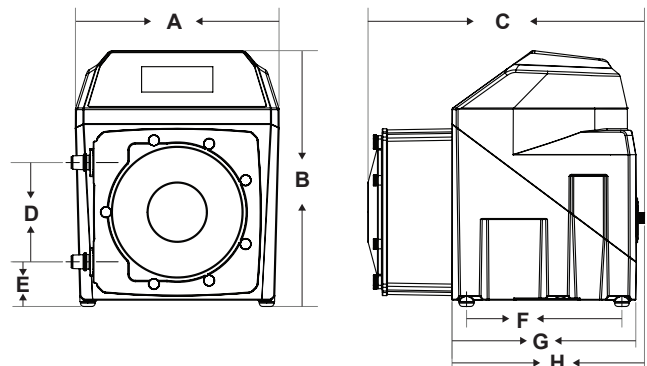
Control Methods	Manual Control	4-20mA Input	Remote Start/Stop	Pulse Input	Frequency Input	Ethernet/IP	Modbus TCP/IP	Profibus	Alarm Outputs	FVS	Relay Output
A4V	•	•	•	•	•	•	•	•	•	•	•



<b>Maximum Working Pressure</b>	125 psig (8.6 bar)
	<b>Note:</b> see individual pump tube assembly maximum pressure ratings.
<b>Maximum Fluid Temperature</b>	3/8" OD x 1/4" ID tubing connections: 130 °F (54 °C) M/NPT connections: 185 °F (85 °C)
	Note: see individual pump tube assembly max temperature ratings.
<b>Ambient Operating Temperature</b>	14 °F to 115 °F (-10 °C to 46 °C)
<b>Ambient Storage Temperature</b>	-40 °F to 158 °F (-40 °C to 70 °C)
<b>Maximum Viscosity</b>	12,000 Centipoise
<b>Maximum Suction Lift</b>	30 ft. Water at sea level (14.7 atm psi)
<b>Operating Voltage</b>	115VAC/60Hz, 1ph (2.0 Amp Maximum) 230VAC/60Hz, 1ph (1.0 Amp Maximum) 220VAC/50Hz, 1ph (1.0 Amp Maximum) 240VAC/50Hz, 1ph (1.0 Amp Maximum) 230VAC/50Hz, 1ph (2.0 Amp Maximum)
	115V60Hz = NEMA 5/15 (USA) 230V60Hz = NEMA 6/15 (USA)
<b>Power Cord Options</b>	220V50Hz = CEE 7/VII (EU) 240V50Hz = AS 3112 (Australia/New Zealand) 230V50Hz = BS 1363/A (UK)
<b>Motor</b>	Brushless DC
<b>Motor Speed Adjustment Range</b>	2,500:1 (0.04% – 100%) Max rpm = 125 rpm
<b>Motor Speed Adjustment Resolution</b>	0.1% increments > 1% motor speed and < 100% 0.04% increments < 1% motor speed
<b>Display</b>	5" touchscreen color LCD, UV resistant
<b>Display Languages</b>	English, Spanish, French, German, and Portuguese selectable
<b>Security</b>	Programmable 6-digit password
<b>Maximum Overall Dimensions</b>	12-1/8"W x 15-1/4"H x 16-1/2"D (30.8W x 38.8H x 41.9D cm)
<b>Product Weight</b>	45.5 lb. (20.64 Kg)
<b>Approximate Shipping Weight</b>	50 lb. (22.68 Kg)
<b>Enclosure</b>	NEMA 4X (IP66), Polyester powder coated aluminum & Noryl
<b>RoHS Compliant</b>	Yes
<b>Standards</b>	cETLus, CE

## Dimensions

Dim	Inch	cm	Dim	Inch	cm
A	12.1"	30.8	E	2.7"	6.8
B	15.3"	38.8	F	9.3"	23.5
C	16.5"	41.9	G	11.0"	27.8
D	5.9"	15.0	H	11.5"	29.2



<b>Non-wetted Components:</b>		<b>Wetted Components:</b>	
<b>Pump Head:</b> Valox® (PBT) thermoplastic		<b>Pump Tube Assembly:</b>	Tubing: Flex-A-Prene®, Flex-A-Chem or Flex-A-Thane®
<b>Pump Head Cover:</b> Polycarbonate			Adapter Fittings: PVDF
Permanently lubricated sealed motor shaft support ball bearing.			Body & Insert: PVDF
<b>Cover Screws:</b> Stainless steel		<b>Injection / Back-Flow Check Valve:</b>	Check Ball: Ceramic
<b>Roller Assembly:</b>			Spring: Hastelloy C-276
Rotor: Valox® (PBT)			Ball Seat O-Ring: TFE/P (optional EPDM)
Rollers: Nylon			Static Seal O-Ring: TFE/P (optional EPDM)
Roller Bearings: SS Ball Bearings		<b>Ancillary Items Provided:</b>	
<b>Motor Shaft:</b> Chrome plated steel		<b>Suction Strainer:</b>	
<b>TFD System Sensor:</b> Hastelloy C-276		<b>With “B” Tubing and “M” M/NPT Connections Only:</b>	Body: PVDF
<b>Power Cord:</b> 3 conductor, SJTW-A water-resistant			Check Ball: Ceramic
<b>Tube Installation Tool:</b> GF Nylon			Ball Seat O-Ring: TFE/P (Optional EP)
<b>Mounting Brackets and Hardware:</b> 316 Stainless steel			

## Output Specifications

Tube Material / Size	Feed Rate			Max Pressure	Max Temperature
	GPH	LPH	mL/Min	PSI (bar)	°F (°C)
<b>Flex-A-Thane®</b>					
GH	.01 - 39.6	.06 - 150	1.0 - 2500	65 (4.5)	130 (54)
GK	.02 - 55.5	.09 - 210	1.4 - 3500	65 (4.5)	130 (54)
GKK	.04 - 100	.20 - 378	2.5 - 6300	65 (4.5)	130 (54)
<b>Flex-A-Prene®</b>					
NH	.01 - 28.5	.04 - 108	7 - 1800	125 (8.6)	185 (85)
NJ	.02 - 44.4	.07 - 168	1.1 - 2800	100 (6.9)	185 (85)
NK	.02 - 50.7	.08 - 192	1.3 - 3200	80 (5.5)	185 (85)
NHH	.02 - 54.0	.09 - 204	1.4 - 3400	100 (6.9)	185 (85)
NHHL	.02 - 54.0	.09 - 204	1.4 - 3400	65 (4.5)	185 (85)
NL	.04 - 100.0	.15 - 378	2.5 - 6300	50 (3.4)	185 (85)
NP	.06 - 158.5	.24 - 600	4.0 - 10000	30 (2.1)	185 (85)
<b>Flex-A-Chem®</b>					
TK	.02 - 54.0	.08 - 204	1.36 - 3400	30 (2.1)	130 (54)
TH	.01 - 25.4	.04 - 96.0	.64 - 1600	65 (4.5)	130 (54)

## FLEXFLO® Model Number

**A4** FLEXFLO® A4 Peristaltic Metering Pump

### Series

**V** Multiple automatic input output control and alarm modes (remote control)

### Power Cord (operating voltage requirement 96VAC to 264VAC)

<b>4</b>	115V / 60Hz, power cord NEMA 5/15 plug (US)	<b>8</b>	240V / 50HZ, power cord AS 3112 plug (AU/New Zealand)
<b>5</b>	230V / 60Hz, power cord NEMA 6/15 plug (US)	<b>9</b>	230V / 50HZ, power cord BS 1363 plug (UK)
<b>6</b>	220V / 50HZ, power cord CEE 7/III plug (EU)	<b>X</b>	No Power Cord

### Inlet/Outlet Connection Size, Connection Type, Connection Material

<b>M</b>	1/2" Male NPT Fitting, Natural PVDF (Kynar)	<b>Q</b>	Quick Disconnect, Natural PVDF (Kynar), NP flow rate reduced 16.5% with Quick Disconnect connections (Valves sold separately)
<b>B</b>	1/2" ID Tubing Barb Fitting, Natural PVDF (Kynar)	<b>MB</b>	1/2" Male BSPT Fitting, Natural PVDF (Kynar)
<b>C</b>	1/2" - 3/4" Tri-clamp connections, Natural PVDF (Kynar)		

### Pump Tube Material, Pump Tube Size

<b>NH</b>	Flex-A-Prene® .250 ID	<b>NKL</b>	Flex-A-Prene® .375 ID	<b>GK</b>	Flex-A-Thane® .375 ID
<b>NHH</b>	Flex-A-Prene® .250 ID (Dual Tube)	<b>NL</b>	Flex-A-Prene® .500 ID	<b>GKK</b>	Flex-A-Thane® .375 ID (Dual Tube)
<b>NHHL</b>	Flex-A-Prene® .250 ID (Dual Tube)	<b>NP</b>	Flex-A-Prene® .750 ID	<b>TH</b>	Flex-A-Chem® .250 ID
<b>NHL</b>	Flex-A-Prene® .250 ID	<b>GH</b>	Flex-A-Thane® .312 ID	<b>TK</b>	Flex-A-Chem® .375 ID
<b>NJ</b>	Flex-A-Prene® .312 ID	<b>GHH</b>	Flex-A-Thane® .312 ID (Dual Tube)	<b>TKK</b>	Flex-A-Chem® .375 ID (Dual Tube)
<b>NK</b>	Flex-A-Prene® .375 ID				

### Options (leave this blank for standard model with left facing head)

<b>1</b>	T140-6V Threadless injection check valve, replaces A-014NK-6A threaded check valve	<b>R</b>	Right facing pump head, input / output
<b>2</b>	C340A Foot valve, replaces standard C-342 inlet strainer (no check valve)	<b>D</b>	Down facing pump head, input / output
<b>E</b>	EP O-Rings		

**A4 S V 2 4 - M NH 1** Sample Model Number

## Quick Disconnect Valve Kits

**NOTE:** For use with the Quick Disconnect Flex-A-Prene® Tube Assembly. Kits sold separately.



**KIT-QBV**  
1/2" HOSE BARB

\*KIT-QBE EP O-RINGS



**KIT-QMV**  
1/2" M/NPT

\*KIT-QME EP O-RINGS

P.N. #85000-100 A4 Rev. 1 20211220

4 5300 Business Drive, Huntington Beach, CA 92649  
TEL 714-893-8529 | FAX 714-894-9492 | www.blue-white.com | sales@blue-white.com

ISO 9001:2015  
CERTIFIED

