

# C-600HV

## CHEM-FEED® Diaphragm Pump



### Features

- > All ball bearing, permanently lubricated gear motor for smooth, quiet, powerful operation.
- > High volume diaphragm pump
- > Stroke adjustment from 4-100% permits accurate small injections at a high rate per minute.
- > Fixed speed
- > Mechanical cam



### Highlights

**Flow range**

1.74 - 47.1 GPH  
6.6 - 178.3 LPH

**Pressures**

20 PSI  
(1.4 bar)

**Turndown ratio**

27 : 1

**Max. suction lift**

10 ft. Water 0 psig

**Motor**

AC Shaded Pole  
Motor

**Warranty**

1 Year



<b>Max. Working Pressure</b>	20 psig (1.4 bar)
<b>Max. Fluid Temperature</b>	130 °F (54 °C)
<b>Max. Ambient Temperature</b>	14 °F to 110 °F/ -10 to 43 °C
<b>Max. Viscosity</b>	1,000 Centipoise
<b>Max. Suction Lift</b>	10 ft. Water at 0 psig
<b>Output Adjustment Range</b>	4-100% stroke length
<b>Operating Voltage</b>	115VAC/60Hz, 1ph (.74 amp maximum)
	230VAC/60Hz, 1ph (.36 amp maximum)
	220VAC/50Hz, 1ph (.31 amp maximum)
	24VAC/60Hz, 1ph (3.40 amp maximum)
	12VDC (3.00 amp maximum)
	24VDC (1.50 amp maximum)
<b>Duty Cycle</b>	Continuous
<b>Power Connection</b>	Junction box for field wiring
<b>Approximate Shipping Weight</b>	8 lb. (3.6kg)
<b>Enclosure</b>	NEMA 1 (IP20) powder coated zinc
<b>RoHS Compliant</b>	Yes
<b>Standards</b>	NSF/ANSI 50, UL, CSA, CE

## Output Specifications

### AC powered models

Maximum Output at 0 PSI				Strokes/Min	Max PSI
GPD	GPH	LPH	OZ/MIN		
268	11.2	42.4	23.8	60	20
568	23.7	89.7	50.5	125	10
1,129	47.1	178.3	100.4	250	5

### DC powered models

Maximum Output at 0 PSI				Strokes/Min	Max PSI
GPD	GPH	LPH	OZ/MIN		
189	7.8	29.5	16.8	60	20
398	16.5	32.4	35.3	125	10
791	32.9	124.5	70.3	250	5

**NOTE:** For optimum diaphragm life, specify the pump to operate at the lowest possible RPM and pressure.

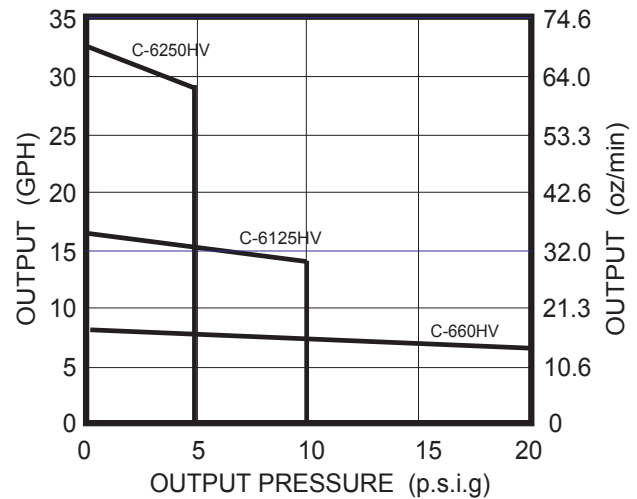
**Wetted Components:**

<b>Pump Head:</b>	Acrylic
	Tube adapters: PVC
	Valve Poppit: EP (optional Viton)
<b>Pump Head Inlet/Outlet Valves:</b>	Adapter O-ring: EP (optional Viton)
	Poppit spring: Hastelloy C-276
<b>Suction Tubing:</b>	Clear PVC
<b>Discharge Tubing:</b>	Clear PVC
	Body & Tubing adapter: PVC
<b>Suction Strainer:</b>	Strainer: Polypropylene
<b>Injection Fitting:</b>	PVC

## Performance

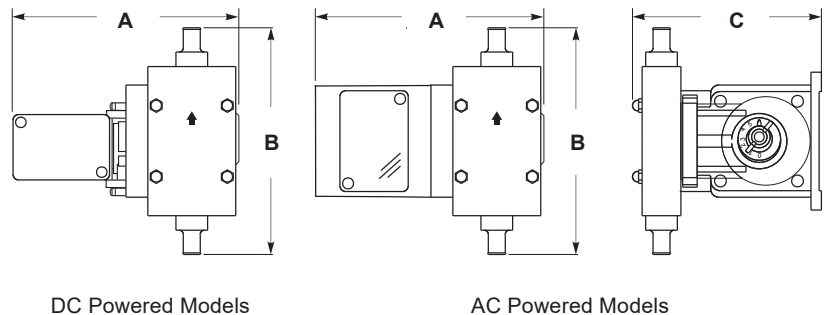
### CHEM-FEED® C-600HV Diaphragm Pump

Maximum Output vs. Pressure Curve



## Dimensions

Dim	DC Powered Models		AC Powered Models	
	Inch	cm	Inch	cm
<b>A</b>	7-7/32	18.3	6-3/4	17.15
<b>B</b>	7	17.78	7	17.78
<b>C</b>	6-1/8	15.55	6-1/8	15.55



# Model Number Matrix

C-600HV

## Model Number Model Number

<b>C6</b>	CHEM-FEED® Diaphragm Model Number			
<b>Maximum Motor RPM</b>				
<b>60</b>	60 RPM			
<b>125</b>	125 RPM			
<b>250</b>	250 RPM			
<b>Power Supply Voltage</b>				
<b>115VAC</b>	115V60Hz			
<b>220VAC</b>	220V50Hz (20% less output)			
<b>230VAC</b>	230V60Hz			
<b>24VAC</b>	24V60Hz			
<b>12VDC</b>	12V DC			
<b>24VDC</b>	24V DC			
<b>C6</b>	<b>60</b>	<b>HV</b>	<b>115VAC</b>	<b>Sample Model Number</b>