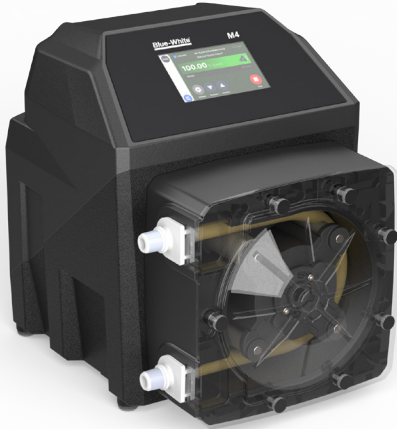



M4

FLEXFLO® Peristaltic Metering Pump



Features

- > 5" touchscreen color LCD display
- > User-friendly configurations
- > Self priming peristaltic metering pump delivers smooth chemical feed
- > Tube Failure Detection (TFD) system senses tube failure
- > Inputs include: 4-20mA, Pulse Inputs, EtherNet/IP, Modbus TCP/IP, Profibus, Remote Start/Stop
- > Revolution count display & user programmable alarm

Video link: 



NEMA 4X

Highlights

Flow range

.0028 -158.5 GPH
.0108 - 600 LPH

Pressures

125 PSI
(8.6 bar)

Turndown ratio

10,000 : 1

Exclusive

Tube Failure Detection (TFD)

Motor

Brushless DC Motor

Warranty

5 Years

Control Methods

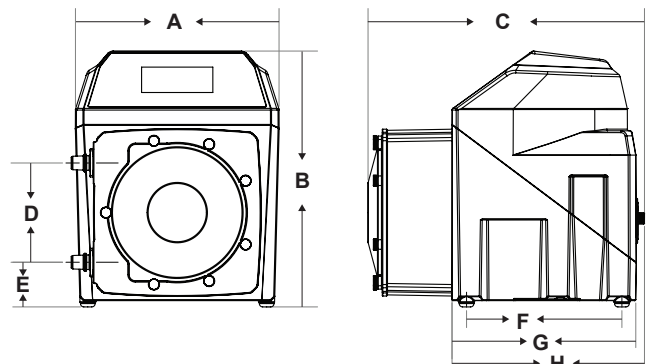
Control Methods	Manual Control	4-20mA Input	Remote Start/Stop	Pulse Input	Frequency Input	Ethernet/IP	Modbus TCP/IP	Profibus	Alarm Outputs
M4	•	•	•	•	•	•	•	•	•



Maximum Working Pressure (excluding pump tubes)	125 psig (8.6 bar) NOTE: See individual pump tube assembly max. pressure ratings.
Maximum Fluid Temperature (excluding pump tubes)	185 °F (85 °C) NOTE: See individual pump tube assembly max. temperature ratings.
Maximum Viscosity	12,000 Centipoise
Maximum Suction Lift	30 ft. Water, 0 psig (9.14 m, 0 bar)
Ambient Operating Temperature	14 °F to 115 °F (-10 °C to 46 °C)
Ambient Storage Temperature	-40 °F to 158 °F (-40 °C to 70 °C)
Operating Voltage	115VAC/60Hz, 1ph (2.0 Amp Maximum)
	230VAC/60Hz, 1ph (1.0 Amp Maximum)
	220VAC/50Hz, 1ph (1.0 Amp Maximum)
	240VAC/50Hz, 1ph (1.0 Amp Maximum)
	230VAC/50Hz, 1ph (2.0 Amp Maximum)
Power Cord Options	115V60Hz = NEMA 5/15 (USA)
	230V60Hz = NEMA 6/15 (USA)
	220V50Hz = CEE 7/VII (EU)
	240V50Hz = AS 3112 (Australia/New Zealand)
Motor	Brushless DC, 1/4 H.P.
	10,000:1 (0.01% - 100% motor speed) Max RPM = 125
Motor Speed Adjustment Range	0.1% increments > 1% motor speed and < 100%
Motor Speed Adjustment Resolution	0.01% increments < 1% motor speed
Display	5" touchscreen color LCD, UV resistant.
Display Languages	English, Spanish, French, German, and Portuguese selectable
Maximum Overall Dimensions	12-1/8"W x 15-1/4"H x 16-1/2"D (30.8W x 38.8H x 41.9D cm)
Product Weight	45.5 lb. (20.64 Kg)
Security	Programmable 6-digit password
Approximate Shipping Weight	50 lb. (22.68 Kg)
Enclosure	NEMA 4X (IP66), Polyester powder coated aluminum & Noryl
RoHS Compliant	Yes
Standards	cETLus, CE, NSF61

Dimensions

Dim	Inch	cm	Dim	Inch	cm
A	12.1"	30.8	E	2.7"	6.8
B	15.3"	38.8	F	9.3"	23.5
C	16.5"	41.9	G	11.0"	27.8
D	5.9"	15.0	H	11.5"	29.2



Non-wetted Components:

Pump Head: Valox® (PBT) thermoplastic

Pump Head Cover: Polycarbonate

Permanently lubricated sealed motor shaft support ball bearing

Cover Screws: Stainless steel

Roller Assembly:

Rotor: Valox® (PBT)

Rollers: Nylon

Roller Bearings: SS Ball bearings

Motor Shaft: Chrome plated steel

TFD System Sensor: Hastelloy C-276

Power Cord: 3 conductor, SJTW-A water-resistant

Tube Installation Tool: GF nylon

Mounting Brackets and Hardware: 316 Stainless steel

Wetted Components:

Pump Tube Assembly:

Tubing: Flex-A-Prene®, Flex-A-Chem® or Flex-A-Thane®

Adapter Fittings: PVDF

Output Specifications

Feed Rate			Max Speed	Max Pressure	Max Temperature	Tube Material / Size
GPH	LPH	mL/Min	RPM	PSI (bar)	°F (°C)	
Flex-A-Prene® M4 Tube Pumps						
.0028 - 28.5	.0108 - 108	.180 - 1800	125	125 (8.6)	185 (85)	NH
.0044 - 44.4	.0168 - 168	.280 - 2800	125	100 (6.9)	185 (85)	NJ
.0054 - 54.4	.0204 - 204	3400 - 3400	125	65 (4.5)	185 (85)	NHHL
.0050 - 50.7	.0192 - 192	.320 - 3200	125	80 (5.5)	185 (85)	NK
.0054 - 54.0	.0204 - 204	.340 - 3400	125	100 (6.9)	185 (85)	NHH
.010 - 100.0	.0378 - 378	.630 - 6300	125	50 (3.4)	185 (85)	NL
.015 - 158.5	.0600 - 600	1.00 - 10000	125	30 (2.1)	185 (85)	NP**
Flex-A-Chem® M4 Tube Pumps						
.0054 - 54.00	.0204 - 204	.3400 - 3400	125	30 (2.1)	130 (54)	TK
.0126 - 126.0	.0477 - 477.0	.800 - 8000	125	30 (2.1)	130 (54)	TKK
Flex-A-Thane® M4 Tube Pumps						
.0039 - 39.6	.0150 - 150	.250 - 2500	125	65 (4.5)	130 (54)	GH
.0055 - 55.5	.0210 - 210	.350 - 3500	125	65 (4.5)	130 (54)	GK
.010 - 100.0	.0378 - 378	.630 - 6300	125	65 (4.5)	130 (54)	GKK

FLEXFLO® Model Number

M4 FLEXFLO® Peristaltic metering pump								
Power Cord (operating voltage user selectable 115V/240 VAC 50/60Hz)								
4	115V / 60Hz, power cord NEMA 5/15 plug (US)							
5	230V / 60Hz, power cord NEMA 6/15 plug (US)							
6	220V / 50Hz, power cord CEE 7/VII plug (EU)							
8	240V / 50Hz, power cord AS 3112 plug (AU/New Zealand)							
9	230V / 50Hz, power cord BS 1363/A plug (UK)							
X	No Power Cord							
Inlet/Outlet Connection Size, Connection Type, Connection Material								
M	1/2" Male NPT Fitting, Natural PVDF (Kynar)							
B	1/2" Hose Barb, Natural PVDF (Kynar) available for all tubes							
C	1/2" - 3/4" Tri-clamp connections, Natural PVDF (Kynar), available for all tubes							
Q	Quick Disconnect, Natural PVDF (Kynar), available for all tubes (valves sold separately)							
MB	1/2" Male BSPT Fitting, Natural PVDF (Kynar)							
Pump Tube Material, Pump Tube Size, Output Range								
NH	Flex-A-Prene® .250 ID							
NHH	Flex-A-Prene® .250 ID (dual tube)							
NHHL	Flex-A-Thane® .250 ID (dual tube)							
NHL	Flex-A-Prene® .250 ID							
NJ	Flex-A-Prene® .312 ID							
NK	Flex-A-Prene® .375 ID							
NKL	Flex-A-Prene® .375 ID							
NL	Flex-A-Prene® .500 ID							
NP	Flex-A-Prene® .750 ID							
GH	Flex-A-Thane® .312 ID							
GHH	Flex-A-Thane® .312 ID (dual tube)							
GK	Flex-A-Thane® .375 ID							
GKK	Flex-A-Thane® .375 ID (dual tube)							
TH	Flex-A-Chem® .250 ID							
TK	Flex-A-Chem® .375 ID							
TKK	Flex-A-Chem® .375 ID (dual tube)							
Options (leave this blank for standard model with left facing pump head inlet/outlet)								
R	Right facing pump head, input / output (Left facing fluid input / output is standard)							
D	Down facing pump head, input / output (Left facing fluid input / output is standard)							
M4	S	2	4	-	M	NH	R	Sample Model Number

Accessories

NOTE: For use with the Quick Disconnect Tube Assembly. Kits sold separately.



*KIT-QBV FKM O-RINGS /
*KIT-QBE EP O-RINGS



*KIT-QMV FKM O-RINGS /
*KIT-QME EP O-RINGS



*KIT-M12-3 THREE M12 CABLES



NOTE: Accessories sold separately.