

CFPS-1

CHEM-FEED® Plastic Single Skid System



Video link: 

Features

- > Chemically resistant polyethylene structure
- > Leak free, threadless connections
- > Pressure Relief Valve protects the system from over-pressurization
- > Check Valve protects the user from back-flow
- > Flow Indicator provides a visual indication of chemical movement

Highlights

Piping

PVC Schedule 80
(optional CPVC)

Pressure

150 PSI
(10.3 bar)

Compatibility

M1, M2, M3, M4,
MD1, MD3,
MC2, MC3

Frame material

Polyethylene

Mounting position

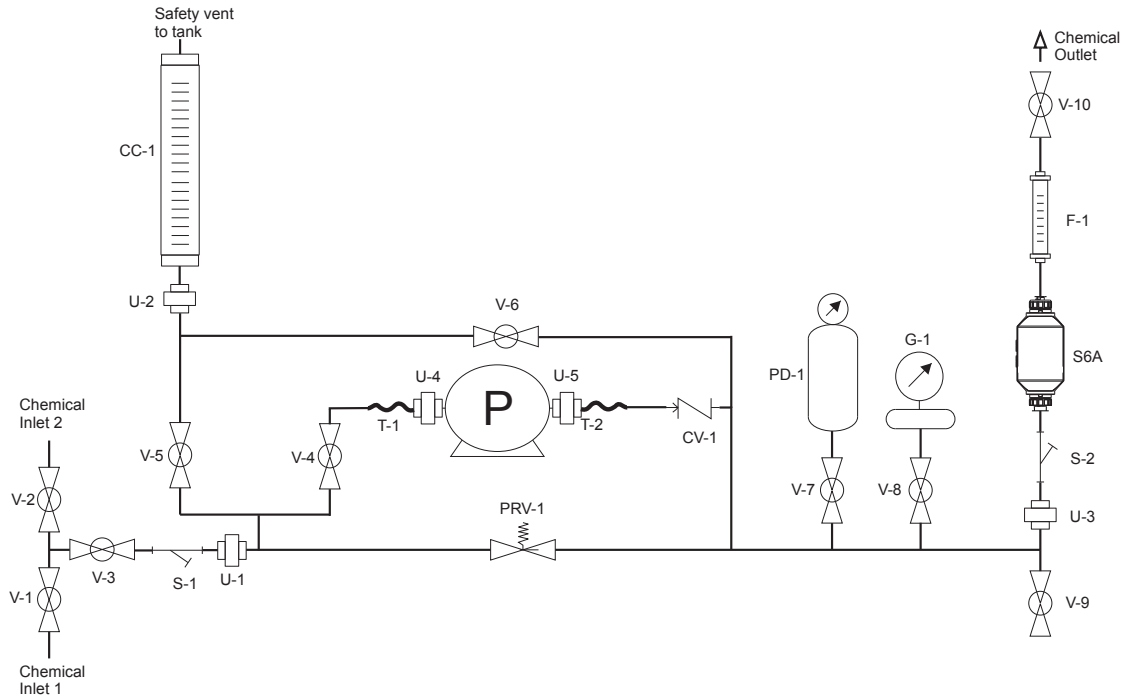
Floor or wall

Warranty

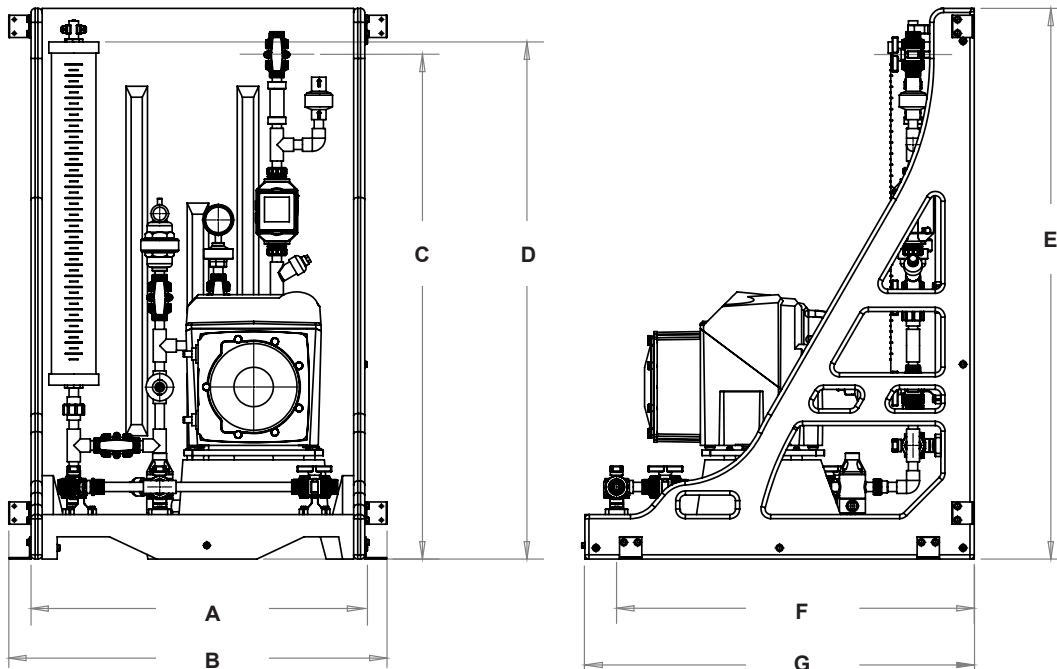
2 Years



Skid	Chemically resistant polyethylene structure
Pump (sold separately)	FLEXFLO® M1, M2, M3 or M4 peristaltic pumps CHEM-FEED® MD1, MC2, MC3 or MD3 diaphragm pumps
Piping	1/2" PVC Schedule 80 (optional CPVC)
Seals	FKM seals (optional EPDM)
Tubing (T)	Reinforced braided PVC, 200 psi max, meets NSF std. 51. The pump inlet and outlet flexible tubing connections are terminated to half unions and secured to the barbed fitting with stainless steel clamps.
Tubing Clamps	300 series SS band, 400 series SS screw
Unions (U)	PVC body, schedule 80
Ball Valves (V)	True unions, PVC body, PTFE shaft bearings and seats
Pressure Relief Valve (PRV)	PVC body, PTFE primary diaphragm seal. Non-wetted components: EPDM secondary seal, zinc plated steel spring, stainless steel external hardware, HDPE pressure adjustment screw. Infinite adjustment from 10-150 psi.
Calibration Cylinder (CC)	PVC body, PVC end caps, 1/2" PVC pipe outlet vent. Available volumes: 1.6 GPH (100ml), 4 GPH (250ml), 8 GPH (500ml), 16 GPH (1000ml), 32 GPH (2000ml), and 64 GPH (4000mL).
Pulsation Dampener (PD)	CPVC body, 10 cubic inch volume
Gauge W/Guard (G)	Gauge: liquid filled stainless steel with blowout plug, bottom mount, 1/4" NPT threads. Available pressure ranges: 0-30 psi, 0-100, psi, 0-200 psi. Guard: PVC body, temperature compensated oil filled.
Check Valve (CV)	PVC body. Cracking pressure: 1.0-1.5 psi Maximum working pressure: inlet = 150 psi, back = 100 psi
Flow Indicator (F)	Machined cast acrylic, PVC connections, ceramic ball, PVDF ball stop, PVC half unions.
Y Strainer (S)	PVC body, 1/32" Mesh
Universal Mounting Blocks	PA 12
Pump Extended Mounting Brackets	316 Stainless Steel
Skid Mounting Foot Pads	316 Stainless Steel
Mounting Hardware	304 Stainless Steel - Wall or Floor mounting acceptable
Maximum Working Pressure	150 psig (10.3 bar)
Operating Temperature	14 °F to 115 °F (-10 °C to 46 °C)
Maximum Overall Dimensions	16-1/8"W x 15-1/4"H x 15-5/16"D (40.9W x 38.7H x 38.9D cm)
Approximate Shipping Weight	Standard: 80 lb. (36 Kg) with mounted pump: 140 lb. (64 Kg)



Dimensions



Dim	Inch	cm	Dim	Inch	cm
A	30.00"	76.20	E	49.50"	125.73
B	34.00"	86.36	F	32.15"	81.65
C	8.87"	22.54	G	35.00"	88.90
D	45.37"	115.24			

Model Number Matrix

CFPS-1

CHEM-FEED® Engineered Plastic Skid System Model Number

CFPS-1	Single pump system - single chemical / single outlet, PE structure										
Piping / Valves / Unions / Seal Materials											
A	PVC piping, 1/2" OD PVC braided tubing connections					D	CPVC piping, 1/4" ID polyethylene tubing connections				
B	CPVC piping, 1/2" OD PVC braided tubing connections					X	Skid frame only without piping				
C	PVC piping, 1/4" ID polyethylene tubing connections										
Seal Material											
V	FKM										
E	EPDM										
Calibration Cylinder			PVC		Glass						
A	64 GPH (4000 ml)		A								
B	32 GPH (2000 ml)		B								
C	16 GPH (1000 ml)		C		P						
D	8 GPH (500 ml)		D		Q						
E	4 GPH (250 ml)		E		R						
F	1.6 GPH (100 ml)		F		S						
X	None										
Pulsation Dampener											
A	10 cubic inch, CPVC body, PTFE diaphragm					X	None				
Pressure Gauge w/Guard											
A	200 PSI gauge with guard, PTFE diaphragm					C	30 PSI gauge with guard, PTFE diaphragm				
B	100 PSI gauge with guard, PTFE diaphragm					X	None				
Flow Meter and Strainer											
G	Model MS612 chemical feed flow meter, 10-5,000 ml/min (0.158 - 79.2 GPH)										
H	Model MS622 chemical feed flow meter, 100-10,000 ml/min (1.58 - 158 GPH)										
X	Inlet strainer only										
Miscellaneous Options (leave blank if not specified)											
1	Install with and ship with a specific pump model					A	Isolation ball shut-off valves at check valves				
2	Perform pressure and fluid testing with a specific pump model					T1	PTFE tubing				
3	Perform pressure, fluid testing, and ship with pump model installed					C1	Terminal box and electrical outlet box				
CFPS-1	A	V	-	A	A	A	G	1	Sample Model Number		