

# S6A

## Chemical Feed Flow Meter



### Features

- > Inline pipe fittings for easy installation
- > Isolated 4-20 mA output - fully configurable
- > Process control via configurable solid state relay
- > User configurable flow rate and total set-point triggers
- > True unions for ease of maintenance

Video link: 

**NEMA 4X**

### Highlights

#### Flow rate

10 - 10,000 mL/min  
(0.158 - 158.5 GPH)

#### Pressure

200 PSI  
(13.78 bar)

#### Body material

PVDF

#### Pipe sizes

1/2" barb, 1/2" M/NPT  
or 1/2" slip

#### Display options

Remote mount or  
meter mount

#### Warranty

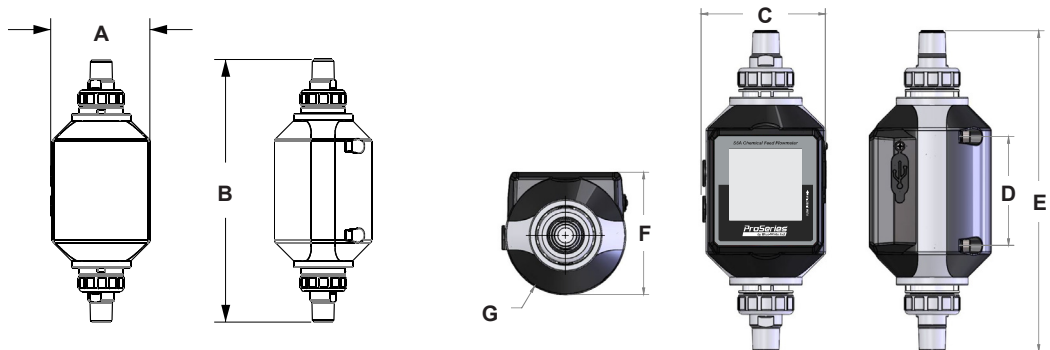
2 Years



<b>General Operation</b>		<b>Electronics / Hardware SPU (Signal Processing Unit):</b>	
<b>Compatible Fluid Types</b>	Acoustically conductive fluids, particulate and bubbles with 50,000 ppm or less	<b>Power Requirements</b>	5 VDC; 5 watts maximum
	Water		Operating Temp: 14 to 104 °F (-10 °C to 40 °C)
	Aqueous Ammonia 10%	<b>Environmental Conditions</b>	Storage: -40 °F to 158 °F (-40 °C to 70 °C)
	Ammonium Hydroxide 30%		Relative Humidity: 0% to 90%
	Ferric Chloride 40%	<b>Volume Units</b>	Independently configurable Rate and Total units in: U.S. Gallons, Liters, or Milliliters.
	Sodium Bisulfite 40%		<b>Time Units</b>
	Sodium Hypochlorite 12.5%	<b>Flow Rate Averaging</b>	Selectable: 1, 4, 8, 16, and 32 seconds.
	Sodium Permanganate 40%		<b>Data Outputs</b>
Hydrofluorosilicic Acid 25%	0-1,000 Hz pulse output - fully configurable		
Ammonium Sulfate 10%			
<b>Blue-Central® Software:</b>		<b>Software Language</b>	
<b>Compatible Operating Systems</b>	Windows 10	English	
	Mac (OSX 10.11/10.12/10.13)	One Solid State Relay	
	Configurable 4-20ma, Pulse Output, Frequency Output,	Load capacity: 24VDC, 100mA max (ex. supplied)	
	Solid State Relay Set-Point	<b>Process Control</b>	
<b>Software Features</b>	Monitor flow rate in real time	Configure to flow rate for high/low/range rate trigger. Programmable release values enable auto release or manual latching operation.	
	Monitor total volume in real time	Configure to flow total for automatically triggered, timed batch operations for proportional feed applications.	
	Monitor meter diagnostics		
	Field Upgradable Firmware		
	Factory Resettable		
<b>Computer Connector</b>	USB-C (USB-A to USB-C cable included)		

## Dimensions

Dim	Inch	cm
A	3.8"	9.7
B	10.0"	25.4
C	3.9"	9.9
D	3.4"	8.6
E	10.02"	25.5
F	3.8"	9.7
G	3.7	9.4



# Materials of Construction

## Wetted Components:

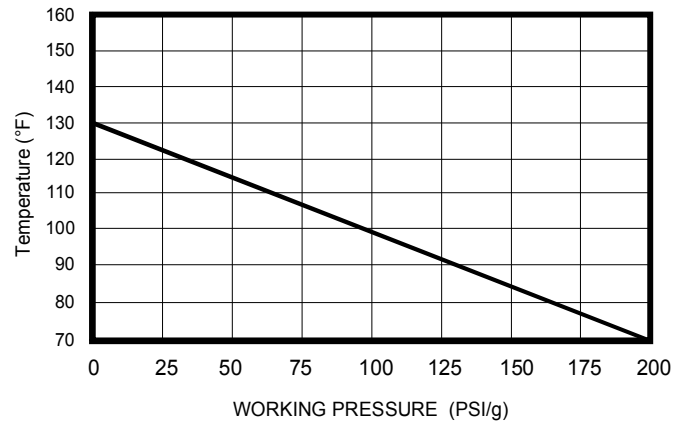
Transducer	PEEK
Body	PVDF
O-Rings	TFE/P (optional EP)
Fittings (Included)	PVDF 1/2" I.D. Barb
	PVDF 1/2" I.D. Barb Elbow
	PVDF 1/2" M/NPT
	PVDF 1/2" M/NPT Elbow
	PVC 1/2" Slip

# Performance

S6A

## S6A Chemical Feed Flow Meter

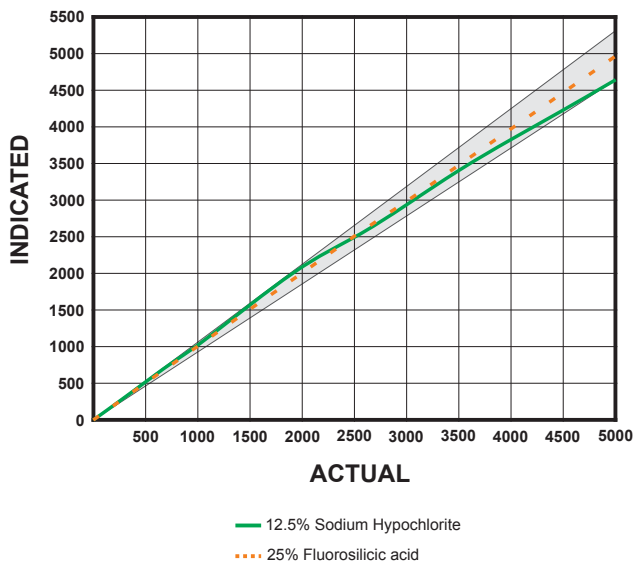
TEMPERATURE VS PRESSURE



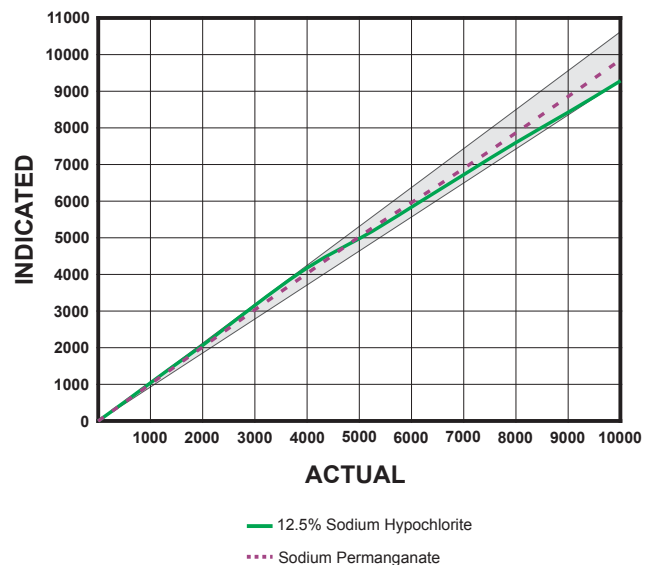
# Performance

## Customized Setpoint Accuracy Charts

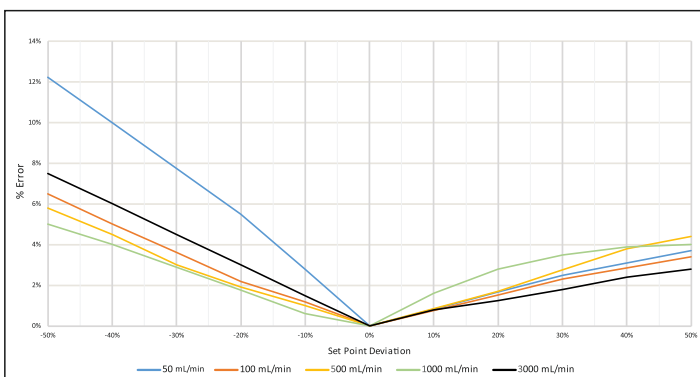
S6A1 ACCURACY RANGE



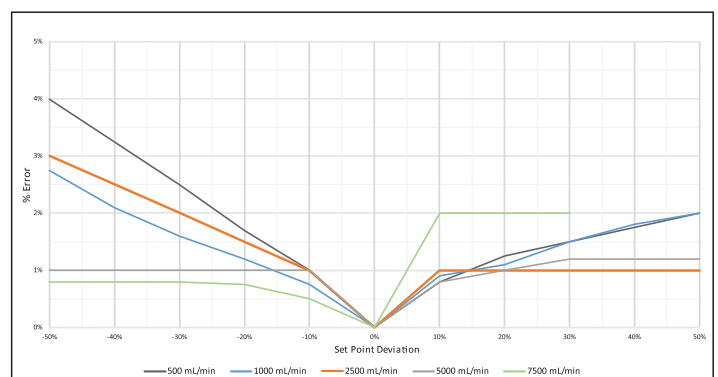
S6A2 ACCURACY RANGE



S6A1 SETPOINT ACCURACY



S6A2 SETPOINT ACCURACY



**NOTE:** Customizing a setpoint allows the user to increase the accuracy of the meter at a targeted feed rate.

# Model Number Matrix

S6A

## Chemical Meter Model Number

<b>S6A</b>	S6A Chemical Feed Flow Meter			
	<b>Flow Range</b>			
	<b>1</b>	10 - 5000 mL/min (0.158 - 79.2 GPH)		
	<b>2</b>	100 - 10,000 mL/min (1.58 - 158.5 GPH)		
		<b>Display Options</b>		
		<b>1</b>	Remote Mount Display	
		<b>2</b>	Meter Mount Display	
		<b>Elastometer Material (O-Ring)</b>		
		<b>V</b>	TFE/P	
		<b>E</b>	EP	
		<b>Meter Fittings</b>		
		<b>X</b>	Standard Equipment - Includes 1/2" I.D. Barb Fittings (Straight & Elbow Adapters), 1/2" MPT Fittings (Straight and Elbow Adapters), 1/2" PVC Slip Male Adapters.	
<b>S6A</b>	<b>1</b>	<b>1</b>	<b>V</b>	<b>X</b> <b>Sample Model Number</b>

## Display Options

