

# A5

## FLEXFLO® Peristaltic Metering Pump



### Features

- > 5" touchscreen color LCD display
- > User-friendly configurations
- > Self priming peristaltic metering pump delivers smooth chemical feed
- > Tube Failure Detection (TFD) system senses tube failure
- > Inputs include: 4-20mA, Pulse Inputs, Industrial Protocols, Remote Start/Stop



### Highlights

**Flow range**

.05 - 540 GPH  
.19 - 2044 LPH

**Pressures**

65 PSI  
(4.4 bar)

**Turndown ratio**

2,500 : 1

**Exclusive**

Tube Failure Detection (TFD)

**Motor**

Brushless DC Motor

**Warranty**

2 Years

### Control Methods

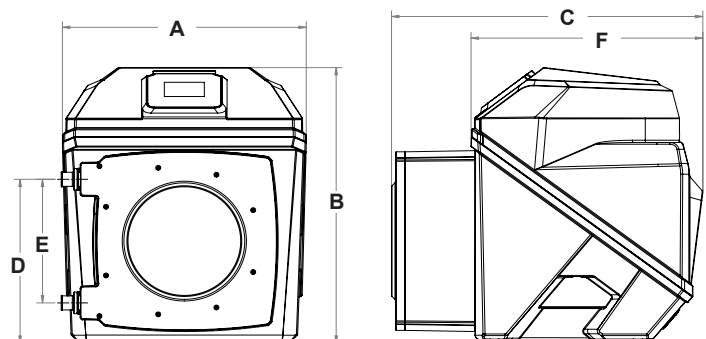
Control Methods	Manual Control	4-20mA Input	Remote Start/Stop	Pulse Input	Frequency Input	Ethernet/IP	Modbus TCP/IP	Profibus	Alarm Outputs
A5	•	•	•	•	•	•	•	•	•



<b>Maximum Working Pressure (excluding pump tubes)</b>	65 psig (4.4 bar) <b>NOTE:</b> See individual pump tube assembly maximum pressure ratings.
<b>Maximum Fluid Temperature (excluding pump tubes)</b>	185 °F (85 °C) <b>NOTE:</b> See individual pump tube assembly max. temperature ratings.
<b>Maximum Viscosity</b>	12,000 Centipoise
<b>Maximum Suction Lift</b>	30 ft. Water, 0 psig (9.14 m, 0 bar)
<b>Ambient Operating Temperature</b>	14 °F to 115 °F (-10 °C to 46 °C)
<b>Ambient Storage Temperature</b>	-40 °F to 158 °F (-40 °C to 70 °C)
<b>Operating Voltage</b>	115VAC/60Hz, 1ph
	230VAC/60Hz, 1ph
	220VAC/50Hz, 1ph
	240VAC/50Hz, 1ph
	230VAC/50Hz, 1ph
<b>Power Cord Options</b>	115V60Hz = NEMA 5/15 (USA)
	230V60Hz = NEMA 6/15 (USA)
	220V50Hz = CEE 7/VII (EU)
	240V50Hz = AS 3112 (Australia/New Zealand)
<b>Motor</b>	Brushless DC, .6 hp
	230V50Hz = BS 1363/A (UK)
<b>Motor Speed Adjustment Range</b>	2,500:1 (0.04% - 100% motor speed) Max RPM = 75
<b>Motor Speed Adjustment Resolution</b>	0.1% increments > 1% motor speed and < 100%
	0.01% increments < 1% motor speed
<b>Display</b>	5" touchscreen color LCD, UV resistant.
<b>Display Languages</b>	English, Spanish, French, German, and Portuguese selectable
<b>Maximum Overall Dimensions</b>	25.7"W x 30.1"H x 32.8"D (65.2W x 76.4H x 83.3D cm)
<b>Product Weight</b>	178 lb. (80.7 Kg)
<b>Security</b>	Programmable 6-digit password
<b>Approximate Shipping Weight</b>	340 lb. (154 Kg)
<b>Enclosure</b>	NEMA 4X (IP66), Kydex
<b>RoHS Compliant</b>	Yes
<b>Standards</b>	cETLus, CE

## Dimensions

Dim	Inch	cm	Dim	Inch	cm
A	25.7"	65.2	D	17.9"	45.4
B	30.1"	76.4	E	13.5"	34.3
C	32.8"	83.3	F	24.4"	62.0



## Non-wetted Components:

**Enclosure:** Kydex

**Pump Head:** GF Noryl

**Pump Head Cover:** Acrylic

Permanently lubricated sealed motor shaft support ball bearing.

**Cover Screws:** Stainless steel, polypropylene cap

## Roller Assembly:

Rotor: GF Noryl

Rollers: Nylon

Roller Bearings: SS Ball bearings

**Motor Shaft:** Chrome plated steel

**TFD System Sensor:** Hastelloy C-276

**Power Cord:** 3 conductor, SJTW-A water-resistant

**Mounting Brackets and Hardware:** 316 Stainless steel

## Wetted Components:

### Pump Tube Assembly:

Tubing: Flex-A-Prene®, Flex-A-Chem® or Flex-A-Thane®

Adapter Fittings: Polypropylene

O-Rings: FKM (Optional EP)

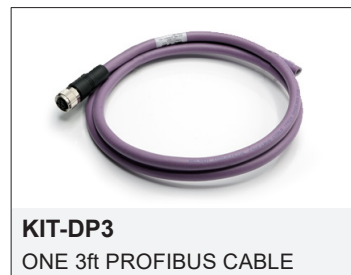
## Output Specifications

	Feed Rate		Max Pressure	Max Temperature	Tube Material / Size
	GPH	LPH	PSI (bar)	°F (°C)	
<b>Flex-A-Prene® A5 Tube Pumps</b>					
.22 - 540	.82 - 2044	13.6 - 34069	30 (2.1)	185 (85)	NPP
.16 - 392	.59 - 1484	9.9 - 24731	50 (3.4)	185 (85)	NLL
.06 - 150	.23 - 568	3.8 - 9464	65 (4.5)	185 (85)	NHHL
<b>Flex-A-Chem® A5 Tube Pumps</b>					
.05 - 125	.19 - 473	3.2 - 7886	30 (2.1)	130 (54)	THH
.16 - 315	.48 - 1192	8.0 - 19873	30 (2.1)	130 (54)	TKKL
<b>Flex-A-Thane® A5 Tube Pumps</b>					
.11 - 264	.4 - 999	6.7 - 16656	65 (4.5)	130 (54)	GKK

## Model Number

<b>A5</b>	FLEXFLO® Peristaltic metering pump							
<b>Power Cord (operating voltage user selectable 115V/240 VAC 50/60Hz)</b>								
<b>4</b>	115V / 60Hz, power cord NEMA 5/15 plug (US)	<b>8</b>	240V / 50HZ, power cord AS 3112 plug (AU/New Zealand)					
<b>5</b>	230V / 60Hz, power cord NEMA 6/15 plug (US)	<b>9</b>	230V / 50HZ, power cord BS 1363/A plug (UK)					
<b>6</b>	220V / 50HZ, power cord CEE 7/VII plug (EU)	<b>X</b>	No Power Cord					
<b>Inlet/Outlet Connection Size, Connection Type, Connection Material</b>								
<b>M</b>	1.5" Male NPT Fitting, Polypropylene, FKM O-rings							
<b>B</b>	1.5" Hose Barb, Polypropylene, FKM O-rings							
<b>Pump Tube Material, Pump Tube Size, Output Range, Pressure</b>								
<b>NPP</b>	Flex-A-Prene® .750 ID   .22– 540 GPH   30 PSI							
<b>NLL</b>	Flex-A-Prene® .500 ID   .16 – 392 GPH   50 PSI							
<b>NHHL</b>	Flex-A-Prene® .250 ID   .06 – 150 GPH   65 PSI							
<b>THH</b>	Flex-A-Chem® .250 ID   .05 – 125 GPH   30 PSI							
<b>TKKL</b>	Flex-A-Chem® .375 ID   .13 – 315 GPH   30 PSI							
<b>GKK</b>	Flex-A-Thane® .375 ID   .11 – 264 GPH   50 PSI							
<b>Options</b> (leave this blank for standard model with left facing pump head inlet/outlet)								
<b>R</b>	Right facing pump head, input / output (Left facing fluid input / output is standard)							
<b>E</b>	EP O-rings							
<b>A5</b>	<b>S</b>	<b>2</b>	<b>4</b>	<b>-</b>	<b>M</b>	<b>NPP</b>	<b>R</b>	<b>Sample Model Number</b>

## Accessories



\***KIT-M12-3** Three M12 Cables and **KIT-M12-6** Six M12 Cables also available.

**NOTE:** Accessories sold separately.