

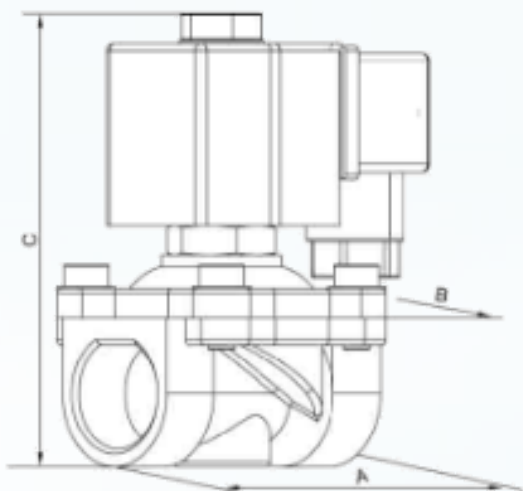
Key Features

- ✓ Forged body for durability and high pressure applications
- ✓ Valve body Material: BRASS
- ✓ Two ways, normally closed
- ✓ Working Pressure 0 ~ 10 Bar
- ✓ Rated protection: IP65, watertight electrical enclosure
- ✓ Closing feature minimizes water-hammer on shut-off
- ✓ Working Voltage: AC230V, AC240V (50Hz/60Hz), DC24V, AC24V



Model	Size	(mm)	Pressure AC / DC	Length (L) mm	Width (W) mm	Height (H) mm	Weight (Kg)
2W31PL-10	3/8"	10	0 ~ 10 Bar / 1 ~ 8 Bar	68	56	95	0.65
2W31PL-15	1/2"	15	0 ~ 10 Bar / 1 ~ 8 Bar	68	56	95	0.63
2W31PL-20	3/4"	20	0 ~ 10 Bar / 1 ~ 8 Bar	68	56	102	0.69
2W31PL-25	1"	25	0 ~ 10 Bar / 1 ~ 8 Bar	95	72	115	0.94

Dimensions



Specifications

- Rated protection: IP65
- Sealing Material: NBR
- Temperature: From -5 to 80°C
- Durability: Water, Liquid, Air, Light oil
- Working Pressure: 0 ~ 10 Bar
- Optional sealing:
Viton/ EPDM From -10 to 120°C