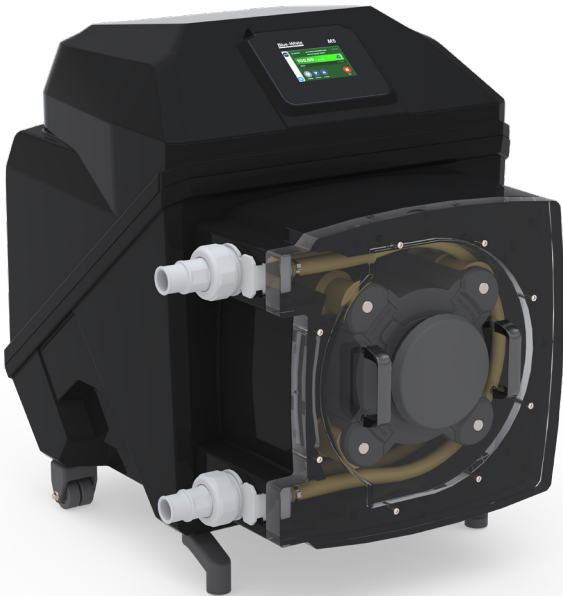


M5

FLEXFLO® Peristaltic Metering Pump



Features

- > 5" touchscreen color LCD display
- > User-friendly configurations
- > Self priming peristaltic metering pump delivers smooth chemical feed
- > Tube Failure Detection (TFD) system senses tube failure
- > Inputs include: 4-20mA, Pulse Inputs, Industrial Protocols, Remote Start/Stop



NEMA 4X

Highlights

Flow range

.02 - 540 GPH
.05 - 2044 LPH

Pressures

65 PSI
(4.4 bar)

Turndown ratio

10,000 : 1

Exclusive

Tube Failure Detection (TFD)

Motor

Brushless DC Motor

Warranty

5 Years

Control Methods

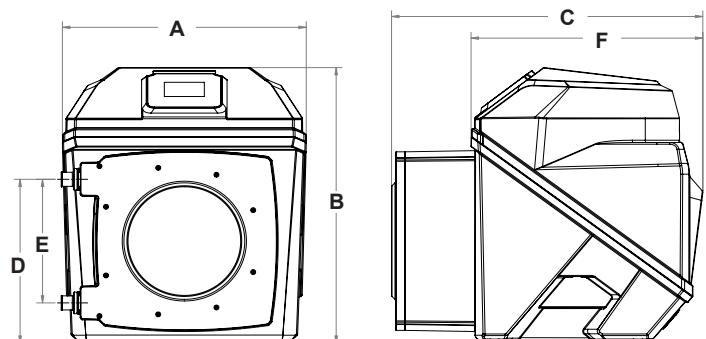
Control Methods	Manual Control	4-20mA Input	Remote Start/Stop	Pulse Input	Frequency Input	Ethernet/IP	Modbus TCP/IP	Profibus	Alarm Outputs
M5	•	•	•	•	•	•	•	•	•



Maximum Working Pressure (excluding pump tubes)	65 psig (4.4 bar) NOTE: See individual pump tube assembly maximum pressure ratings.
Maximum Fluid Temperature (excluding pump tubes)	185 °F (85 °C) NOTE: See individual pump tube assembly max. temperature ratings.
Maximum Viscosity	12,000 Centipoise
Maximum Suction Lift	30 ft. Water, 0 psig (9.14 m, 0 bar)
Ambient Operating Temperature	14 °F to 115 °F (-10 °C to 46 °C)
Ambient Storage Temperature	-40 °F to 158 °F (-40 °C to 70 °C)
Operating Voltage	115VAC/60Hz, 1ph
	230VAC/60Hz, 1ph
	220VAC/50Hz, 1ph
	240VAC/50Hz, 1ph
	230VAC/50Hz, 1ph
Power Cord Options	115V60Hz = NEMA 5/15 (USA)
	230V60Hz = NEMA 6/15 (USA)
	220V50Hz = CEE 7/VII (EU)
	240V50Hz = AS 3112 (Australia/New Zealand)
Motor	Brushless DC, .6 hp
	10,000:1 (0.01% - 100% motor speed) Max RPM = 75
Motor Speed Adjustment Range	0.1% increments > 1% motor speed and < 100%
Motor Speed Adjustment Resolution	0.01% increments < 1% motor speed
Display	5" touchscreen color LCD, UV resistant.
Display Languages	English, Spanish, French, German, and Portuguese selectable
Maximum Overall Dimensions	25.7"W x 30.1"H x 32.8"D (65.2W x 76.4H x 83.3D cm)
Product Weight	178 lb. (80.7 Kg)
Security	Programmable 6-digit password
Approximate Shipping Weight	340 lb. (154 Kg)
Enclosure	NEMA 4X (IP66), Kydex
RoHS Compliant	Yes
Standards	cETLus, CE, NSF61

Dimensions

Dim	Inch	cm	Dim	Inch	cm
A	25.7"	65.2	D	17.9"	45.4
B	30.1"	76.4	E	13.5"	34.3
C	32.8"	83.3	F	24.4"	62.0



Non-wetted Components:

Enclosure: Kydex

Pump Head: GF Noryl

Pump Head Cover: Acrylic

Permanently lubricated sealed motor shaft support ball bearing.

Cover Screws: Stainless steel, polypropylene cap

Roller Assembly:

Rotor: GF Noryl

Rollers: Nylon

Roller Bearings: SS Ball bearings

Motor Shaft: Chrome plated steel

TFD System Sensor: Hastelloy C-276

Power Cord: 3 conductor, SJTW-A water-resistant

Mounting Brackets and Hardware: 316 Stainless steel

Wetted Components:

Pump Tube Assembly:

Tubing: Flex-A-Prene®, Flex-A-Chem® or Flex-A-Thane®

Adapter Fittings: Polypropylene

O-Rings: FKM (Optional EP)

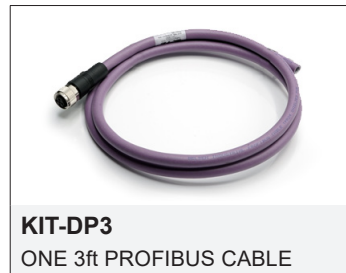
Output Specifications

	Feed Rate		Max Pressure	Max Temperature	Tube Material / Size
	GPH	LPH	PSI (bar)	°F (°C)	
Flex-A-Prene® M5 Tube Pumps					
.06 - 540	.21 - 2044	3.4 - 34069	30 (2.1)	185 (85)	NPP
.04 - 392	.15 - 1484	2.5 - 24731	50 (3.4)	185 (85)	NLL
.02 - 150	.06 - 568	.95 - 9464	65 (4.5)	185 (85)	NHHL
Flex-A-Chem® M5 Tube Pumps					
.02 - 125	.05 - 473	.79 - 7886	30 (2.1)	130 (54)	THH
.04 - 315	.12 - 1192	2.0 - 19873	30 (2.1)	130 (54)	TKKL
Flex-A-Thane® M5 Tube Pumps					
.03 - 264	.1 - 999	1.8 - 16656	65 (4.5)	130 (54)	GKK

Model Number

M5	FLEXFLO® Peristaltic metering pump							
Power Cord (operating voltage user selectable 115V/240 VAC 50/60Hz)								
4	115V / 60Hz, power cord NEMA 5/15 plug (US)			8	240V / 50HZ, power cord AS 3112 plug (AU/New Zealand)			
5	230V / 60Hz, power cord NEMA 6/15 plug (US)			9	230V / 50HZ, power cord BS 1363/A plug (UK)			
6	220V / 50HZ, power cord CEE 7/VII plug (EU)			X	No Power Cord			
Inlet/Outlet Connection Size, Connection Type, Connection Material								
M	1.5" Male NPT Fitting, Polypropylene, FKM O-rings							
B	1.5" Hose Barb, Polypropylene, FKM O-rings							
Pump Tube Material, Pump Tube Size, Output Range, Pressure								
NPP	Flex-A-Prene® .750 ID .05 – 540 GPH 30 PSI							
NLL	Flex-A-Prene® .500 ID .04 – 392 GPH 50 PSI							
NHHL	Flex-A-Prene® .250 ID .02 – 150 GPH 65 PSI							
THH	Flex-A-Chem® .250 ID .02 – 125 GPH 30 PSI							
TKKL	Flex-A-Chem® .375 ID .04 – 315 GPH 30 PSI							
GKK	Flex-A-Thane® .375 ID .03 – 264 GPH 50 PSI							
Options (leave this blank for standard model with left facing pump head inlet/outlet)								
R	Right facing pump head, input / output (Left facing fluid input / output is standard)							
E	EP O-rings							
M5	S	2	4	-	M	NPP	R	Sample Model Number

Accessories



***KIT-M12-3** Three M12 Cables and **KIT-M12-6** Six M12 Cables also available.

NOTE: Accessories sold separately.