

CFWS-1

CHEM-FEED® Wall Mount Simplex Skid System



Video link: 

Features

- > Chemically resistant polyethylene structure
- > Leak free, threadless connections
- > Pressure Relief Valve protects the system from over-pressurization
- > Check Valve protects the user from back-flow
- > Optional Flow Sensor for monitoring chemical flow
- > Included handles for easy installation

Highlights

Piping

PVC Schedule 80
(optional CPVC, PVDF,
and CHEM PROLINE®)

Pressure

150 PSI
(10.3 bar)

Compatibility

M1, M2, M3, M4,
MD1, MD3,
MC2, MC3

Frame material

Polyethylene

Mounting position

Wall

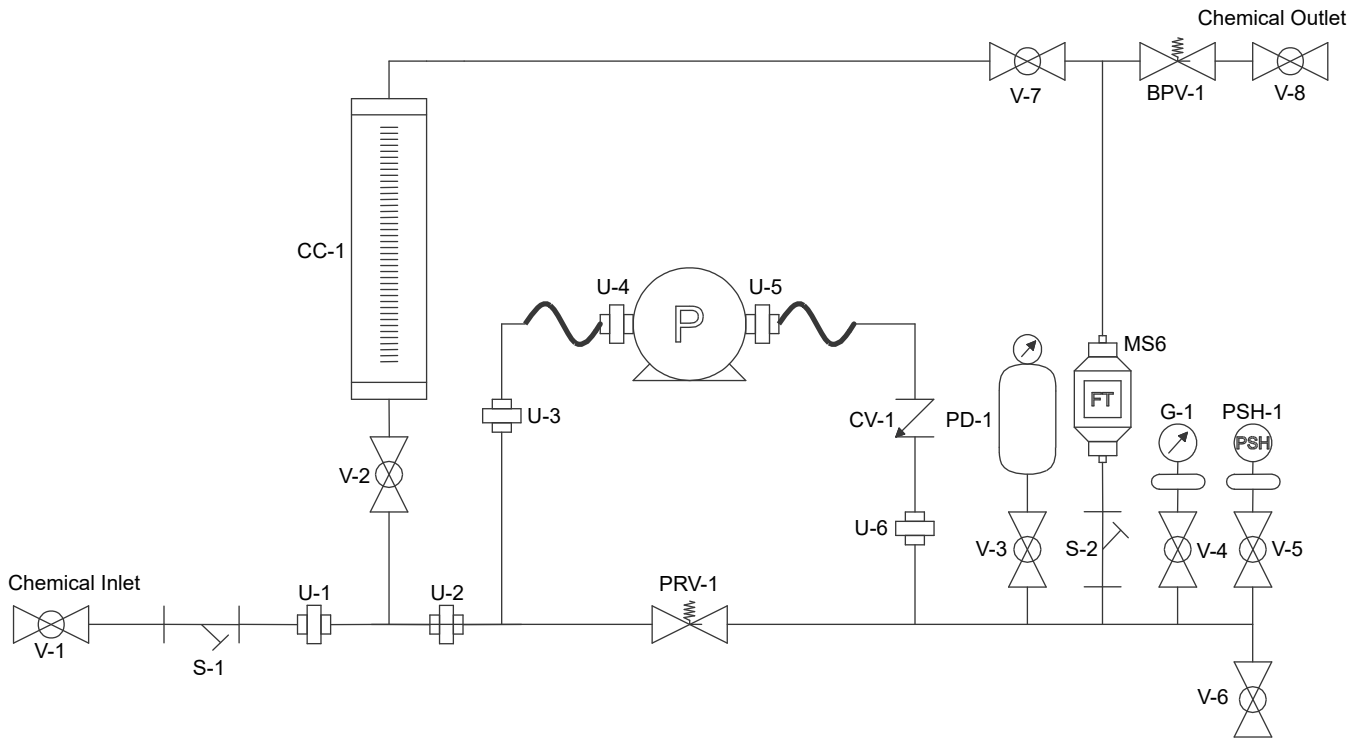
Warranty

2 Years

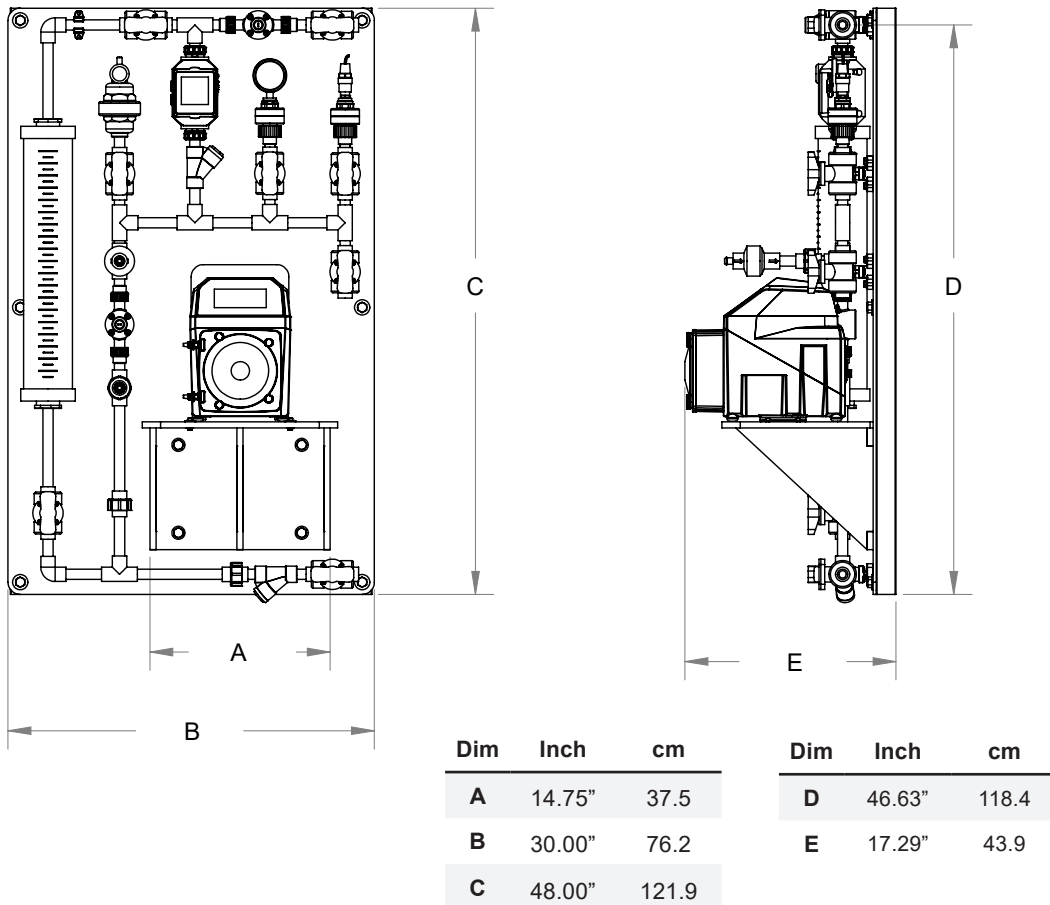


Skid	Chemically resistant polyethylene structure
Pump (sold separately)	FLEXFLO® M1, M2, M3 or M4 peristaltic pumps CHEM-FEED® MD1, MC2, MC3 or MD3 diaphragm pumps
Piping	1/2" PVC Schedule 80 (optional CPVC, PVDF, CHEM PROLINE®)
Seals	FKM seals (optional EPDM)
Tubing (T)	Reinforced braided PVC, 200 psi max, meets NSF std. 51. The pump inlet and outlet flexible tubing connections are terminated to half unions and secured to the barbed fitting with stainless steel clamps. (Optional: 1/2" PTFE, 1/4" PE, 1/4" PTFE)
Tubing Clamps	300 series SS band, 400 series SS screw
Unions (U)	PVC body, schedule 80 (optional CPVC, PVDF)
Ball Valves (V)	True unions, PVC body, PTFE shaft bearings and seats (optional CPVC, PVDF)
Pressure Relief Valve (PRV)	PVC body, PTFE primary diaphragm seal. Non-wetted components: EPDM secondary seal, zinc plated steel spring, stainless steel external hardware, HDPE pressure adjustment screw. Infinite adjustment from 10-150 psi. (optional CPVC, PVDF)
Calibration Cylinder (CC)	PVC body, PVC end caps, 1/2" PVC pipe outlet vent. Available volumes: 1.6 GPH (100ml), 4 GPH (250ml), 8 GPH (500ml), 16 GPH (1000ml), 32 GPH (2000ml), and 64 GPH (4000mL). (Optional Glass)
Pulsation Dampener (PD)	CPVC body, 10 cubic inch volume (optional PVDF)
Gauge W/Guard (G)	Gauge: liquid filled stainless steel with blowout plug, bottom mount, 1/4" NPT threads. Available pressure ranges: 0-30 psi, 0-100, psi, 0-200 psi. Guard: PVC body, temperature compensated oil filled. (optional CPVC, PVDF)
Check Valve (CV)	PVC body. Cracking pressure: 1.0-1.5 psi Maximum working pressure: inlet = 150 psi, back = 100 psi (optional CPVC, PVDF)
Flow Sensor (MS6)	Available Flow Ranges: 10 - 5,000 ml/min, 100-10,000 ml/min
Y Strainer (S)	PVC body, 1/32" Mesh (optional CPVC, PVDF)
Pressure Switch (PSH)	316 Stainless Steel
Back-Pressure Valve (BPV)	PVC body, 0-150 PSI Range (optional CPVC, PVDF)
Universal Mounting Blocks	PA 12
Pump Extended Mounting Brackets	316 Stainless Steel
Skid Mounting Brackets	316 Stainless Steel
Mounting Hardware	304 Stainless Steel
Maximum Working Pressure	150 psig (10.3 bar)
Operating Temperature	14 °F to 115 °F (-10 °C to 46 °C)
Maximum Overall Dimensions	30" W x 48" H x 17.29" D (76.2W x 121.9H x 43.9D cm)
Skid Weight	45 lb. (Not including pump)
Approximate Shipping Weight	230 lb. (105 kg) (Pumps ship separately)
Approximate Shipping Dimensions	17" x 32" x 50" (Pumps ship separately)

Piping and Instrumentation Diagrams



Dimensions



Model Number Matrix

CFWS-1

CHEM-FEED® Simplex Wall Skid System Matrix

CFWS-1	Single pump system - single chemical / single outlet, PE structure													
Inlet/Outlet														
A	Single Inlet / Single Outlet													
X	None, Skid Panel Only													
Piping/Unions														
A	PVC			C	PVDF									
B	CPVC			D	CHEM PROLINE®									
Seals														
V	FKM			E	EPDM									
Tubing Connections														
A	1/2" ID PVC Braided			C	1/4" ID PE									
B	1/2" ID PTFE			D	1/4" ID PTFE									
Calibration Column														
A	64 GPH (4000 ml) PVC			F	1.6 GPH (100 ml) PVC									
B	32 GPH (2000 ml) PVC			P	16 GPH (1000 ml) Glass									
C	16 GPH (1000 ml) PVC			Q	8 GPH (500 ml) Glass									
D	8 GPH (500 ml) PVC			R	4 GPH (250 ml) Glass									
E	4 GPH (250 ml) PVC			S	1.6 GPH (100 ml) Glass									
Pulsation Dampener														
P	10 cubic in			X	Not Included									
Back Pressure Valve														
B	Included			X	Not Included									
Pressure Gauge w/Guard														
A	200 PSI			B	100 PSI			C	30 PSI					
Pressure Switch w/Guard														
S	Included			X	Not Included									
Flow Meter w/Strainer														
A	10-5000 mL/min													
B	100-10000 mL/min													
X	Not Included													
CFWS-1	M	A	A	V	A	A	P	B	A	S	A	X	X	Sample Model Number

NOTE: When ordering pumps for skids, pump head orientation is standard LEFT facing only.