

F-1000

INSTRUCTION MANUAL



Blue-White[®]
Industries, Ltd.

5300 Business Drive
Huntington Beach, CA 92649
USA

Phone: 714-893-8529 **FAX:** 714-894-9492

E mail: sales@blue-white.com or techsupport@blue-white.com

Website: www.blue-white.com

TABLE OF CONTENTS

| <u>SECTION</u> | <u>HEADING</u> | <u>PAGE</u> |
|-----------------------|---|--------------------|
| 1..... | Introduction..... | 2 |
| 2..... | Specifications..... | 3 |
| 3..... | Features..... | 4 |
| 4..... | How to install the meter..... | 5 |
| 4.1..... | Mounting location..... | 5 |
| 4.2..... | Pipe Flow Stream Requirements..... | 6 |
| 4.3..... | How to install Your Saddle Fitting..... | 8 |
| 4.3.1..... | Drill the Mounting Hole..... | 9 |
| 4.3.2..... | Install the Saddle..... | 9 |
| 4.3.3..... | Check the Saddle Alignment..... | 9 |
| 4.3.4..... | Install the Sensor..... | 10 |
| 4.4..... | Installing the Molded In-Line Fitting (MI)..... | 10 |
| 4.5..... | How to Install Molded PVC Tee Fitting..... | 11 |
| 5..... | How to Operate the meter..... | 12 |
| 6..... | Flow Ranges..... | 9 - 10 |
| 7..... | Maintenance..... | 15 |
| 8..... | Troubleshooting..... | 14 |
| 9..... | Replacement Parts List..... | 16 |

1.0 INTRODUCTION TO THE F-1000

Congratulations on purchasing the F-1000 electronic flow meter. The F-1000 is designed to measure the flow of a fluid in a pipe. The meter is factory calibrated to any engineering units and displays the rate of flow or the total of flow on a 6 digit LCD display. Two AAA batteries power the unit for up to one year. There are three models are available:

F-1000-RB is a rate meter - designed to measure and display the rate of flow.

F-1000-TB is a totalizer meter - designed to measure and display the total flow.

F-1000-RT is a rate/totalizer meter - designed to measure and display both the rate of flow and the total flow.

2.0 SPECIFICATIONS

| | |
|----------------------------|--|
| Maximum Working Pressure* | 300 psig / 20.7 bar |
| Maximum Fluid Temperature* | 200° F / 93.3° C - Saddle and sensor only 200° F / 93.3° C - When mounted on polypropylene and PVDF inline units. 140° F / 60° C - When mounted on molded PVC tee units or PVC pipe. |
| Ambient Temperature Range | 32° to 110° F / 0° to 43° C |
| Enclosure | NEMA 4X (acceptable for outdoor use) NOTE: Protect the LCD display from direct sunlight. |
| Accuracy | +/-2% of full scale rate reading |
| Repeatability | +/-1% of full scale rate reading |
| Power Requirements | Two standard AAA alkaline batteries (included) |
| Battery Life Expectancy | 1 year minimum |

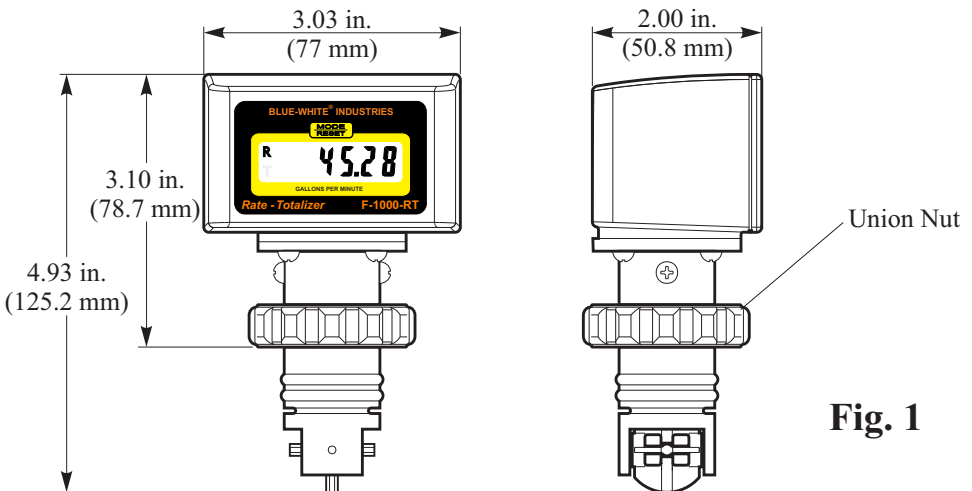


Fig. 1

3. FEATURES

- Easy to read .35" high, six digit LCD display
- Installs quickly on existing pipe
- Factory calibrated - nothing to program
- Minimal maintenance required
- No pressure drop
- Weather resistant enclosure
- Corrosion resistant PVDF sensor, ABS enclosure
- High accuracy
- Large calibrated flow range

*Temperature vs. Pressure

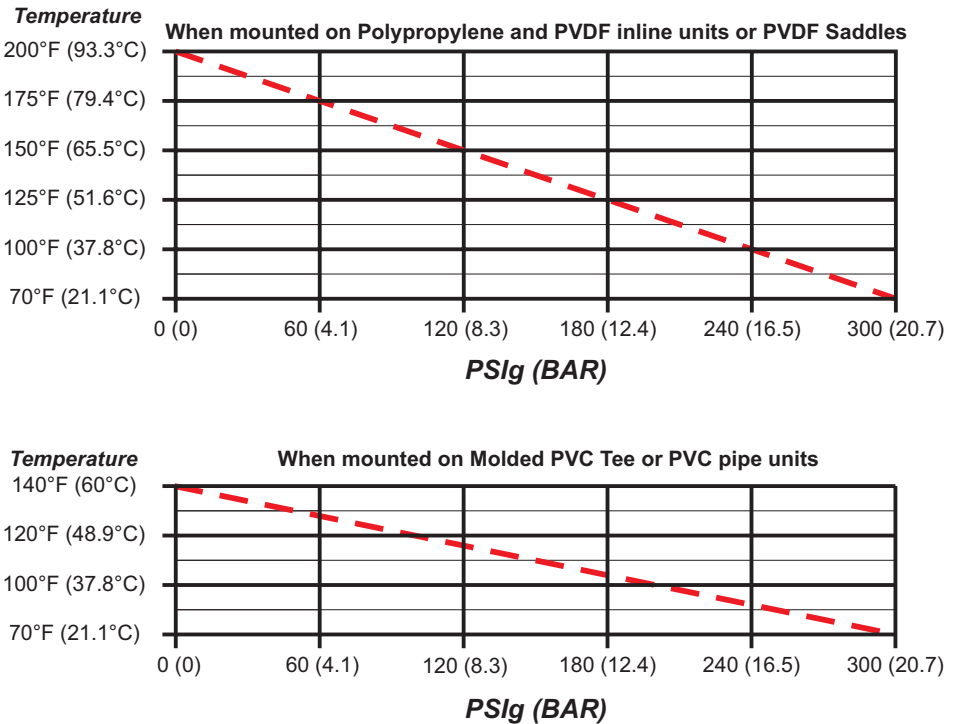


Fig. 2

*Pressure and temperature limits are inversely proportional.

4.0 HOW TO INSTALL THE F-1000

4.1 MOUNTING LOCATION

Note: All diagrams are strictly for guideline purposes only. Always consult an expert before installing the F-1000 on specialized systems.

Note: The F-1000 should be serviced by qualified persons only.

Although the F-1000 is designed to withstand outdoor conditions, a cool, dry location where the unit can be easily serviced is recommended. The life of the LCD display will be severely reduced when installed in direct sunlight. Do not install the meter so that the LCD is in direct sunlight.

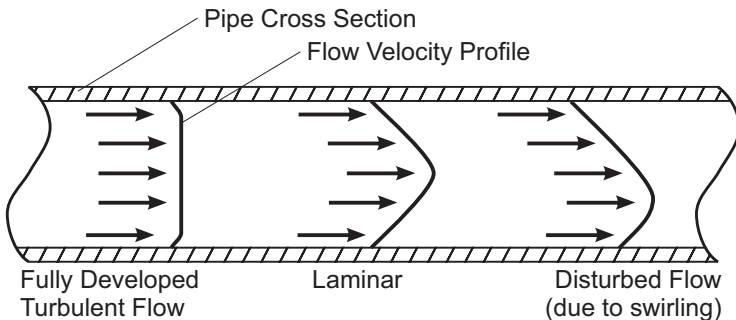
- The F-1000 can be mounted on horizontal or vertical runs of pipe (see figure 4, 5 and 6). Mounting anywhere around the diameter of vertical pipe is acceptable, however, the pipe must be completely full of water at all times. Back pressure is essential on downward flows.
- The F-1000 accuracy is affected by disturbances such as pumps, elbows, tees, valves in the flow stream. Install the meter in a straight run of pipe as far as possible from any disturbances. The distance required for accuracy will depend on the type of disturbance.

| Type Of Disturbance | Minimum Inlet Pipe Length | Minimum Outlet Pipe Length |
|------------------------------|---------------------------|----------------------------|
| Flange | 10 X Pipe I.D. | 5 X Pipe I.D. |
| Reducer | 15 X Pipe I.D. | 5 X Pipe I.D. |
| 90 Elbow | 20 X Pipe I.D. | 5 X Pipe I.D. |
| Two 90 Elbow - 1 Direction | 25 X Pipe I.D. | 5 X Pipe I.D. |
| Two 90 Elbows - 2 Directions | 40 X Pipe I.D. | 5 X Pipe I.D. |
| Pump or Gate ValvesValves | 50 X Pipe I.D. | 5 X Pipe I.D. |

- The pipe must be completely full at all times. Air bubbles or air pockets in the flow stream will adversely affect the reading. A small amount of back pressure is recommended in horizontal runs of pipe.
- The F-1000 is powered by two AAA batteries. Life expectancy is one year minimum.

4.2 PIPE FLOW STREAM REQUIREMENTS

- The F-1000 accuracy is based on steady, undisturbed flow with a fully developed turbulent flow profile. Pulsating, swirling and other disruptions in the flow stream will effect the meter's accuracy.
- The F-1000 is factory calibrated to $\pm 2\%$ of full scale rate reading. When measuring total flow, accumulated error over time must be considered. Accuracy is based on laboratory testing of nominal pipe dimensions. Your actual accuracy will vary based on your actual pipe I.D. And other installation factors.
- There are two basic types of flow profiles; turbulent and laminar (see figure 3). Turbulent flow exists when the speed of the fluid flowing in the pipe is nearly constant across the entire width of the pipe. This is typical of low viscosity fluids; like water, flowing at high velocity. Laminar flow exists when the speed of the fluid flowing in the center of the pipe is greater than the speed of the fluid at the outer edge near the pipe wall. This is typical of high viscosity fluids flowing at low velocity. Because the F-1000 is measuring the fluid near the pipe wall only (especially in larger pipe sizes), a constant flow velocity across the flow stream is required.



To determine which type of flow exists in your installation, the following is required:

Flow rate of the fluid in GPM - Q

Specific gravity of the fluid - G

Pipe inside diameter in inches - D

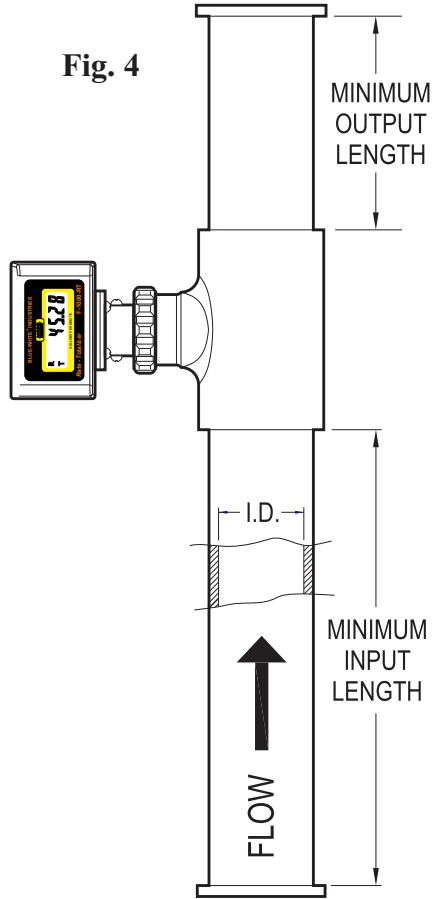
Fluid viscosity in centepoise - V

Use the following equation to determine the REYNOLDS NUMBER:

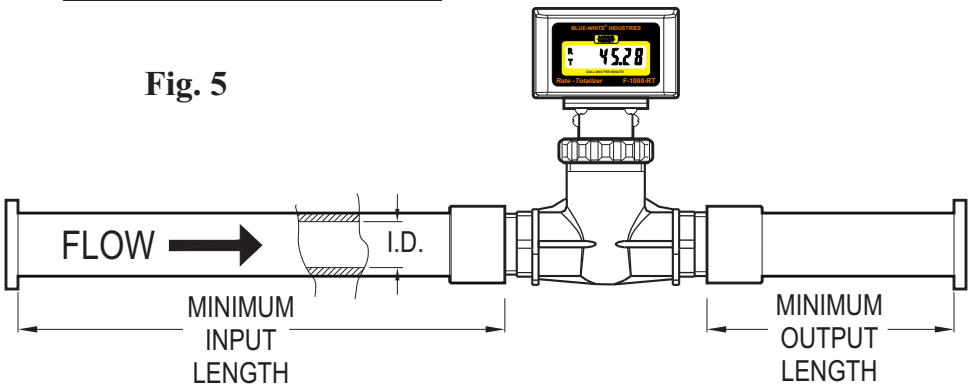
$$\text{REYNOLDS NUMBER} = \frac{3160 \times Q \times G}{D \times V}$$

Flow conditions with a Reynolds Number greater than 4000 is fully developed turbulent flow. A Reynolds Number less than 2000 is laminar flow. The F-1000 requires a Reynolds number greater than 4000 to maintain accuracy.

Vertical Mount



Horizontal Mount



4.3 HOW TO INSTALL YOUR F-1000 SADDLE FITTING

The F-1000 saddle is designed to mount on smooth schedule 40 IPS pipe, schedule 80 IPS pipe (ASTM-D-1785) , PN10 metric pipe or PN16 metric pipe (DIN 8062). The outside of the pipe must be clean, smooth and free of surface imperfections. The outside diameter must be as specified to ensure a leak free installation. The inside diameter must be as specified to ensure meter accuracy.

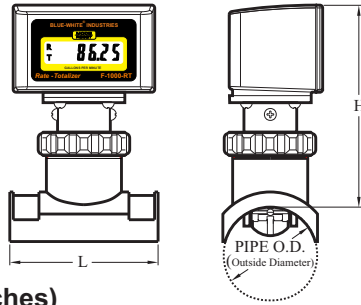


Fig. 7

I.P.S. Pipe Sizes (in inches)

(ASTM-D-1785)

| Nominal Pipe Size | Length | Height | Schedule 40 | | Schedule 80 | |
|-------------------|---------|---------|------------------|-----------------|------------------|-----------------|
| | | | Outside Diameter | Inside Diameter | Outside Diameter | Inside Diameter |
| 1-1/2" | 3-3/16" | 4-5/16" | 1.900 | 1.610 | 1.900 | 1.500 |
| 2" | 3-3/16" | 4-5/16" | 2.375 | 2.067 | 2.375 | 1.939 |
| 2.5" | 3-3/16" | 4-5/16" | 2.500 | 2.469 | 2.500 | 2.323 |
| 3" | 3-3/16" | 4-5/16" | 3.500 | 3.068 | 3.500 | 2.900 |
| 4" | 3-3/16" | 4-5/16" | 4.500 | 4.026 | 4.500 | 3.826 |
| 6" | 3-3/16" | 4-1/4" | 6.625 | 6.065 | 6.625 | 5.761 |
| 8" | 3-3/16" | 4-1/4" | 8.625 | 7.981 | 8.625 | 7.625 |
| 10" | 4-1/2" | 4-1/4" | 10.750 | 10.020 | 10.750 | 9.564 |
| 12" | 4-1/2" | 4-1/4" | 12.750 | 11.938 | 12.750 | 11.376 |

Metric Pipe Sizes (in millimeters)

(DIN 8062)

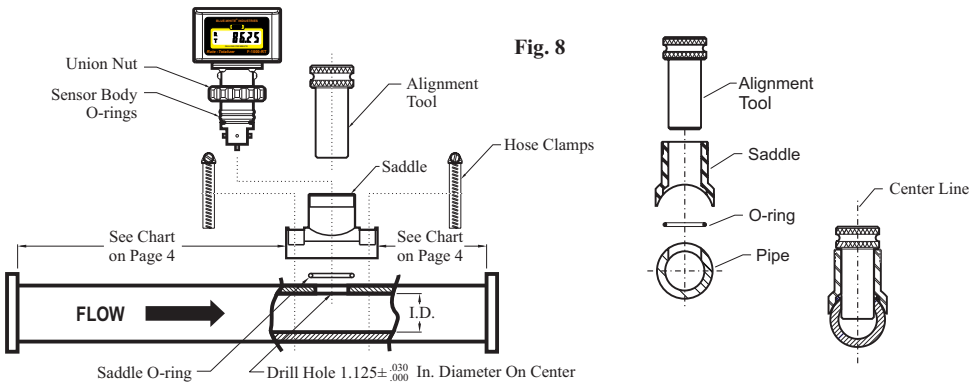
| Nominal Pipe Size | Length | Height | Pn10 | | Pn16 | |
|-------------------|--------|--------|------------------|-----------------|------------------|-----------------|
| | | | Outside Diameter | Inside Diameter | Outside Diameter | Inside Diameter |
| 50 mm | 81 | 110 | 50.0 | 45.2 | 50.0 | 42.6 |
| 63 mm | 81 | 110 | 63.0 | 57.0 | 63.0 | 53.6 |
| 75 mm | 81 | 110 | 75.0 | 67.8 | 75.0 | 63.8 |
| 90 mm | 81 | 110 | 90.0 | 81.4 | 90.0 | 76.6 |
| 110 mm | 81 | 110 | 110.0 | 99.4 | 110.0 | 93.6 |
| 160 mm | 81 | 108 | 160.0 | 144.6 | 160.0 | 136.2 |
| 200 mm | 81 | 108 | 200.0 | 180.8 | 200.0 | 170.2 |
| 250 mm | 114 | 108 | 250.0 | 226.2 | N/A | N/A |
| 315 mm | 114 | 108 | 315.0 | 285.0 | N/A | N/A |

4.3.1 DRILL THE MOUNTING HOLE

- Select an area on the pipe as outlined in section 4.1. Be sure the surface area of the pipe is clean and smooth.
- Drill a 1-1/8" diameter hole through the pipe wall. The F-1000 meter can be installed up to 45 degrees from the top of the pipe. A hole saw kit is available from the factory, order part number 20000-062.
- Clean all burrs from inside and outside the hole. Use fine sandpaper (440 grit) if necessary.

4.3.2 INSTALL THE SADDLE

- Insert the alignment tool through the top of the saddle. Proper alignment is critical! Slide the large O-ring over the bottom of the alignment tool and into the groove on the underside of the saddle.
- With the alignment tool and O-ring in place, position the saddle over the drilled hole. Insert the alignment tool into the hole seating the saddle. Be sure the O-ring is properly seated in the O-ring groove. Place the pipe clamps around the pipe and into the slots on the saddle. Tighten the clamps in an alternating method.



4.3.3 CHECK THE SADDLE ALIGNMENT

- Pull the alignment tool out of the saddle. (If the tool is not easily removed, slightly loosen the clamps) Inspect the hole. The saddle must be mounted directly over the hole. Adjust the saddle alignment until the alignment tool slides freely in and out of the saddle.
- Be certain the O-ring is properly seated and visible in the groove around the hole.
- Tighten the clamps.

4.3.4 INSTALL THE F-1000 SENSOR

- Be sure two O-rings are located on the sensor body. The O-rings have been lubricated at the factory with silicone oil.
- Push the sensor assembly into the saddle with a twisting motion. The notch on the sensor body must fit into the slot on the saddle. Be sure the sensor is fully inserted into the saddle.
- **HAND TIGHTEN** the union nut.

4.4 INSTALLING THE MOLDED IN-LINE FITTING (MI)

All molded in-line (MI) fittings have male American National Standard Taper Pipe Threads (MPT).

- Select an area on the pipe as outlined in section 4.1.
- Install the F-1000 as you would any other plastic pipe fitting. Be sure the inlet and outlet fittings are aligned properly. Improper alignment of the fittings will put stress on the adapter connections and may cause leaking or fitting damage. Do not over tighten the fittings. Use PTFE tape sealant only on the adapter threads.
- The F-1000 can be mounted on horizontal or vertical runs of pipe. Mounting at the twelve o'clock position on horizontal pipe is recommended. Mounting anywhere around the diameter of vertical pipe is acceptable, however, the pipe must be completely full of water at all times. See figure 4, 5 and 6.
- Be sure the inlet and outlet plumbing is properly secured. The F-1000 is not designed to support the weight of related piping. Improperly supported pipes will put stress on the adapter connections and may cause leaking or fitting damage.

| Nominal Pipe Size | Body Description | Length L | Height H |
|-------------------|-------------------|----------|----------|
| 3/8" | 3/8" MPT-low flow | 4.73" | 5.29" |
| 3/8" | 3/8" MPT-std flow | 4.73" | 5.38" |
| 1/2" | 1/2" MPT-low flow | 5.09" | 5.29" |
| 1/2" | 1/2" MPT-std flow | 5.09" | 5.38" |
| 3/4" | 3/4" MPT-low flow | 5.25" | 5.38" |
| 3/4" | 3/4" MPT-std flow | 5.25" | 5.57" |
| 1.0" | 1.0" MPT-low flow | 5.65" | 5.57" |
| 1.0" | 1.0" MPT-std flow | 5.65" | 5.57" |

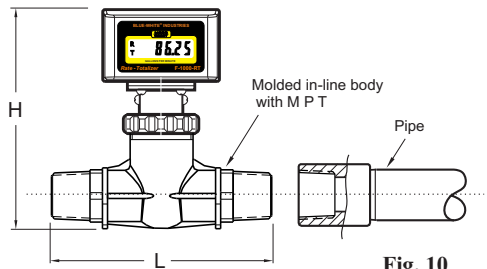


Fig. 10

4.5 HOW TO INSTALL MOLDED PVC TEE FITTINGS (TE)

- Select an area on the pipe as outlined in section 4.1.
- Remove the F-1000 sensor from the tee fitting. Do not glue the TEE while the sensor is installed.
- Install the F-1000 tee fitting as you would any other plastic pipe solvent weld (glue) fitting. Do not use too much glue. Excessive glue may create a disturbance in the flow stream which will effect the accuracy of the meter.
- The F-1000 can be mounted on horizontal or vertical runs of pipe. Mounting at the twelve o'clock position on horizontal pipe is recommended. Mounting anywhere around the diameter of vertical pipe is acceptable, however, the pipe must be completely full of water at all times. See figure 4, 5 and 6.
- Install the F-1000 sensor. Be sure two O-rings are located on the sensor body. The O-rings have been lubricated at the factory with silicone oil. Push the sensor assembly into the saddle on the saddle with a twisting motion. The notch on the sensor body must fit into the slot on the saddle. Be sure the sensor is fully inserted into the saddle. **HAND TIGHTEN** the union nut.

| Nominal Pipe Size | Length L | Height H |
|-------------------|----------|----------|
| 1" | 4" | 6" |
| 1-1/2" | 4-1/2" | 6-5/8" |
| 2" | 4-3/4" | 7-1/8" |

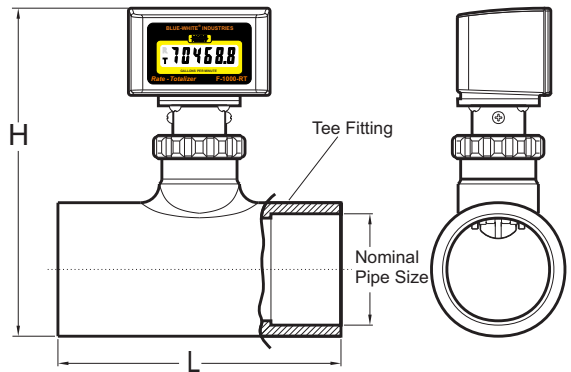
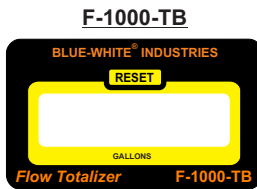
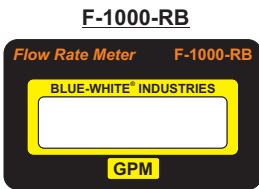


Fig. 11

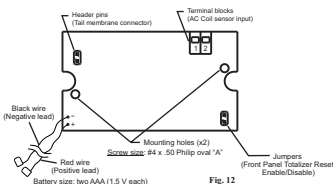
5.0 HOW TO OPERATE THE F-1000

Note: The calibrated units of measure such as GPM, LPM, M3H, GALLONS, LITERS, CUBIC METERS, etc., And the decimal point location are preprogrammed at the factory to standard flow ranges (see chart). Any unit of measure can be factory programmed. Please contact the factory for details.

- The meter is shipped from the factory with 2 AAA batteries installed.
- When measuring continuous flow (i.e. 24 hours per day, 7 days per week), do not operate the meter in the upper 25% of the calibrated flow range. The paddle speed in these high flow ranges is fast. Damage to the paddle may occur if the meter is allowed to run continuously at the high flow rate, especially with corrosive or abrasive fluids.
- **Model F-1000-RB:** The F-1000-RB is the basic rate meter. The meter will display the rate of flow from .01 through 999999 in any engineering units. Some standard units of measure are GPM, GPH, GPD, LPM, LPH, LPD, M3H, etc.
- **Model F-1000-TB:** The F-1000-TB is the basic totalizer meter. The meter will display the total flow amounts from .01 through 999999 in any engineering units. Some standard units of measure are GALLONS, LITERS, CUBIC METERS. Pressing and holding the RESET button (located on the front panel) for at least 2.0 seconds resets the total to zero. This feature can be disabled -- see Fig. 12 below.
- **Model F-1000-RT:** The F-1000-RT is the rate and totalizer meter. The meter will display the flow rate amounts and the total flow amounts from .01 through 999999 in any engineering units. Some standard units of measure are GALLONS PER MINUTE, GALLONS PER HOUR, GALLONS PER DAY, LITERS PER MINUTE, LITERS PER HOUR, LITERS PER DAY, CUBIC METERS PER HOUR, CUBIC METERS PER DAY. Pressing the RESET button (located on the front panel) toggles the display between flow rate and total flow. Pressing and holding the RESET button for at least 2.0 seconds while the total flow value is displayed will reset the total to zero. This feature can be disabled. See Fig. 12 below.



F-1000 Circuit Board



| JUMPER CONFIGURATION | |
|--|---|
| Jumper Not Installed (open) | Jumper Installed |
| | |
| Total flow reset to zero Enable (Factory default) | Total flow reset to zero Disable |

6.0 FLOW RANGES

- The F-1000 is factory calibrated to $\pm 2\%$ of full scale rate reading. When measuring total flow, accumulated error over time must be considered. Accuracy is based on laboratory testing of nominal pipe dimensions. Your actual accuracy will vary based on your actual pipe I.D. And other installation factors.
- Due to increased wear on the paddle and axle, continuous operation at the upper 25% of the flow range is not recommended.

METRIC PIPES

(Meet DIN 8062)

SADDLES - Standard Flow [Min - Max]

| Pipe Size | LPM 1 | LPH 1 | M3H 1 |
|------------------------|--------------|------------------|--------------|
| 50 MM - PN 10 & PN 16 | 70.0 - 700.0 | 4200 - 42000 | 4.20 - 42.00 |
| 63 MM - PN 10 & PN 16 | 110 - 1100 | 6600 - 66000 | 6.60 - 66.00 |
| 75 MM - PN 10 & PN 16 | 150-1500 | 9000 - 90000 | 9.00 - 90.00 |
| 90 MM - PN 10 & PN 16 | 230 - 2300 | 13800 - 138000 | 13.8 - 138.0 |
| 110 MM - PN 10 & PN 16 | 350 - 3500 | 21000 - 210000 | 21.0 - 210.0 |
| 160 MM - PN 10 & PN 16 | 720 - 7200 | 43000 - 430000 | 43.0 - 430.0 |
| 200 MM - PN 10 & PN 16 | 1150 - 11500 | 70000 - 700000 | 70.0 - 700.0 |
| 160 MM - PN 10 | 1700 - 17000 | 100000 - 1000000 | 100 - 1000 |
| 200 MM - PN 10 | 2700 - 27000 | 170000 - 1700000 | 170 - 1700 |

IPS PIPES

(Meet ASTM-D-1785)

MOLDED INLINE BODIES - Standard Flow Range #1 [Min - Max]

| Pipe Size | GPM 1 | GPH 1 | GPD 1 | LPM 1 | LPH 1 | M3H 1 |
|-------------|--------------|--------------|--------------|--------------|--------------|---------------|
| 3/8" INLINE | .800 - 8.000 | 48.0 - 480.0 | 1100 - 11000 | 3.00 - 30.00 | 180 - 1800 | 0.180 - 1.800 |
| 1/2" INLINE | 2.00 - 20.00 | 120 - 1200 | 2800 - 28000 | 7.00 - 70.00 | 420 - 4200 | 0.420 - 4.200 |
| 3/4" INLINE | 3.00 - 30.00 | 180 - 1800 | 4320 - 43200 | 11.0 - 110.0 | 660 - 6600 | 0.660 - 6.600 |
| 1.0" INLINE | 5.00 - 50.00 | 300 - 3000 | 7200 - 72000 | 20.0 - 200.0 | 1200 - 12000 | 1.20 - 12.00 |

MOLDED INLINE BODIES - Low Flow Range #2 [Min - Max]

| Pipe Size | GPM 2 | GPH 2 | GPD 2 | LPM 2 | LPH 2 | M3H 2 |
|-------------|--------------|---------------|--------------|--------------|--------------|---------------|
| 3/8" INLINE | .400 - 4.000 | 20.0 - 200.0 | 550 - 5500 | 1.00 - 10.00 | 60.0 - 600.0 | 0.060 - 0.600 |
| 1/2" INLINE | .500 - 5.000 | 30.00 - 300.0 | 700 - 7000 | 2.00 - 20.00 | 120 - 1200 | 0.120 - 1.200 |
| 3/4" INLINE | .800 - 8.000 | 48.0 - 480.0 | 1100 - 11000 | 3.00 - 30.00 | 180 - 1800 | 0.180 - 1.800 |
| 1.0" INLINE | 2.00 - 20.00 | 120 - 1200 | 2800 - 28000 | 7.00 - 70.00 | 420 - 4200 | 0.420 - 4.200 |

SADDLES - Standard Flow [Min - Max]

| Pipe Size | GPM 1 | GPH 1 | GPD 1 | LPM 1 | LPH 1 | M3H 1 |
|------------|--------------|----------------|-----------------|--------------|-----------------|--------------|
| 1-1/2" IPS | 15.0 - 150.0 | 900 - 9000 | 21500 - 215000 | 60.0 - 600.0 | 3600 - 36000 | 3.60 - 36.00 |
| 2.0" IPS | 30.0 - 300.0 | 1800 - 18000 | 43000 - 430000 | 100 - 1000 | 6000 - 60000 | 6.00 - 60.00 |
| 2.5" IPS | 40.0 - 400.0 | 2400 - 24000 | 57600 - 576000 | 150 - 1500 | 9000 - 90000 | 6.00 - 60.00 |
| 3.0" IPS | 60.0 - 600.0 | 3600 - 36000 | 86500 - 865000 | 250 - 2500 | 15000 - 150000 | 15.0 - 150.0 |
| 4.0" IPS | 100 - 1000 | 6000 - 60000 | 144000 - 999999 | 400 - 4000 | 24000 - 240000 | 24.0 - 240.0 |
| 6.0" IPS | 250 - 2500 | 15000 - 150000 | 360000 - 999999 | 900 - 9000 | 54000 - 540000 | 54.0 - 540.0 |
| 8.0" IPS | 400 - 4000 | 24000 - 240000 | 575000 - 999999 | 1500 - 15000 | 90000 - 900000 | 90.0 - 900.0 |
| 10.0" IPS | 600 - 6000 | 36000 - 360000 | 865000 - 999999 | 2200 - 22000 | 132000 - 999999 | 132 - 1320 |
| 12.0" IPS | 800 - 8000 | 48000 - 480000 | N/A | 3000 - 30000 | 180000 - 999999 | 180 - 1800 |

7.0 HOW TO MAINTAIN THE F-1000

The F-1000 requires very little maintenance, however, some conditions will cause increased wear on the paddle and/or possible damage to the unit. Damage caused by corrosive or abrasive fluids is not covered under warranty.

- Periodically remove the sensor assembly from the pipe fitting and inspect the meter for signs of wear and obstructions. Clean the paddle of any foreign objects. Paddle and axle wear can be caused by chemical attack and/or abrasive fluids. Replace the paddle and axle if worn. Various axle materials are available for corrosive fluids.
- Although the meter is capable of operating at the high end of the flow range, the meter should not be allowed to operate continuously at flow rates in the upper 1/4 or 25% of the calibrated flow range. The paddle and axle life is directly related to the rate of flow and the fluid being measured. Corrosive and abrasive fluids moving at high flow rates will cause increased wear requiring frequent inspection and maintenance. Ceramic, titanium or nickel axles are available for corrosive and abrasive fluids.
- Although the F-1000 is designed to withstand outdoor conditions, a cool, dry location where the unit can be easily serviced is recommended. The life of the LCD display will be severely reduced when installed in direct sunlight. Do not install the meter so that the LCD is in direct sunlight.
- O-rings should be inspected periodically. Immediately replace the o-rings at any sign of wear, swelling, cracking or discoloration.
- The meter is designed to withstand minor condensation inside the enclosure. Prolonged excessive moisture inside the enclosure, due to high humidity conditions, may damage the meter. Reduce the humidity or move the meter to a less humid location.
- Replace the two AAA batteries every 12 months. The program memory is “non-volatile” and will not erase when replacing the batteries. Processing power will be maintained for about 45 seconds, preventing the loss of totalizing data, while the batteries are being replaced. To replace the batteries, open the rear panel of the enclosure by removing the two Phillips screws. After replacing the batteries, be sure the foam insert is in place and the panel gasket seal is in good condition, before closing the rear panel.
- Test the electronics by removing the sensor assembly from the pipe fitting and spinning the paddle by hand. While spinning, the number “0” reading in the display window indicates that the battery is supplying power to the meter but a signal is not being processed by the circuitry. In this case, the circuitry must be serviced by an authorized service center.

8.0 TROUBLESHOOTING

Situation: *Leaking*

- Cause:** *Improper installation***Solution:** *Page 8, section 4.3*
Page 9, section 4.3.1 thru 4.3.4
Page 10, section 4.4, 4.5
- Worn or damaged O-rings*.....**Solution:** *Page 14, section 7.0*

Situation: *Moisture inside enclosure*

- Cause:** *Condensation***Solution:** *Page 14, section 7.0*
- Damaged panel gasket***Solution:** *Page 14, section 7.0*

Situation: *Flow rate reading is inaccurate*

- Cause:** *Improper installation*.....**Solution:** *Page 8, section 4.3*
Improper velocity profile.....**Solution:** *Page 5, section 4.1, 4.2*
Improper alignment / installation.....**Solution:** *Page 9, section 4.3.3*
Worn paddle and/or axle.....**Solution:** *Page 14, section 7.0*
Accumulated reading error.....**Solution:** *Page 13, section 6.0*

Situation: *No display*

- Cause:** *Electronics damaged*.....**Solution:** *Page 14, section 7.0*
- Dead batteries*.....**Solution:** *Page 14, section 7.0*

Situation: *Display shows zero flow*

- Cause:** *Saddle not aligned*.....**Solution:** *Page 9, section 4.3.3*
Electronics damaged.....**Solution:** *Page 14, section 7.0*
Flow rate is out of range.....**Solution:** *Page 13, section 6.0*

Paddle Removal

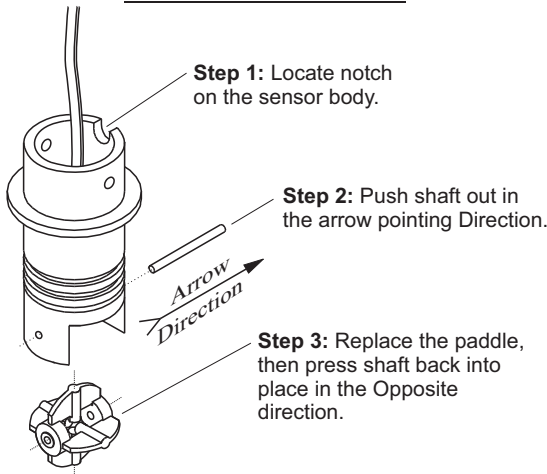
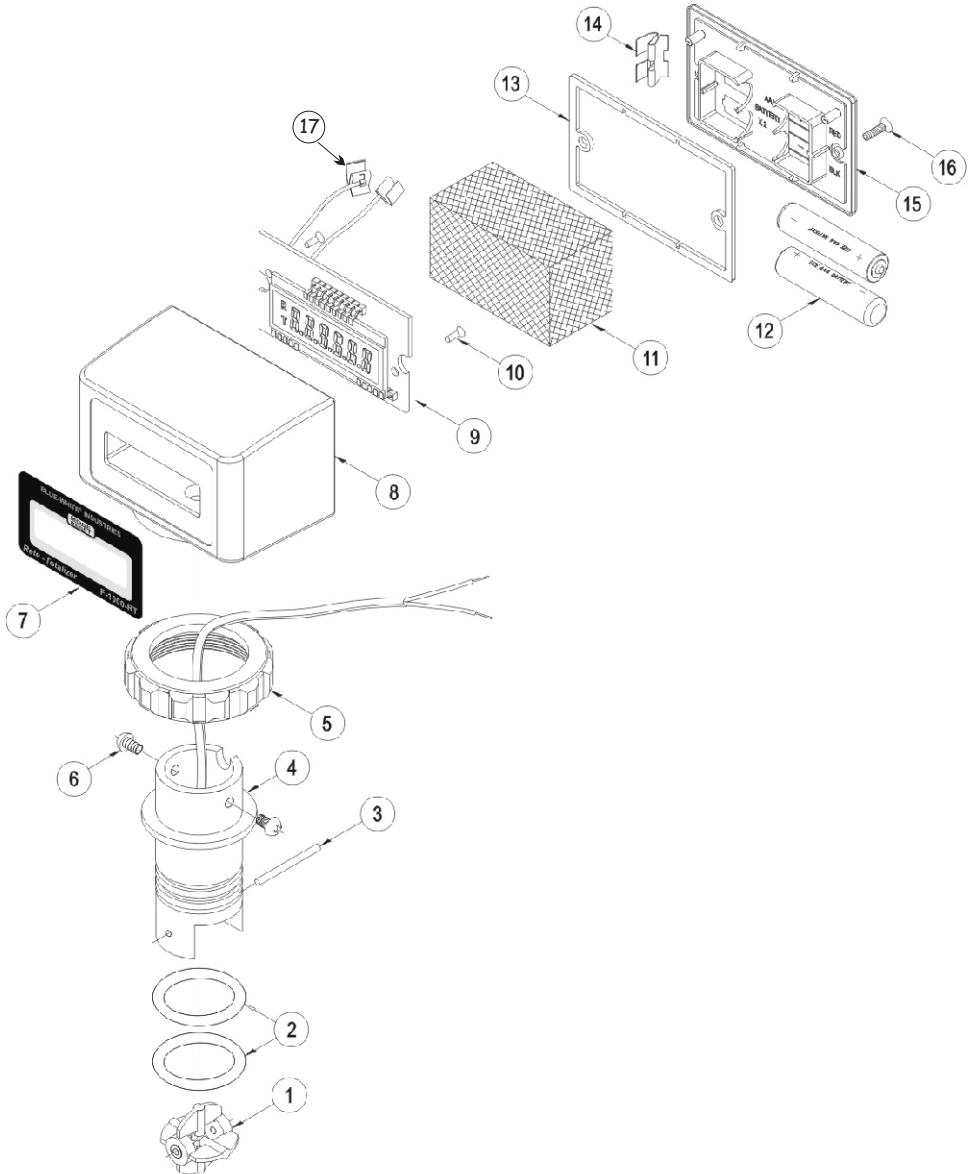


Fig. 13

9.0 F-1000 PARTS LIST



| Item | Part# | Description | Qty |
|------|----------------|---|-----|
| 1 | 70000-783 | Paddle assembly PVDF | 1 |
| 2 | 90003-021 | O-ring 022 Viton E60 | 2 |
| 3 | 90007-589 | Axle PVDF | 1 |
| | 90007-567 | Axle Hastelly | 1 |
| | 76000-845 | Axle Titanium | 1 |
| 4 | 71000-238 | Sensor body assembly F-100 no paddle | 1 |
| 5 | 91001-280 | Union Nut | 1 |
| 6 | 90011-080 | Screw #6 x .37 PH Pan B 18/8 | 2 |
| 7 | 90012-198 | Label F-1000-RB GPM | 1 |
| | 90012-199 | Label F-1000-RB GPH | 1 |
| | 90012-200 | Label F-1000-RB LPM | 1 |
| | 90012-201 | Label F-1000-RB LPH | 1 |
| | 90012-202 | Label F-1000-RB M ³ H | 1 |
| | 90012-221 | Label F-1000-TB overlay | 1 |
| | 90012-220 | Label F-1000-RT overlay | 1 |
| 8 | 76001-187 | Housing F-1000 | 1 |
| 9 | RBC-pipe-units | Circuit board for model RB. Must specify pipe | 1 |
| | TBC-pipe-units | Circuit board for model TB. Must specify pipe | 1 |
| | RTC-pipe-units | Circuit board for model RT. Must specify pipe | 1 |
| 10 | 90011-169 | Screw #4 .25 Phil Pan "A" | 1 |
| 11 | 90013-260 | Foam pad 1.25 x 1.25 x 2.25 | 1 |
| 12 | 90008-318 | Battery each AAA | 2 |
| 13 | 90006-590 | Gasket F-1000 | 1 |
| 14 | 90008-319 | Battery clip F-1000 | 1 |
| 15 | 90002-203 | Rear plate F-1000 | 1 |
| 16 | 90011-113 | Screw #4 .50 Phil oval "A" | 2 |
| 17 | 90010-241 | Battery Connector | 1 |

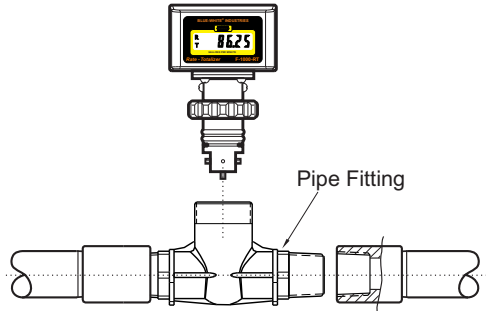
MOLDED IN-LINE BODY PARTS LIST

Complete Kit Ordering Numbers

| Molded In-Line Pipe Fittings - U.S. (IPS) M/NPT | |
|---|------------------------------------|
| Kit No | Description |
| 38M1 | 3/8" MPT .800 - 8.000 GPM - PP |
| 38M2 | 3/8" MPT .400 - 4.000 GPM - PP |
| 38F1 | 3/8" MPT .800 - 8.000 GPM - PVDF |
| 38F2 | 3/8" MPT .400 - 4.000 GPM - PVDF |
| 50M1 | 1/2" MPT 2.00 - 20.00 GPM - PP |
| 50M2 | 1/2" MPT .500 - 5.000 GPM - PP |
| 50F1 | 1/2" MPT 2.00 - 20.00 GPM - PVDF |
| 50F2 | 1/2" MPT .500 - 5.000 GPM - PVDF |
| 75M1 | 3/4" MPT 3.00 - 30.00 GPM - PP |
| 75M2 | 3/4" MPT .800 - 8.000 GPM - PP |
| 75F1 | 3/4" MPT 3.00 - 30.00 GPM - PVDF |
| 75F2 | 3/4" MPT .800 - 8.000 GPM - PVDF |
| 10M1 | 1" MPT 5.00 - 50.00 GPM - PP |
| 10M2 | 1" MPT 2.00 - 20.00 GPM - PP |
| 10F1 | 1" MPT 5.00 - 50.00 GPM - PVDF |
| 10F2 | 1" MPT 2.00 - 20.00 GPM - PVDF |
| 15M1 | 1-1/2" MPT 4.00 - 40.00 GPM - PP |
| 15M2 | 1-1/2" MPT 6.00 - 60.00 GPM - PP |
| 15M3 | 1-1/2" MPT 10.0 - 100.0 GPM - PP |
| 15F1 | 1-1/2" MPT 4.00 - 40.00 GPM - PVDF |
| 15F2 | 1-1/2" MPT 6.00 - 60.00 GPM - PVDF |
| 15F3 | 1-1/2" MPT 10.0 - 100.0 GPM - PVDF |
| 20M1 | 2" MPT 4.00 - 40.00 GPM - PP |
| 20M2 | 2" MPT 6.00 - 60.00 GPM - PP |
| 20M3 | 2" MPT 10.0 - 100.0 GPM - PP |
| 20M4 | 2" MPT 20.0 - 200.0 GPM - PP |
| 20F1 | 2" MPT 4.00 - 40.00 GPM - PVDF |
| 20F2 | 2" MPT 6.00 - 60.00 GPM - PVDF |
| 20F3 | 2" MPT 10.0 - 100.0 GPM - PVDF |
| 20F4 | 2" MPT 20.0 - 200.0 GPM - PVDF |

Complete kits include:

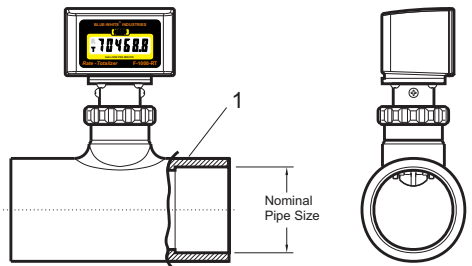
- 1) Molded inline body fitting
- 1) Instruction manual



MOLDED PVC TEE PARTS LIST

Replacement Tee Part Numbers

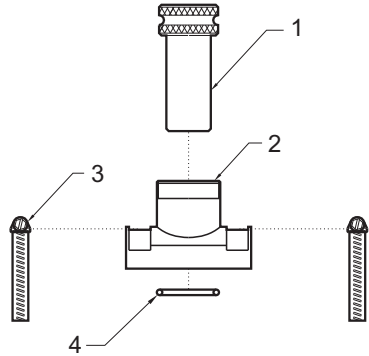
| ITEM | PART NO. | DESCRIPTION |
|------|-----------|------------------------|
| 1 | 76000-978 | 1.0" TEE FITTING - PVC |
| | 76000-975 | 1.5" TEE FITTING - PVC |
| | 76000-976 | 2.0" TEE FITTING - PVC |



SADDLE PARTS LIST

Replacement Part Numbers

| Item | Part No. | Description |
|-----------|------------------------------|--|
| 1 | 90007-830 | Alignment tool |
| 2 | 91001-115 | Saddle, 1-1/2" pipe (50mm) |
| | 91001-114 | Saddle, 2" pipe (63mm) |
| | 91001-116 | Saddle, 3" pipe (90mm) |
| | 76100-087 | Saddle, 4" pipe (110mm) |
| | 76100-088 | Saddle, 6" pipe (160mm) |
| | 76100-089 | Saddle, 8" pipe (200mm) |
| | 76100-139 | Saddle, 10" & 12" pipe |
| 3 | 90008-010 | Hose-Clamp #28 for 1-1/2" pipe |
| | 90008-137 | Hose-Clamp #40 for 2" pipe |
| | 90008-015 | Hose-Clamp #52 for 3" pipe |
| | 90008-018 | Hose-Clamp #72 for 4" pipe |
| | 90008-019 | Hose-Clamp #116 for 6" pipe |
| | 90008-020 | Hose-Clamp #152 for 8" pipe |
| | 90008-348 | Hose-Clamp #188 for 10" pipe |
| 90008-349 | Hose-Clamp #224 for 12" pipe | |
| 4 | 90003-108 | O-ring / Viton® for 1-1/2", 2", 3" |
| | 90003-114 | O-ring / Viton® for 4", 6", 8", 10", 12" |



Complete Kit Ordering Numbers

| U.S. (IPS) Pipe Saddle Fittings | |
|---------------------------------|------------------------------------|
| Kit No | Description |
| 15K4 | 1-1/2" IPS pipe, schedule 40, PVDF |
| 15K8 | 1-1/2" IPS pipe, schedule 80, PVDF |
| 20K4 | 2" IPS pipe, schedule 40, PVDF |
| 20K8 | 2" IPS pipe, schedule 80, PVDF |
| 30K4 | 3" IPS pipe, schedule 40, PVDF |
| 30K8 | 3" IPS pipe, schedule 80, PVDF |
| 40A4 | 4" IPS pipe, schedule 40, PVC |
| 40A8 | 4" IPS pipe, schedule 80, PVC |
| 60A4 | 6" IPS pipe, schedule 40, PVC |
| 60A8 | 6" IPS pipe, schedule 80, PVC |
| 80A4 | 8" IPS pipe, schedule 40, PVC |
| 80A8 | 8" IPS pipe, schedule 80, PVC |
| 100A4 | 10" IPS pipe, schedule 40, PVC |
| 100A8 | 10" IPS pipe, schedule 80, PVC |
| 120A4 | 12" IPS pipe, schedule 40, PVC |
| 120A8 | 12" IPS pipe, schedule 80, PVC |

| Metric (DIN 8062) Pipe Saddle Fittings | |
|--|------------------------------|
| Kit No | Description |
| 05K0 | 50mm Metric pipe, Pn10, PVDF |
| 05K6 | 50mm Metric pipe, Pn16, PVDF |
| 06K0 | 63mm Metric pipe, Pn10, PVDF |
| 06K6 | 63mm Metric pipe, Pn16, PVDF |
| 09K0 | 90mm Metric pipe, Pn10, PVDF |
| 09K6 | 90mm Metric pipe, Pn16, PVDF |
| 11A0 | 110mm Metric pipe, Pn10, PVC |
| 11A6 | 110mm Metric pipe, Pn16, PVC |
| 16A0 | 160mm Metric pipe, Pn10, PVC |
| 16A6 | 160mm Metric pipe, Pn16, PVC |
| 20A0 | 200mm Metric pipe, Pn10, PVC |

Complete kits include:

- 1) Saddle fitting
- 2) Pipe clamps
- 3) O-ring seal
- 1) Installation alignment tool
- 1) Instruction manual
- 1) Union nut

BLUE-WHITE INDUSTRIES LIMITED WARRANTY

FLOWMETERS are warranted to be free of defects in material and workmanship for up to 12 months from the date of factory shipment. Warranty coverage is limited to repair or replacement of the defective flowmeter only. Blue-White Industries does not assume responsibility for any other damage that may occur.

This warranty does not cover damage to the flowmeter that results from misuse or alterations, nor damage that occurs as a result of: meter misalignment, improper installation, over tightening, use of non- recommended chemicals, use of non-recommended adhesives or pipe dopes, excessive heat or pressure, or allowing the meter to support the weight of related piping. Flowmeters are tested and calibrated with water only. Although meters may be suitable for other chemicals, Blue-White cannot guarantee their suitability.

Flowmeters are repaired at the factory only. Call or write the factory to receive a Return Authorization Number, carefully pack the flowmeter to be returned, including a brief description of the problem. Note the RA number on the outside of the carton.

Prepay all shipping costs. The factory does not accept COD Shipments. Damage that occurs during shipping is the responsibility of the sender.

***We are not satisfied
until you are!***



Users of electrical and electronic equipment (EEE) with the WEEE marking per Annex IV of the WEEE Directive must not dispose of end of life EEE as unsorted municipal waste, but use the collection framework available to them for the return, recycle, recovery of WEEE and minimize any potential effects of EEE on the environment and human health due to the presence of hazardous substances. The WEEE marking applies only to countries within the European Union (EU) and Norway. Appliances are labeled in accordance with European Directive 2002/96/EC.

Contact your local waste recovery agency for a *Designated Collection Facility* in your area.

**ISO 9001:2015
CERTIFIED**



**MADE IN THE
USA**

80000-335

REV. 10 20210803

Blue-White
Industries, Ltd.

URL: www.Blue-White.com
E-mail: sales@blue-white.com
Techsupport@blue-white.com

Phone: 714-893-8529
Fax: 714-894-0149