

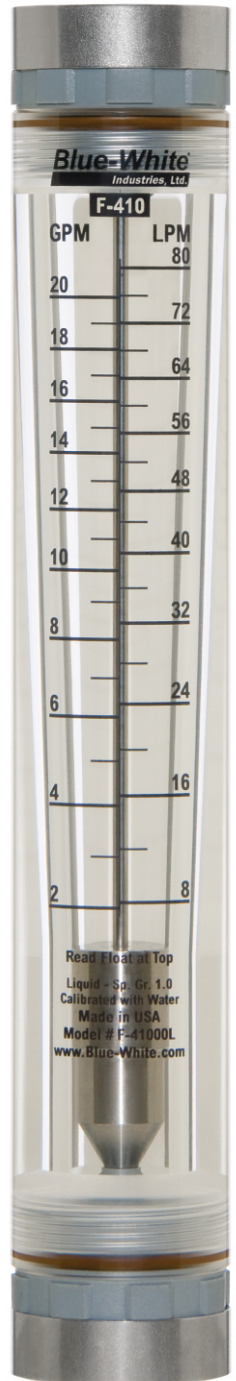
Blue-White[®] F-410 Flowmeter

Industries, Ltd. | Instruction Manual

*Building Reliable
Products that
Enhance the
Quality of Life*

Your Blue-White[®] F-410 Series In-Line Flowmeter

This flowmeter was designed to be easily installed. Please read this Instruction guideline before installing your flowmeter.



Installation Guideline

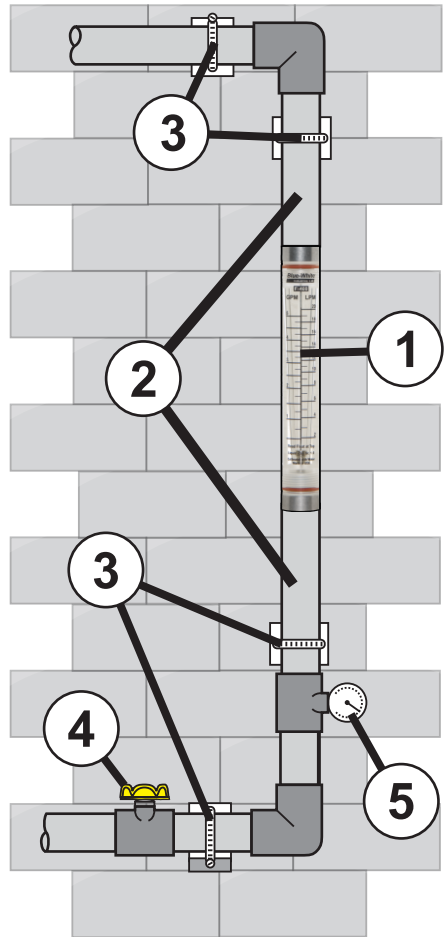
1 The flowmeter must be installed in a vertical plane to ensure accuracy. Misalignment may damage the flowmeter and also may cause the o-ring seals to leak.

2 Use only PTFE tape on the threaded adapters. Pipe dope and glue will damage the polysulfone meter body and fittings. Or install the flowmeter after all glued fittings have dried and fumes have been purged from the system.

3 Mounts and supports must be sturdy enough to support the plumbing and prevent vibration. Vibration and heavy loads will damage the meter.

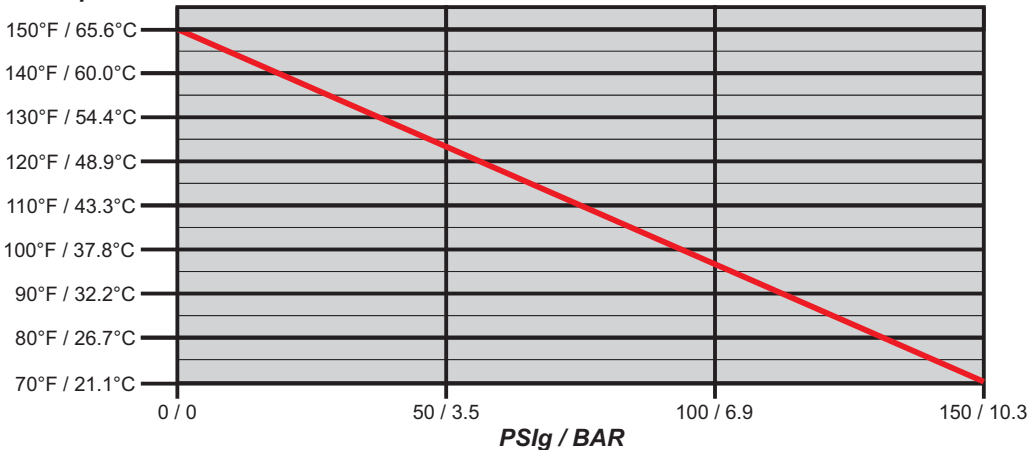
4 Avoid imposing a sudden burst of flow to the meter. Solenoid valves will damage the meter. Such a burst will cause the float to impact the top float stop with destructive force.

5 The Maximum fluid temperature is dependant on the working pressure. High pressure and temperature with damage the meter. (see temperature VS pressure chart)



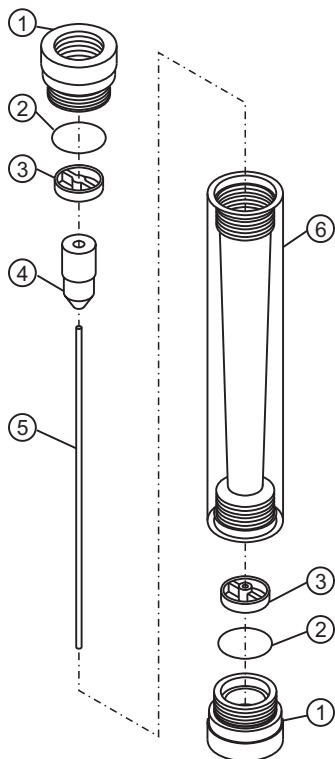
TEMPERATURE vs PRESSURE

Temperature



Exploded View and Parts List

EXPLODED VIEW



PARTS LIST

Item	Catalog Number	Description	Qty
1	F-4009	3/4" FPT Adapter (PP)	2
1	F-4011	1" FPT Adapter (PP)	2
2	F-4010K	O-ring, 127 (Viton)**	2
3	F-4013PP	Wire holder (PP)	2
4	-	Float (SS)*	1
5	F-4012	Guide Wire (SS)*	1
6	-	Meterbody (Acrylic)	1

Shading indicates item not sold separately

*Hastelloy C-276 Option Available
**EP Option Available

SS = # 316 Stainless Steel
PP = Polypropolyne

METER SPECS

Scale	Permanent dual scale silkscreen
Max Pressure	See Temperature vs. Pressure
Max Temperature	See Temperature vs. Pressure
Height	11" (279.4mm)
Width	1-3/4" (44.45mm)
Accuracy	± 5% of full scale reading

Application Notes

Although meters may be suitable for other chemicals, Blue-White cannot guarantee their suitability. It is the responsibility of the user to determine the suitability of the flowmeter in their application. **Flowmeters are tested and calibrated for water only.**

Maintenance

The "Exploded View" drawing illustrates assembly of the F-410N series meter. If your flowmeter needs to be cleaned refer to this drawing when reassembling the unit. The tapered tube may be cleaned with a soft bottle brush. Use a MILD soap and water solution for cleaning purposes. Note the floats "up" position.

BLUE-WHITE INDUSTRIES LIMITED WARRANTY

FLOWMETERS are warranted to be free of defects in material and workmanship for up to 12 months from the date of factory shipment. Warranty coverage is limited to repair or replacement of the defective flowmeter only. Blue-White Industries does not assume responsibility for any other damage that may occur.

This warranty does not cover damage to the flowmeter that results from misuse or alterations, nor damage that occurs as a result of: meter misalignment, improper installation, over tightening, use of non- recommended chemicals, use of non-recommended adhesives or pipe dopes, excessive heat or pressure, or allowing the meter to support the weight of related piping. Flowmeters are tested and calibrated with water only. Although meters may be suitable for other chemicals, Blue-White cannot guarantee their suitability.

Flowmeters are repaired at the factory only. Call or write the factory to receive a Return Authorization Number, carefully pack the flowmeter to be returned, including a brief description of the problem. Note the RA number on the outside of the carton.

Prepay all shipping costs. The factory does not accept COD Shipments. Damage that occurs during shipping is the responsibility of the sender.

***We are not satisfied
until you are!***

**ISO 9001:2015
CERTIFIED**



**MADE IN THE
USA**

80000-611

REV.01 09162020

Blue-White
Industries, Ltd.

URL: www.Blue-White.com
E-mail: sales@blue-white.com
Techsupport@blue-white.com

Phone: 714-893-8529
Fax: 714-894-0149