

MixRite

# DOSING PUMPS



IRRIGATION



ANIMAL HEALTH



INDUSTRIAL



SANITATION



WATER  
TREATMENT



CUTTING  
OIL



CAR  
WASHING



 **tefen**  
Flow & Dosing Solutions

Keep your business flowing.  
Tefenitely.



## About TEFEN

Tefen is a leading manufacturer of environmental friendly, non-electric volumetric equipment and flow products since 1973.

Tefen's MixRite line of water driven proportional dosing pumps, are used to ensure precise additive injection directly into the water or fluid line under various flow rates, feed ratios and different ranges of pressure. These pumps are extremely durable, manufactured from engineered composite materials to withstand the rigors of the elements, as well as chemicals and acids for injection.

Tefen offers the MixRite pumps for a variety of applications such as medication for livestock, cleaning or disinfecting fluid lines, sanitizing water systems, car wash, fertilizing, and pest control for crops and plants. Tefen's pumps are adaptable simple to use and cost effective, while creating a long-lasting solution for your needs.

The Tefen MixRite water powered dosing pump has demonstrated its value in **over 90 countries**, by offering reliable, innovative & sustainable solution according to customers needs.

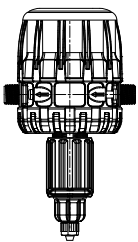
Tefen is certified  
by ISO 9001 2015



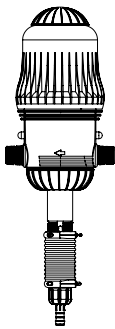


## MixRite Range

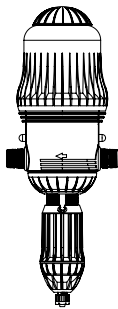
1



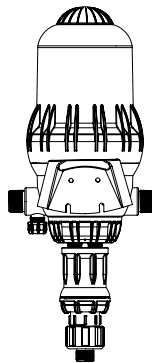
2.5



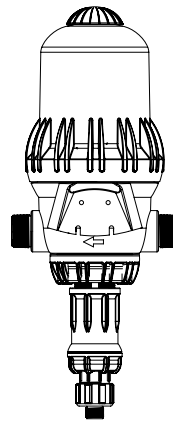
3.5



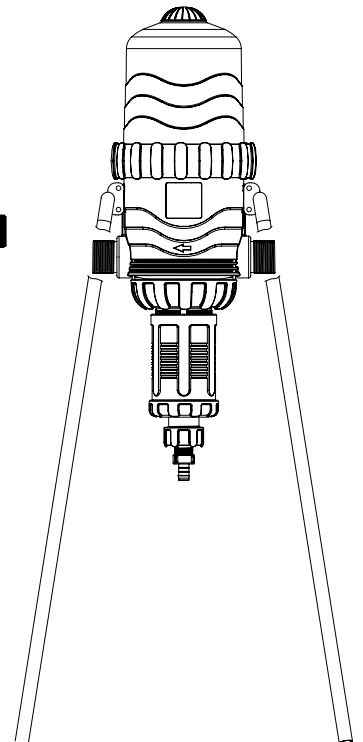
TF - 5



TF - 10



TF - 25



# MixRite Dosing Pumps

## Applications



### IRRIGATION

The objectives of fertigation are to control water quantities and added nutrients necessary for optimum growth of crops. MixRite proportional injection technology means less waste, plus a better mix for fertilizers, pesticides and other water-soluble products.



### INDUSTRIAL

MixRite Pumps are the perfect solution for various industrial applications.

They ensure automatic in line dosing of the required detergents, disinfectants, wax and other additives. MixRite dosing accuracy is not dependent on the pressure and flow variations in the network.



### ANIMAL HEALTH

MixRite pumps for Animal Health guarantee control over doses of treatments injected through drinking water, which is the ideal distribution method, from the first day of the flock. In all kinds of Animal (poultry, pigs, cattle, rabbits, etc.), the MixRite proportional dosing pumps will enable you to dose into the water line treatments such as: Medications, Vaccines, Disinfectants, Acidification, Chlorine, Supplements, Vitamins, Minerals.

The proportionality of MixRite pumps guarantees the correct dose independently by pressure and water flow variations (animal consumption).





## SANITATION

The sanitation and hygiene industry requires exceedingly accurate and reliable chemical mixing and injection solutions. MixRite injectors are used in market applications like hospitals, restaurants, food services, and supermarkets. MixRite pumps are easily installed in fixed or mobile installations often including static mixers, maturing tanks, flow meters, etc.



## CAR WASHING

MixRite pumps are the perfect solution for car wash facilities of all types and sizes. It lowers the cost-per-car expense, while using less energy and chemical waste.



## CUTTING OIL

Cutting oil is designed to extend the life of cutting and drilling equipment and improve their performance. MixRite water powered proportional pumps ensure injection of precise additive amount to the process.



## WATER TREATMENT

Water treatment is any process that improves the quality of water for a specific end-use such as drinking, industrial water supply, irrigation and many more. MixRite pumps offer optimal solution for chlorination and PH control process.



# MixRite Dosing Pumps

## Features

- Mixes additive and water precisely
- The dosage can be adjusted easily and quickly
- Repair is simple and inexpensive
- Key internal parts are from the highest quality material available (hastelloy spring, Viton Rubber seal)

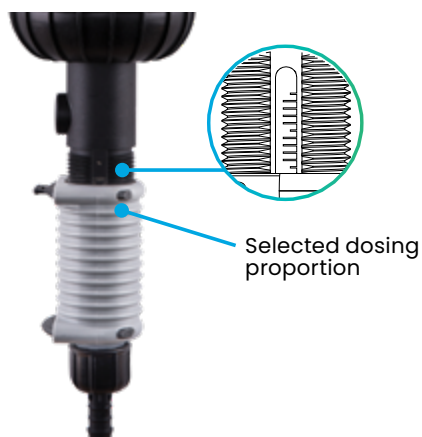
## Advantages

- Hydraulic, volumetric and non-electric.
- Dosing proportional to water flow rate.
- Excellent dosing repeatability and homogeneity.
- Easy dosing adjustment.
- Easy to install, operate and maintain.

Determining the right MixRite model for each application is done according to the customer's needs and the system specifications.

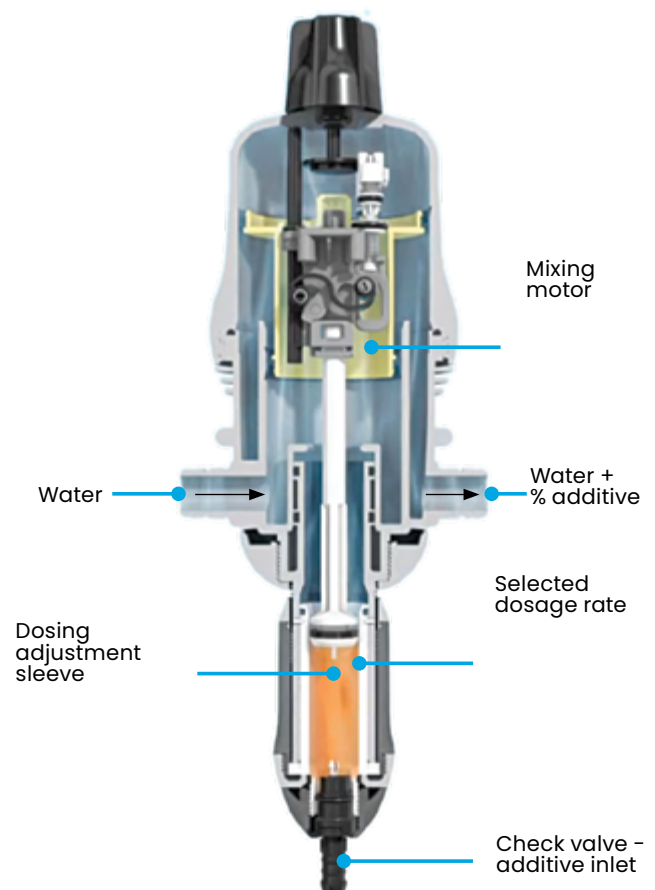
## Adjusting the MixRite pump

The injection rate is set up manually by rotating the sleeve to the desired proportion. The amount of injected concentrate is proportional to the amount of water flowing into the MixRite pump.



## Operating principle

The unit will automatically start working when water is flowing in the water line and continue until the flow will stop; it is possible to control the suction (intake) operation by using the models with the On/Off system.



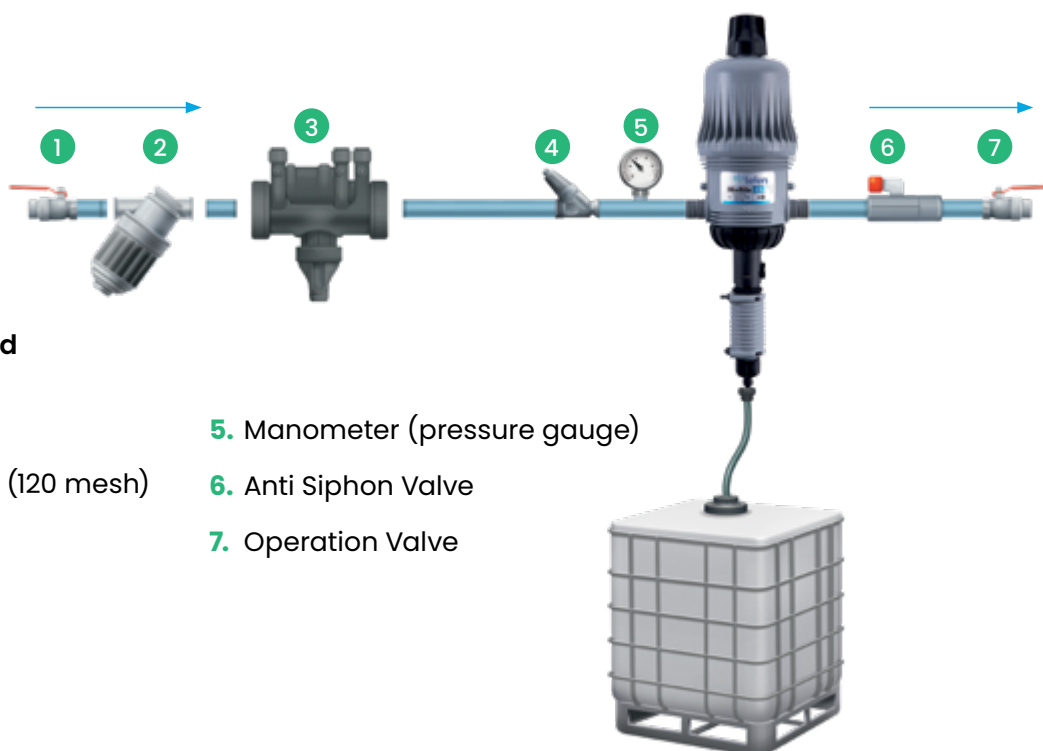
# Simplicity by design

## Simple maintenance

MixRite is the most simple injector to use. Less maintenance is required and no technician is needed for changing spare parts.

## Simple installation

MixRite is a "Plug and Play" unit. Installation of MixRite can be done by using the instructions which are attached to each unit.



### Recommended standard Installation inline

1. Main Valve
2. Filter - 130 Micron Min. (120 mesh)
3. Back Flow Preventer
4. Pressure Regulator
5. Manometer (pressure gauge)
6. Anti Siphon Valve
7. Operation Valve

## MixRite Configurator

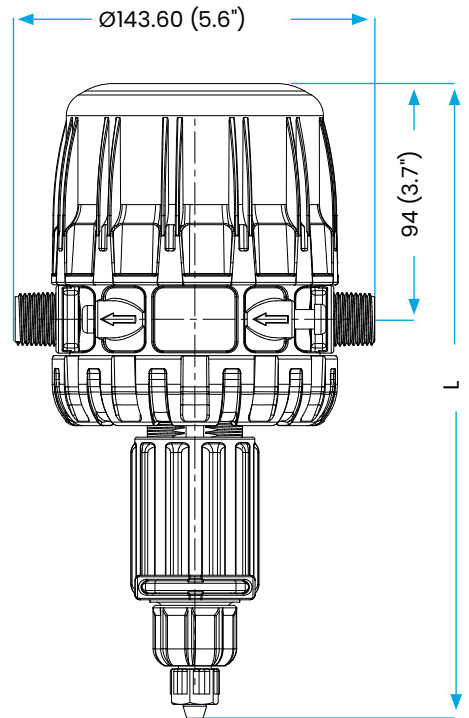
PUMP CODE	1-2	3-4	5-6	7	8-9	10-11
<b>Fixed prefix</b>	28=Pumps	01=MixRite 1, 3/4" BSPT 02=MixRite 2.5, 3/4" BSPT	01=0.1%-0.9% 02=0.3%-2%	0=air release 1=ON/OFF	'00=Standard 5B = Standard	00
<b>Pump model + connector thread (BSP/NPT/Compression)</b>		03=TF5, 1" NPT 04=TF 5, 1" BSPT 05=TF5, 32mm 08=TF10, 1 1/2 NPT 09=TF10, 1 1/2 BSPT 10=TF10, 50mm 23=TF25, 2" NPT 24=TF25, 2" BSPT 25=TF25, 63mm 30=MixRite 3.5, 3/4" BSPT	04=0.4%-4% 05=0.5%-5% 10=1%-10% 11=1% Fix 21=0.03%-0.2% 22=0.2 Fix 28=0.8 Fix		P0=Poultry C0=Industry CL=Chlorine CW=Car wash IV=PVDF I0=Internal By Pass B0=External By Pass HB=Hybrid	
<b>Dosage %</b>						
<b>Cover option</b>						
<b>Application</b>						
<b>Additional information</b>						

# MixRite Dosing Pumps


## 1 m<sup>3</sup>/h MixRite 1

### Technical Information

Water pressure	0.2 – 8 bar (2.9 – 116 psi)
Flow Rate	20 – 1000 l/h (0.09 – 4.4 GPM)
Working temp	4–40° C (39.2–104° F)
Coupling	3/4"



### Application Color Code

Application	Sleeve Color	TEFEN Code	Seal Material	Spring Material	Model	L
Domestic Landscaping (0.2% fix)		STD	NBR	SST	Fix	212.5 (8.3")
Chlorine / Industry		CL	Viton	Hastelloy	Adjustable	254.0 (10")

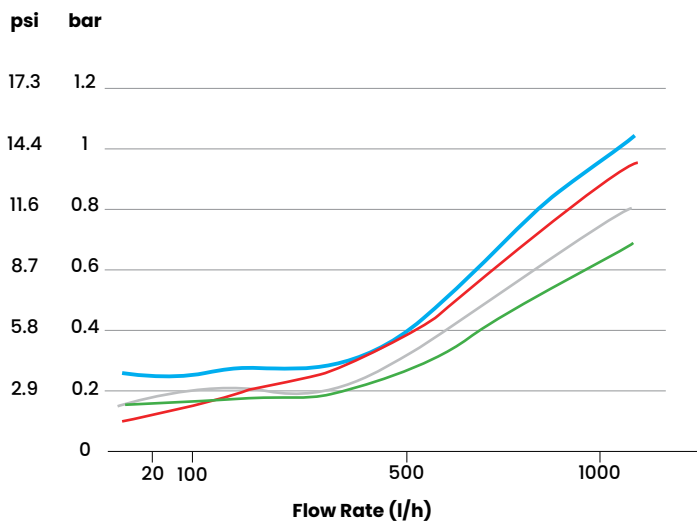


## Application Range

Dosage Rate %	Flow Rate Range	Pressure Range	Connectors Dia.Thread	Min-Max Injection Rate Per Hour	Suction Tube wDia.	Applications
0.2% Fix	20 - 1000 l/h	0.2 - 8 bar	3/4" BSPT	0.04 - 2 l/h	8 mm	Landscaping
0.1% - 1%	20 - 1000 l/h	0.2 - 8 bar	3/4" BSPT	0.02 - 10 l/h	8 mm	Landscaping / Chlorine / Industry
0.2% - 2%	20 - 1000 l/h	0.2 - 8 bar	3/4" BSPT	0.04 - 20 l/h	8 mm	Landscaping / Chlorine / Industry
0.4% - 4%	20 - 1000 l/h	0.2 - 8 bar	3/4" BSPT	0.08- 40 l/h	10 mm	Landscaping / Chlorine / Industry

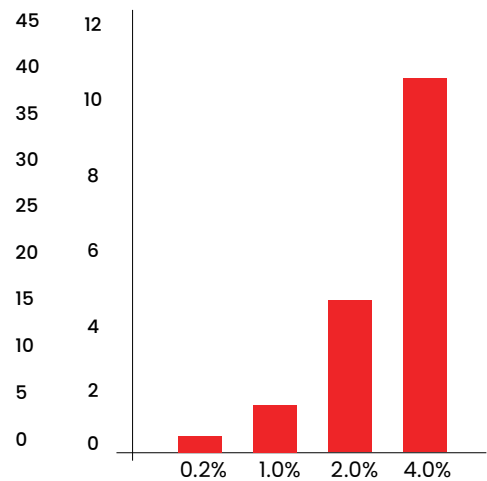
## Pressure Loss

- 4%
- 2%
- 1%
- Fixed



## Max. injection rate/h

Injection Rate  
L/h gph



# MixRite Dosing Pumps

**2.5 m<sup>3</sup>/h**

**MixRite 2.5**



## Technical Information

Water pressure | 0.2 – 8 bar (2.9 – 116 psi)  
 Flow Rate | 10 – 2500 l/h (0.044 – 11 GPM)  
 Working temp | 4-40° C (39.2-104° F)  
 Coupling | 3/4"

\* Legs available upon request

## Available options

Manual ON/OFF    Hydraulic ON/OFF    Electric ON/OFF



## By Pass models



Internal bypass

\*Yellow sleeve



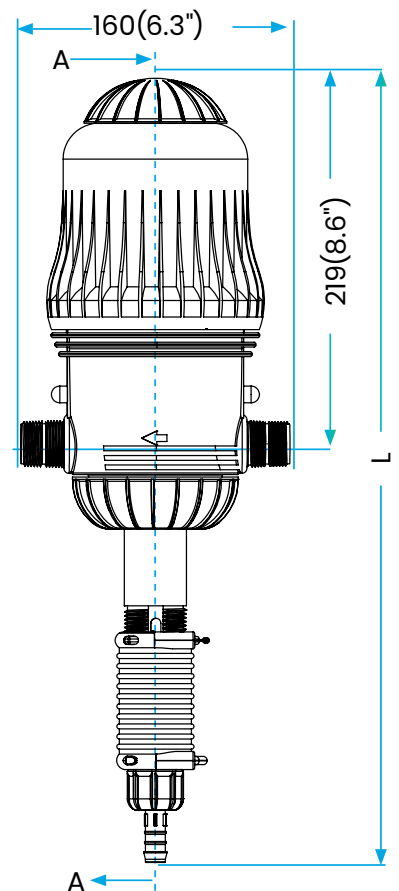
External bypass

\*Yellow sleeve

## Application Color Code

Application	Sleeve Color	TEFEN Code	Seal Material	Spring Material
Irrigation	Grey	STD	NBR	SST
Livestock	Red	PO	NBR, EPDM	SST, Hastelloy
Acids	White	PVDF	AFLAS	Hastelloy
Chlorine	Purple	CL	Viton	Hastelloy
Industry	Black	C	EPDM, AFLAS	SST, Hastelloy
Car Wash	Cyan	CW	AFLAS	SST, Hastelloy
By-Pass	Yellow	I / B	EPDM, AFLAS	SST, Hastelloy

	L (Height)	
	on/off	Air Release
Max.	528 (20.7")	496 (19.5")
Min.	497 (19.5")	457 (17.9")

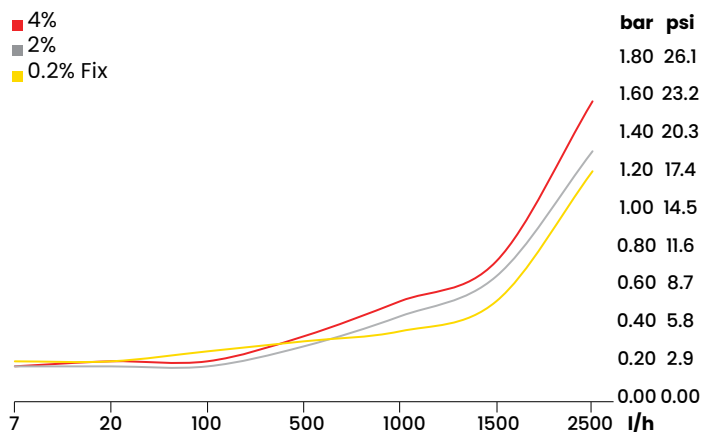


## Application Range

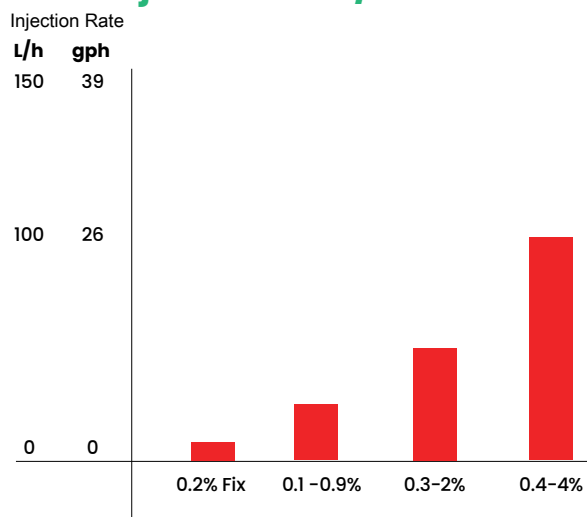
Dosage Rate %	Flow Rate Range	Pressure Range	Connectors Dia. Thread	Min-Max Injection Rate Per Hour	Suction Tube Dia.	Applications	Gross weight std unit
0.2% fix	10 - 2500 l/h	0.2 - 8 bar	3/4" BSPT	0.02 - 5 l/h	8 mm	Irrigation	1.4 KG
0.8% fix	10 - 2500 l/h	0.2 - 8 bar	3/4" BSPT	0.08 - 20 l/h	10 mm	Irrigation / Livestock	1.5 KG
1% fix	10 - 2500 l/h	0.2 - 8 bar	3/4" BSPT	0.01 - 25 l/h	10 mm	Irrigation / Livestock	1.8 KG
0.1% - 0.9%	10 - 2500 l/h	0.2 - 8 bar	3/4" BSPT	0.01 - 22.5 l/h	8 mm	Irrigation / Livestock / Chlorine / Car Wash / Acid	1.8 KG
0.3% - 2%	10 - 2500 l/h	0.2 - 8 bar	3/4" BSPT	0.03 - 50 l/h	10 mm	Irrigation / Livestock / Chlorine / Car Wash / Industry / Acid	1.8 KG
0.4% - 4%	10 - 2500 l/h	0.2 - 8 bar	3/4" BSPT	0.04 - 100 l/h	16 mm	Irrigation / Livestock / Chlorine / Car Wash / Industry / Acid	1.8 KG
0.1% - 0.9% bypass	20 - 2500 l/h	0.2 - 8 bar	3/4" BSPT	0.02 - 22.5 l/h	8 mm	Irrigation / Livestock / Chlorine / Acid	1.9 KG
0.3% - 2% bypass	20 - 2500 l/h	0.2 - 8 bar	3/4" BSPT	0.06 - 50 l/h	10 mm	Irrigation / Livestock / Chlorine / Acid	1.9 KG
0.4% - 4% bypass	20 - 2500 l/h	0.2 - 8 bar	3/4" BSPT	0.08 - 100 l/h	16 mm	Irrigation / Livestock / Chlorine / Acid	1.9 KG
0.1% - 0.9% Internal bypass	20 - 2500 l/h	0.2 - 8 bar	3/4" BSPT	0.02 - 22.5 l/h	8 mm	Irrigation / Livestock / Chlorine / Acid	1.9 KG
0.3% - 2% Internal bypass	20 - 2500 l/h	0.2 - 8 bar	3/4" BSPT	0.06 - 50 l/h	10 mm	Irrigation / Livestock / Chlorine / Acid	1.9 KG
0.4% - 4% Internal bypass	20 - 2500 l/h	0.2 - 8 bar	3/4" BSPT	0.08 - 100 l/h	16 mm	Irrigation / Livestock / Chlorine / Acid	1.9 KG

\* Low flow 7 l/h available in P0 model

## Pressure Loss



## Max. injection rate/h



# MixRite Dosing Pumps

**3.5 m<sup>3</sup>/h**

**MixRite 3.5**

## Technical Information

Water pressure	0.2 – 8 bar (2.9 – 116 psi)
Flow Rate	10 – 3500 l/h (0.04 – 15.4 GPM)
Working temp	4–40° C (39.2–104° F)
Coupling	3/4"

\* Legs available upon request

## Available options

Manual ON/OFF    Hydraulic ON/OFF    Electric ON/OFF



## By Pass models



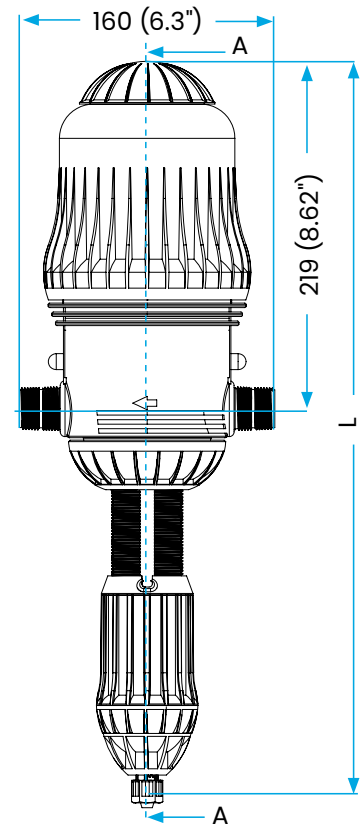
Internal bypass

\*Yellow sleeve

## Application Color Code

Application	Sleeve Color	TEFEN Code	Seal Material	Spring Material
Irrigation	Grey	STD	NBR	SST
Livestock	Red	PO	NBR, EPDM	SST, Hastelloy
Acids	White	PVDF	AFLAS	Hastelloy
Chlorine	Purple	CL	Viton	Hastelloy
Industry	Black	C	EPDM, AFLAS	SST, Hastelloy
Car Wash	Cyan	CW	AFLAS	SST, Hastelloy
By-Pass	Yellow	I / B	EPDM, AFLAS	SST, Hastelloy

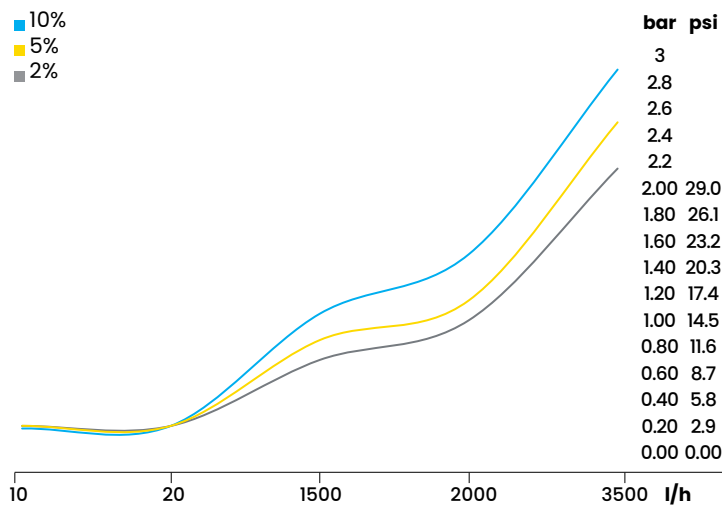
	L (Height)	
	On/Off	Air Release
Max.	551 (21.7")	486 (19.1")
Min.	471 (18.5")	447 (17.6")



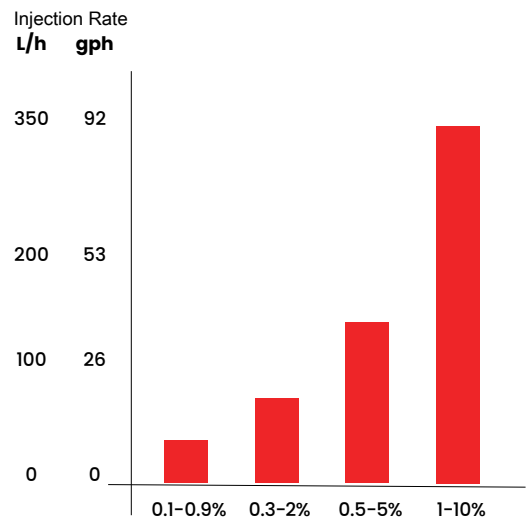
## Application Range

Dosage Rate %	Flow Rate Range	Pressure Range	Connectors Dia. Thread	Min-Max Injection Rate Per Hour	Suction Tube Dia.	Applications	Gross weight std unit
0.03% - 0.2%	10-3500 l/h	0.2 - 8 bar	3/4" BSPT	0.003 -7 l/h	8 mm	Chlorine / Car Wash	1.9 KG
0.1% - 0.9%	10-3500 l/h	0.2 - 8 bar	3/4" BSPT	0.01 -31.5 l/h	8 mm	Irrigation / Chlorine / Car Wash / Acid	1.9 KG
0.3% - 2%	10-3500 l/h	0.2 - 8 bar	3/4" BSPT	0.03 - 70 l/h	10 mm	Irrigation / Livestock / Industry / Chlorine / Acid	1.9 KG
0.5% - 5%	10-3500 l/h	0.2 - 8 bar	3/4" BSPT	0.05 - 175 l/h	16 mm	Irrigation / Livestock / Industry / Chlorine / Acid	1.9 KG
1% - 10%	50-3500 l/h	0.2 - 8 bar	3/4" BSPT	0.5 - 350 l/h	19 mm	Industry / Chlorine / Car Wash / Acid	3.6 KG
1% - 10% I.B.P	50-3500 l/h	0.2 - 8 bar	3/4" BSPT	0.5 - 350 l/h	19 mm	Irrigation / Livestock / Chlorine / Acid	3.6 KG

## Pressure Loss



## Max. injection rate/h



# MixRite Dosing Pumps



## 5 m<sup>3</sup>/h MixRite TF-5

### Technical Information

Water pressure	1 - 8 bar (14.5 - 116 PSI)
Flow Rate	0.1 - 5 m <sup>3</sup> /h (0.44 - 22 GPM)
Working temp	4-40° C (39.2-104° F)
Coupling	1" or 32 mm




\* Legs available upon request

### Available options

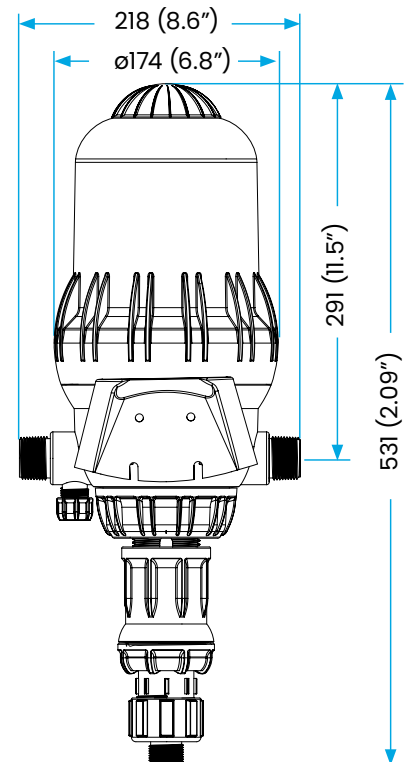
Manual ON/OFF	Hydraulic ON/OFF	Electric ON/OFF
------------------	---------------------	--------------------



### Application Color Code

Application	Sleeve Color	TEFEN Code	Seal Material	Spring Material
Irrigation		STD	NBR	SST, Hastelloy
Livestock		PO	EPDM	SST, Hastelloy
Chlorine		CL	Viton	Hastelloy

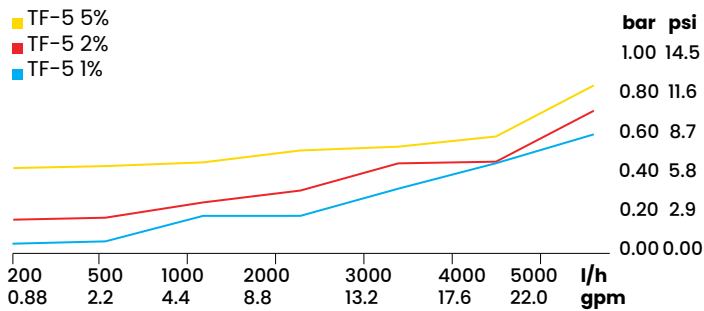
L (Height)	
On/Off	Air Release
Max. 680 (26.7")	595 (23.4")
Min. 585 (23")	545 (21.4")



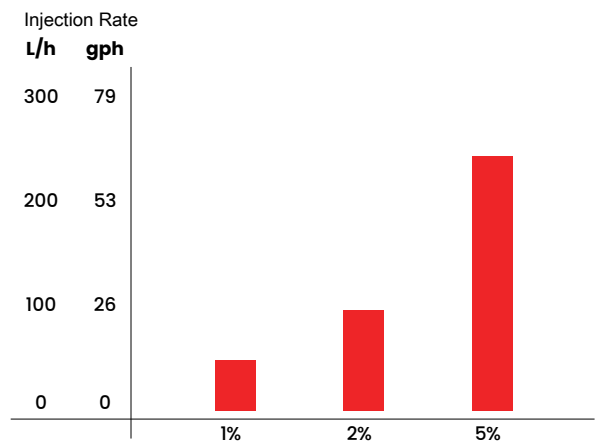
## Application Range

Dosage Rate %	Flow Rate Range	Pressure Range	Connectors Dia. Thread	Min-Max Injection Rate Per Hour	Suction Tube Dia.	Applications	Gross weight std unit
0.1% - 1%	0.1 - 5 m <sup>3</sup> /h	1 - 8 bar	1" BSPT	0.1 - 50 l/h	16 mm	Irrigation / Chlorine / Livestock	5 KG
0.2% - 2%	0.1 - 5 m <sup>3</sup> /h	1 - 8 bar	1" BSPT	0.2 - 100 l/h	16 mm	Irrigation / Chlorine / Livestock	5 KG
0.5% - 5%	0.1 - 5 m <sup>3</sup> /h	1 - 8 bar	1" BSPT	0.5 - 250 l/h	19 mm	Irrigation / Chlorine / Livestock	5 KG

## Pressure Loss



## Max. injection rate/h



# MixRite Dosing Pumps

## 10 m<sup>3</sup>/h MixRite TF-10

### Technical Information

Water pressure	1 - 8 bar (14.7 - 116 PSI)
Flow Rate	0.1 - 10 m <sup>3</sup> /h (0.44 - 45 GPM)
Working temp	4-40° C (39.2-104° F)
Coupling	1.5" or 50 mm



\* Legs available upon request

### Available options

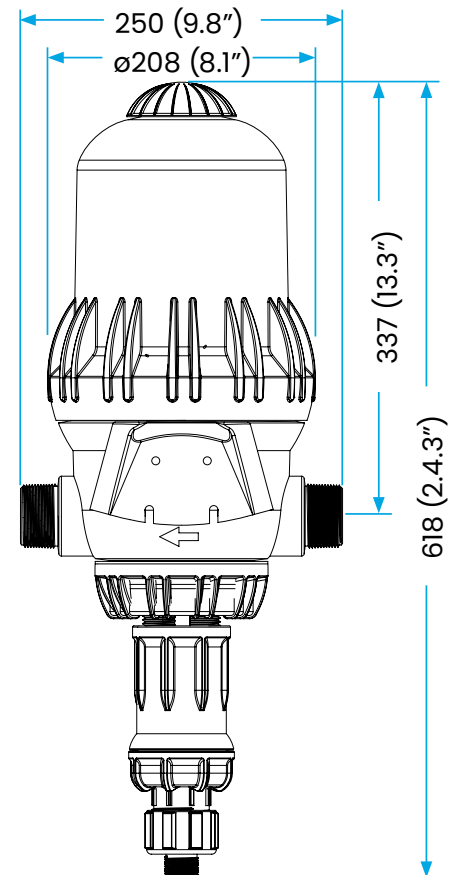
Manual ON/OFF	Hydraulic ON/OFF	Electric ON/OFF
		



### Application Color Code

Application	Sleeve Color	TEFEN Code	Seal Material	Spring Material
Irrigation		STD	NBR	SST, Hastelloy
Chlorine		CL	Viton	Hastelloy

	L (Height)	
	On/Off	Air Release
Max.	760 (29.9")	660 (26")
Min.	720 (28.34")	625 (24.6")

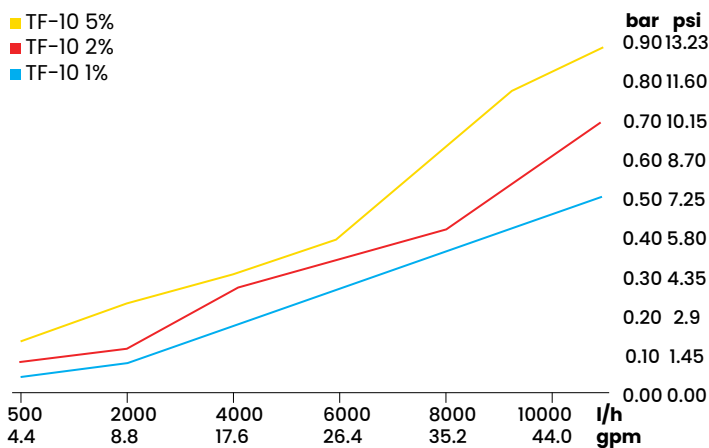




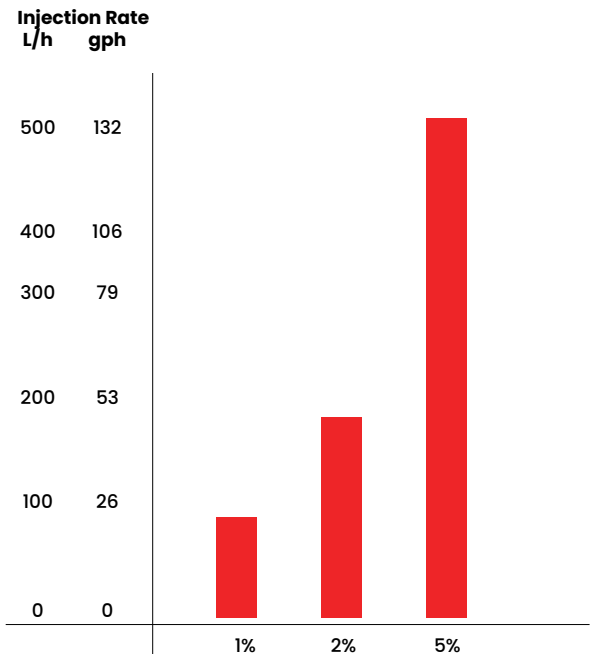
## Application Range

Dosage Rate %	Flow Rate Range	Pressure Range	Connectors Dia. Thread	Min-Max Injection w Rate Per Hour	Suction Tube Dia.	Applications	Gross weight std unit
0.1% - 1%	0.1 - 10 m <sup>3</sup> /h	1 - 8 bar	1 1/2" BSPT	0.1 - 100 l/h	19 mm	Irrigation / Chlorine / Livestock	7.3 KG
0.2% - 2%	0.1 - 10 m <sup>3</sup> /h	1 - 8 bar	1 1/2" BSPT	0.2 - 200 l/h	19 mm	Irrigation / Chlorine / Livestock	7.3 KG
1% - 5%	0.1 - 10 m <sup>3</sup> /h	1 - 8 bar	1 1/2" BSPT	1 - 500 l/h	19 mm	Irrigation / Chlorine / Livestock	7.3 KG

## Pressure Loss



## Max. injection rate/h



# MixRite Dosing Pumps

## 25 m<sup>3</sup>/h MixRite TF-25

### Technical Information

Water pressure	1 - 8 bar (14.7 - 120 PSI)
Flow Rate	0.2 - 25 m <sup>3</sup> /h (0.9-110 GPM)
Working temp	4-40° C (39.2-104° F)
Coupling	2" or 63 mm



\* Legs - Standard supply

### Available options

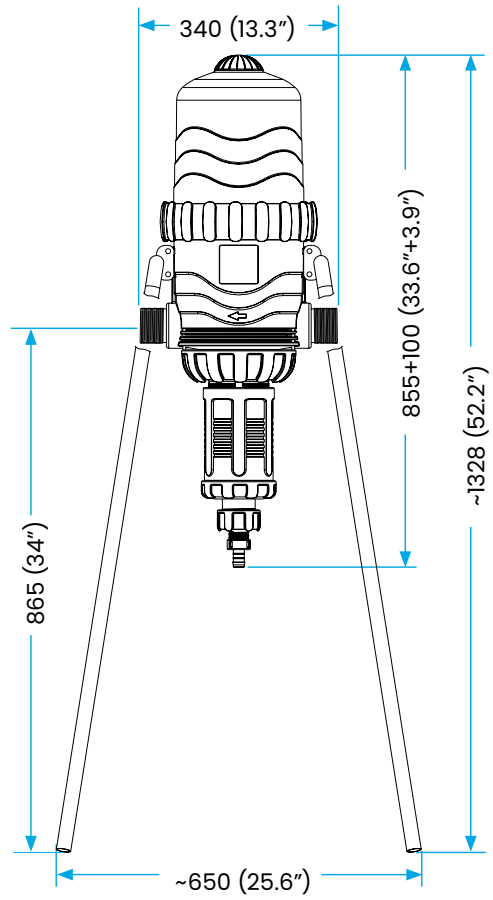
Manual ON/OFF	Hydraulic ON/OFF	Electric ON/OFF
		



### Application Color Code

Application	Sleeve Color	TEFEN Code	Seal Material	Spring Material
Irrigation		STD	NBR	SST, Hastelloy
Chlorine		CL	Viton	Hastelloy

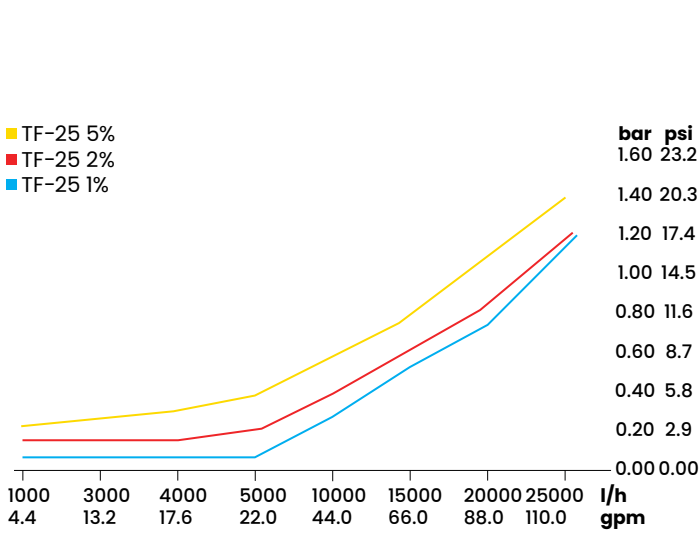
	L (Height)	
	On/Off	Air Release
Max.	1030 (40.5")	1000 (39.3")
Min.	880 (34.6")	900 (35.4")



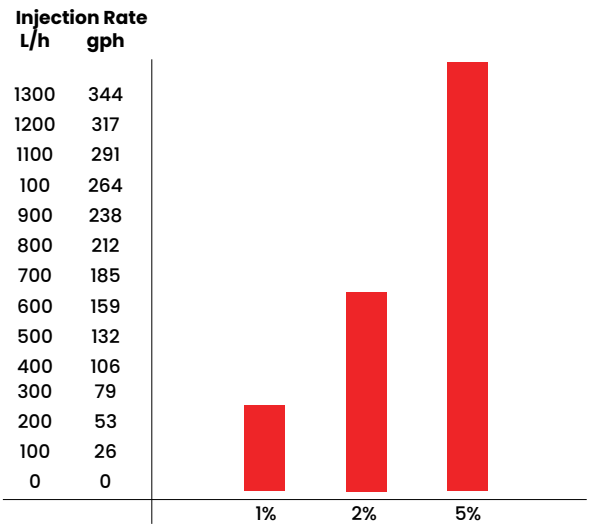
## Application Range

Dosage Rate %	Flow Rate Range	Pressure Range	Connectors Dia. Thread	Min-Max Injection Rate Per Hour	Suction Tube Dia.	Applications	Gross weight std unit
0.1% - 1%	0.2 - 25 m³/h	1 - 8 bar	2" BSPT	0.2 - 250 l/h	25 mm	Irrigation / Chlorine / Livestock	18.5 KG
0.3% - 2.5%	0.2 - 25 m³/h	1 - 8 bar	2" BSPT	0.6 - 625 l/h	25 mm	Irrigation / Chlorine / Livestock	18.5 KG
1% - 5.5%	0.2 - 25 m³/h	1 - 8 bar	2" BSPT	2.0 - 1375 l/h	25 mm	Irrigation / Chlorine / Livestock	18.5 KG

## Pressure Loss



## Max. injection rate/h



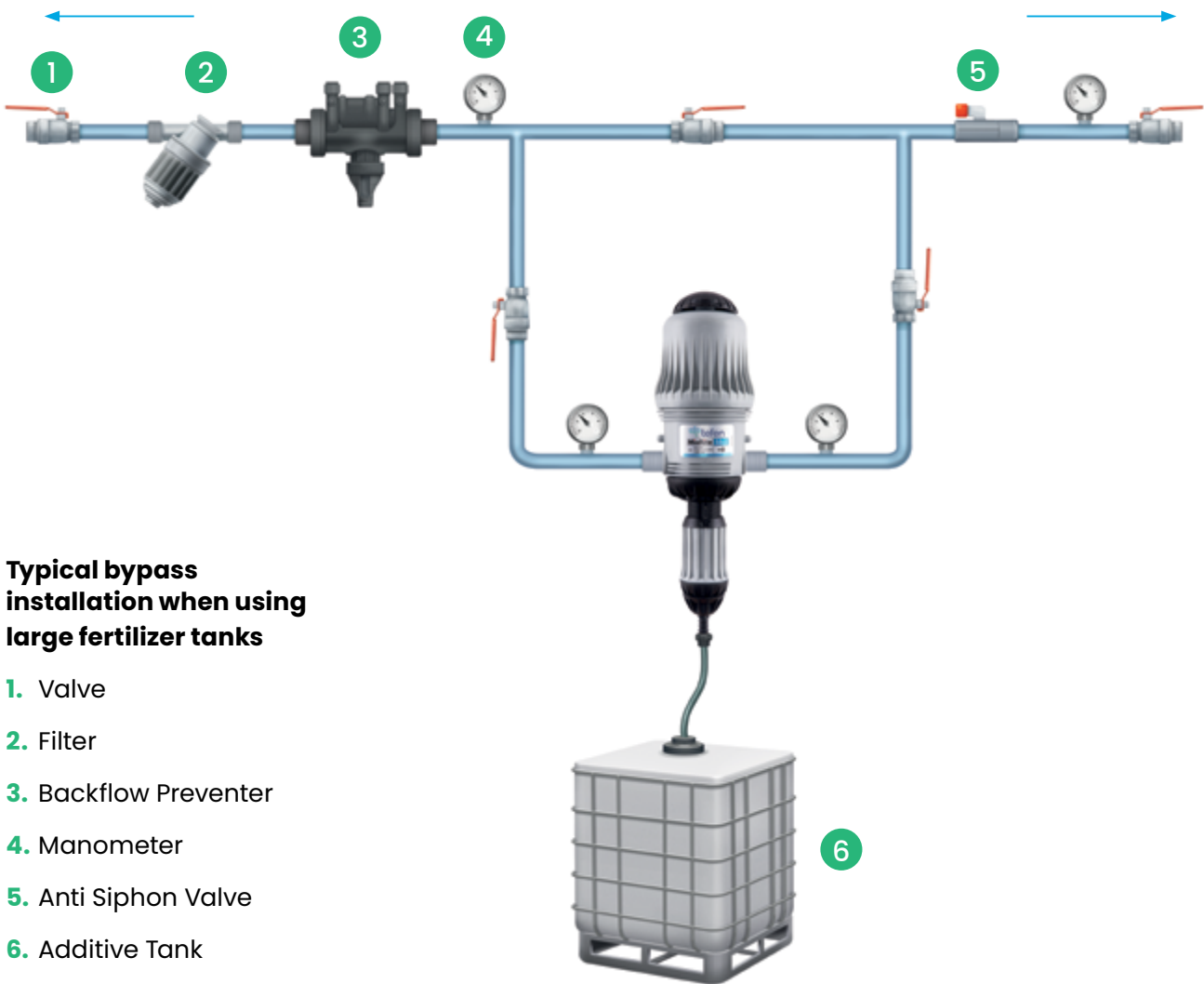
# MixRite Dosing Pumps

## Typical installation

### Available option

Tefen's Mixrite offers pumps for a variety of applications such as: cost effective fertilizing, adding medication for livestock, cleaning or disinfecting fluid lines, car washing, sanitizing

water systems and more. MixRite offers a wide range of sizes and flow rates, and can be installed in a broad array of system configurations, besides being put.



## Accessories



### 3/4" Anti Siphon Kit

Cat. No. 36073008002



### Plastic Wall Mounting Bracket

Cat No. 36030162765  
For all 3/4 MixRite models



### 3/4" Water Filter

Cat. No. 38000000172



### Manual ON/OFF Option



### Hydraulic Remote Control ON/OFF Option



### Legs

Compatible with 2.5 & 3.5 models  
Cat. No. 35100000064



### Pressure Check Socket



### Plastic Wall Mounting Bracket and Stand Base

Cat No. 35125011872  
For MixRite TF5 & TF10 models



### Stainless Steel Wall Mounting Bracket

Cat No. 35000000010  
For MixRite TF25 models



### Pulse Transmitter

## TreatRite – Water Treatment Line

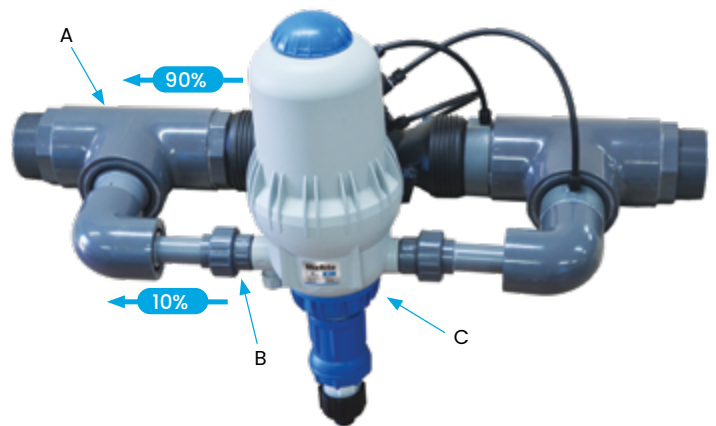
### Proportional and Automatic Bypass System

The TreatRite™ system provides a proportional method between the mainline (A) and the sub-mainline (B), supported by a sophisticated innovative hydraulic system.

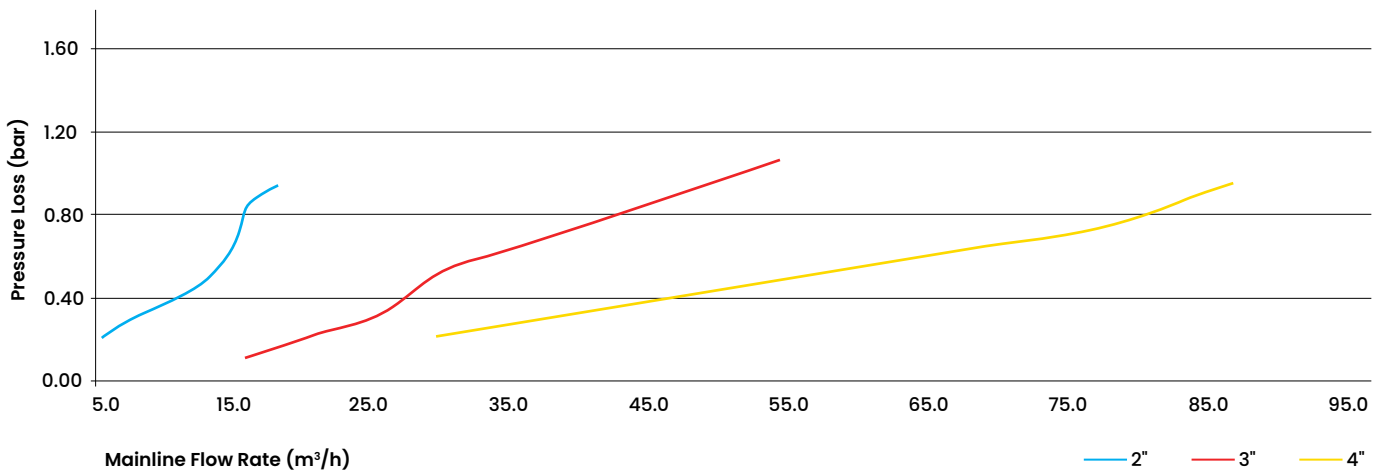
The MixRite™ pump is a volumetric, proportional unit. The combination between the MixRite™ Dosing Pump and the By-Pass unit creates a fully proportional dosing system.

This concept provides its user a perfect solution for water treatment. The end user of the TreatRite™ system can dose common additives for water treatment, such as: Sodium Hypochlorite, Chlorine Dioxide, and Hydrogen Peroxide.

The TreatRite™ system can be operated in various ranges as shown:



### Pressure Loss VS. Flow Rate



Flow Range m³/h	Dosage Range		A	B	C
	(%)	L/h			
6-25	0.003-1	0.18-250	2"	3/4"	MixRite™ 2.5/3.5
15-50	0.01-0.5	1.5-250	3"	1"	MixRite™ TF5
30-100	0.01-0.5	3-500	4"	1 1/2"	MixRite™ TF10

## MixRite™ range:

2.5



3.5



TF-5



TF-10



## Operating Principle:

- The pilot operating valve samples the pressure level at multiple points, and controls the opening condition of the diaphragm.
- This operation governs the flow rates to generate a stable 1:10 ratio between lines.

## Case Study (Water Treatment)

- Total water flow rate: 67.3 m<sup>3</sup>/h
- Desired dosage rate: 0.1%
- Additive amount: 67.3 x 0.1% = 0.0673 m<sup>3</sup>/h
- Relevant configuration: 4", 1.5"
- Main line water flow: 67.3 x 0.9 = 60.57 m<sup>3</sup>/h
- By-Pass water flow: 67.3 x 0.1 = 6.73 m<sup>3</sup>/h
- Relevant injector: TF10 0.2%-2%
- Dosage setting on injector: 0.0673 / 6.73 = 1%

## Features and Benefits

- Keeps constant proportional flow rate
- Hydraulic, volumetric and non-electric
- Dosing proportional to flowrate
- Precision: surface quality optimized with no waste
- Flow rate between main line and sub-main line will remain 10:1 at wide flow rates
- Working pressure up to 8 bar (116 PSI)
- High UV resistance
- High chemical resistance
- Supplied pre - set. no need for calibration
- Excellent dosing repeatability and homogeneity
- Easy to install, operate and maintain, with no electricity risk

# MixRite Special Solutions

## Watch Guard – Ultra Lean Dilution

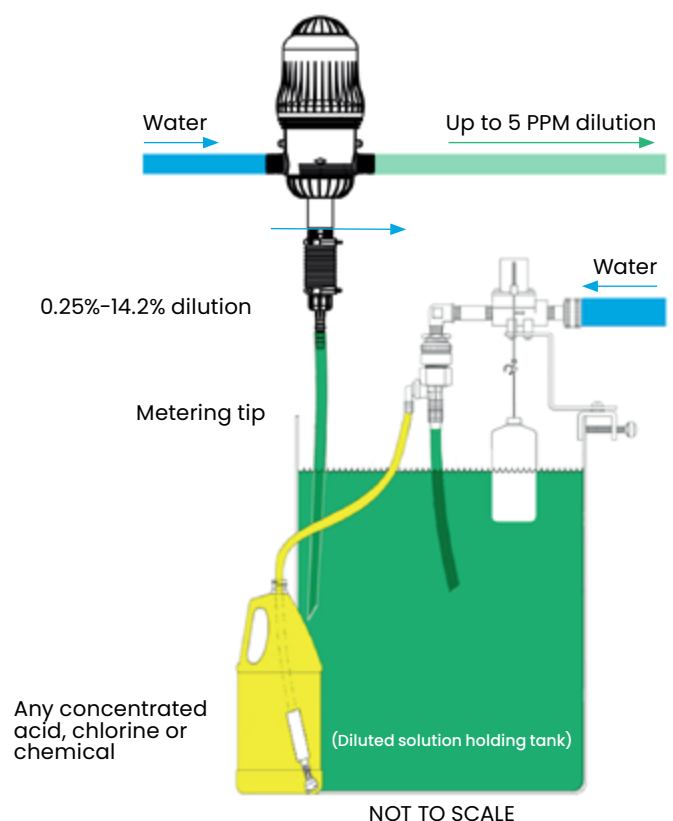
### Watch Guard Reservoir Float System and MixRite Water Driven Injectors



Watch Guard is the premier reservoir float valve dilution system designed to deliver diluted solutions into any drum, tote or other reservoir. Attached to a standard water supply, Watch Guard automatically activates and keeps the reservoir filled ensuring a constant supply of diluted solution for the MixRite system.

MixRite water driven injectors attach in-line to the water supply and use water pressure to accurately dilute solutions regardless of flow or pressure changes. When the Watch Guard is used in combination with any MixRite, ultra-lean dilutions as low as 5 parts per million are achievable.

- Achieve accurate ultra-lean dilution in 2 easy steps
- Effective with acid, chlorine and most any chemical
- Watch Guard is simple to mount on any drum, tote or other reservoir
- Automatically activates to keep reservoir full of diluted solution
- Metering tip included for dilutions from 0.25% to 14.2%
- Includes ASSE 1055B approved action gap backflow preventer
- MixRite attaches in-line to the water supply
- Delivers accurate proportioning regardless of water flow or pressure changes
- Multiple models available for injection rates from 1% to 10% and water flow from 227 – 25000 liter per hour





## Induction Ratios for Viscosities Shown

Metering Tip Color	1 cps	75 cps	200 cps
Tan	0.26%	0.20%	0.09%
Orange	0.33%	0.23%	0.14%
Turquoise	0.39%	0.26%	0.15%
Pink	0.61%	0.43%	0.24%
Clear	0.68%	0.52%	0.26%
Brown	0.78%	0.57%	0.29%
Red	1.08%	0.71%	0.35%
White	1.19%	0.78%	0.38%
Green	1.35%	0.95%	0.41%
Blue	1.67%	0.99%	0.42%
Yellow	2.38%	1.33%	0.44%
Black	3.57%	1.56%	0.45%
Purple	5.88%	1.89%	0.46%
Gray	7.69%	2.00%	0.49%
No tip	14.29%	2.50%	0.53%

## MixRite Dilution Ratios when combined with Watch Guard unit

<b>What is the dilution ration you are trying to achieve</b>	ppm	5	8	16	22	33	154	286	0.2%	500-1	<b>Set Mixrite to the following ratio / percentage</b>
	ppm	8	12	23	32	50	231	429	0.3%	333-1	
	ppm	13	20	39	54	83	385	714	0.5%	200-1	
	ppm	50	31	61	84	130	601	1116	0.8%	128-1	
	ppm	26	39	78	108	167	769	1429	1.0%	100-1	
	ppm	32	49	98	134	208	962	1786	1.3%	80-1	
	ppm	39	59	118	163	253	1166	2165	1.5%	66-1	
	ppm	45	69	137	189	292	1350	2506	1.8%	57-1	
	ppm	52	78	156	215	333	1538	2857	2.0%	50-1	
<b>Use Watch Guard with corresponding tip</b>	Tan	Turquoise	Brown	Red	Blue	Gray	No Tip	Percentage	Ratio		

Final Dilution with PPM is of the total chemical injected, not the active ingredient in chemical.

For example, if chemical is 10% active ingredient and final dilution is 100 PPM, then active ingredient PPM is 10.

## MixRite Electric Control

### Electric On/Off Control for Hydraulic Pumps

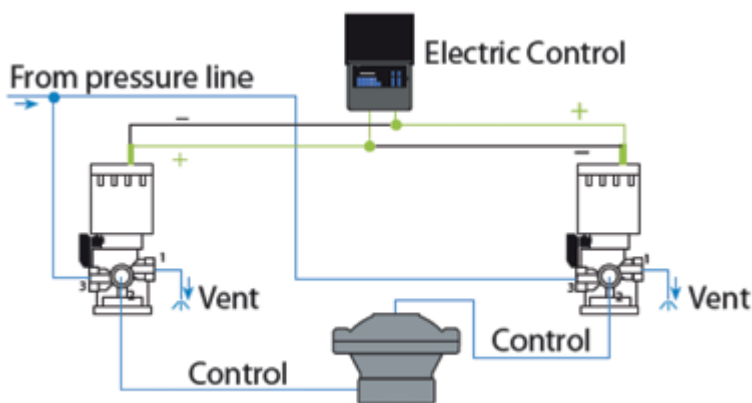
- MixRite Dosing Pump can be turned on and off via the irrigation control system
- System suits irrigation systems with a direct flow (DC) or an alternative flow (AC)
- System includes electric on/off kit. The device kit is installed on the pump's cover.
- Electrically controlled hydraulic pump can be converted to electrically controlled pump by replacing the cover with a cover with electric on/off



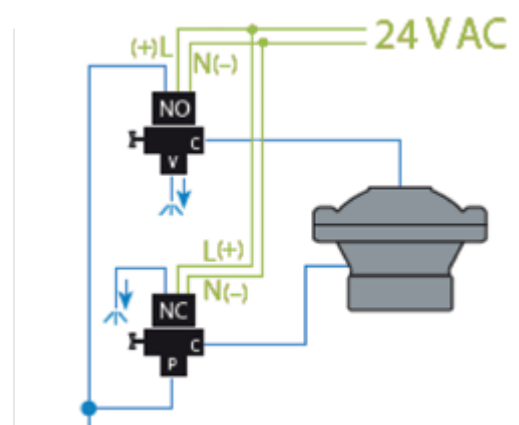
### Available Models:

- A. A. Hydraulic remote control On Off for MixRite and TF models by Tefen.
- B. B. Hydraulic Electric On Off 24 VAC operated.
- C. C. Hydraulic Electric On Off 12 - 40 VDC Latch or battery operated Irrigation controllers.

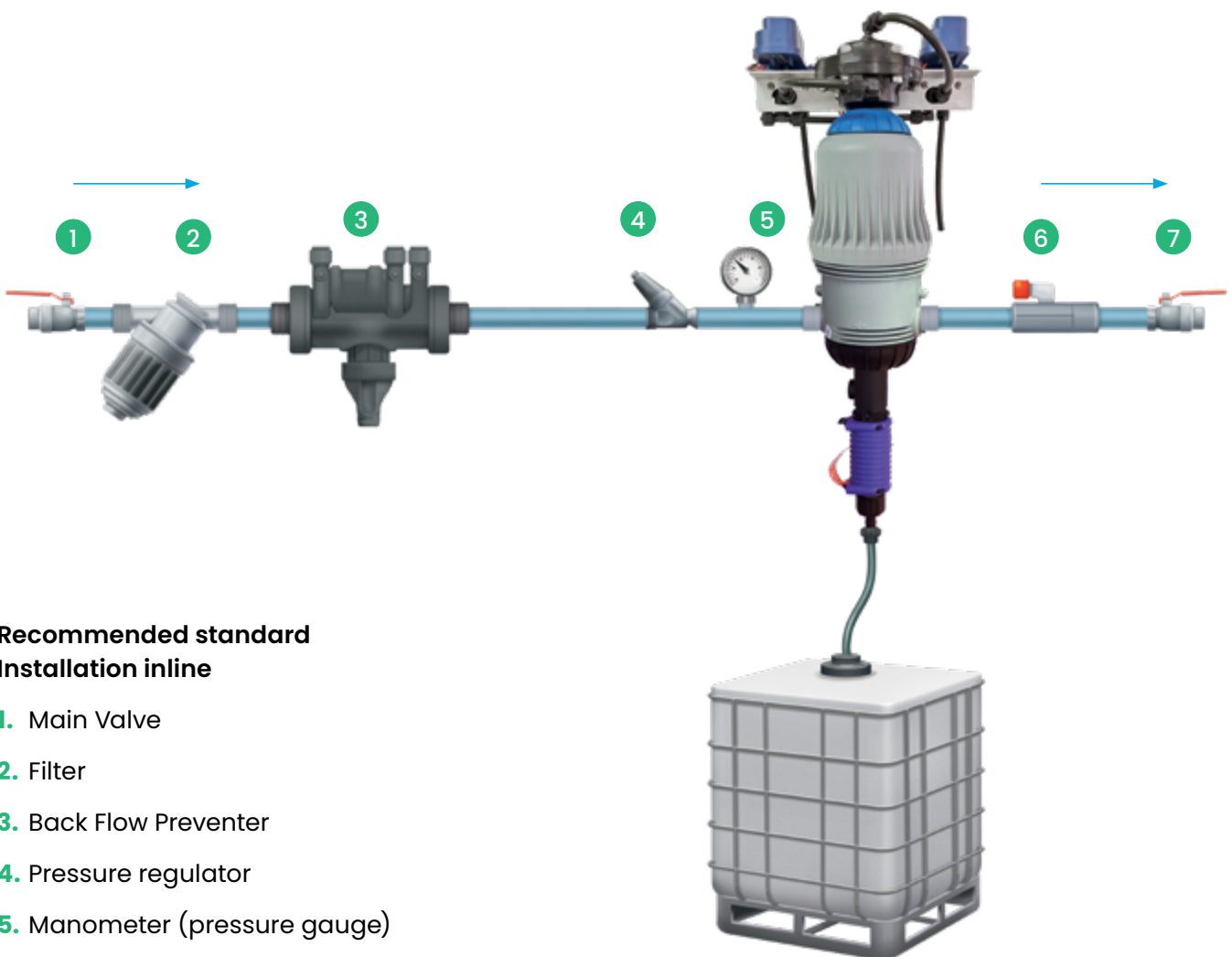
### 12-40 V DC Latch (pulse)



### 24 V AC Configuration



## Directly installed MixRite Pump can be controlled by irrigation control system



### Recommended standard Installation inline

1. Main Valve
2. Filter
3. Back Flow Preventer
4. Pressure regulator
5. Manometer (pressure gauge)
6. Anti Siphon Valve
7. Operation Valve