

HOSE FITTINGS

Tefen hose fittings are the perfect choice to connect all types of flexible rubber and plastic tubes in domestic, industrial and all other general applications.

Main advantages:

- Strong and durable, high impact resistant, all sizes are true outside diameter of the fittings, and will match Nylon 6-6 inside diameter of the tube. In order to secure tube on the fitting barb, it is recommended to use Tefen's snap clip or similar metal or plastic clip.
- How to use: push the tube onto the barb all the way to the stopper.
- Secure the tube tightly with a proper size snap clip.



Food Contact
FDA 21 CFR
For blue Nylon
6-6 only



Food Contact
(EU) 1935/2004
For blue Nylon
6-6 only



For blue, gray & black
Nylon 6-6 only



P. 61



P. 62



P. 63



P. 64



P. 65



P. 66



P. 67



P. 68



P. 68



P. 69



P. 69



P. 70



P. 70



P. 71



P. 73



P. 74



P. 75

Nylon 6-6



Working pressure
Up to 14 BAR
(200 psi) at 20 °C

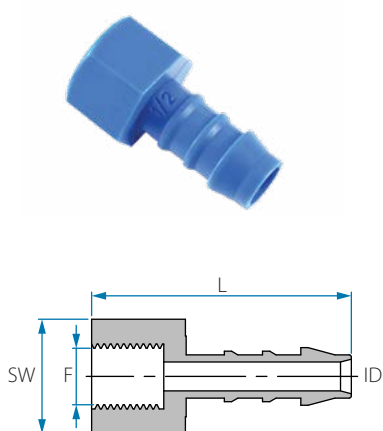


Temperature
-20 °C -110 °C
(subject to application)



Fittings' dimensions
refer to tube ID or OD,
with respect to the
common application

BSPT Female Connector



Cat. No.	Tube ID mm	F (BSPT)	L mm	SW	Color
12446745028	5	1/8"	34.4	14	
12446745048	5	1/4"	35.2	17	
12446745068	5	3/8"	36.5	22	
12446745088	5	1/2"	38.7	26	
12446746028	6	1/8"	36.3	14	
12446746048	6	1/4"	37.2	17	
12446746068	6	3/8"	38.3	22	
12446746088	6	1/2"	40.8	26	
12446748028	8	1/8"	39.4	14	
12446748048	8	1/4"	39.4	17	
12446748068	8	3/8"	40.4	22	
12446748088	8	1/2"	42.7	26	
12446750048	10	1/4"	41.5	17	
12446750068	10	3/8"	42.3	22	
12446750088	10	1/2"	45.0	26	
12446752048	12	1/4"	42.4	17	
12446752068	12	3/8"	43.3	22	
12446752088	12	1/2"	46.0	26	
12446754068	14	3/8"	45.0	22	
12446754088	14	1/2"	47.3	26	
12446756088	16	1/2"	48.1	26	
12446759088	19	1/2"	48.8	26	
12446748041	8	1/4"	39.4	17	<input type="checkbox"/> White

Blue

Note: Packing 25 unit

Fittings Products

Hose Fittings

Nylon 6-6



Working pressure
Up to 14 BAR
(200 psi) at 20 °C

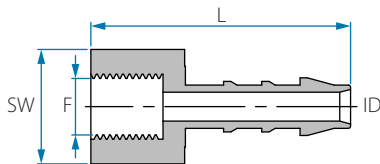


Temperature
-20 °C -110 °C
(subject to application)



Fittings' dimensions
refer to tube ID or OD,
with respect to the
common application

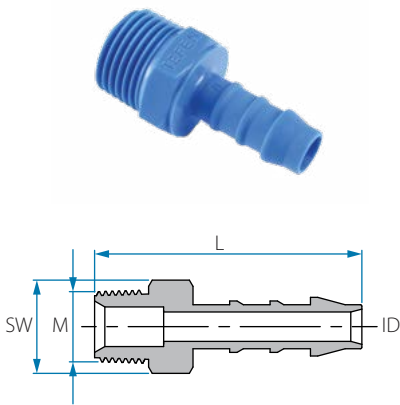
NPT Female Connector



Cat. No.	Tube ID inch	F (NPT)	L mm	SW	Color
12256704023	1/4"	1/8"	36.7	14	
12256704043	1/4"	1/4"	40.1	17	
12256704063	1/4"	3/8"	40.0	22	
12256704083	1/4"	1/2"	43.7	27	
12256705023	5/16"	1/8"	38.9	14	
12256705043	5/16"	1/4"	41.8	17	
12256705063	5/16"	3/8"	42.0	22	
12256705083	5/16"	1/2"	45.0	27	
12256706043	3/8"	1/4"	44.1	17	
12256706063	3/8"	3/8"	43.9	22	Grey
12256706083	3/8"	1/2"	47.2	27	
12256708043	1/2"	1/4"	44.7	17	
12256708063	1/2"	3/8"	45.2	22	
12256708083	1/2"	1/2"	48.8	27	
12256709063	9/16"	3/8"	46.5	22	
12256709083	9/16"	1/2"	50.3	27	
12256710083	5/8"	1/2"	50.4	27	
12256712083	3/4"	1/2"	51.7	27	

Note: Packing 25 unit

BSPT Male Hose Connector



Cat. No.	Tube ID mm	M (BSPT)	L mm	SW	Color
12446844028	4	1/8"	31.2	11	
12446844048	4	1/4"	33.8	14	
12446845028	5	1/8"	34.7	11	
12446845048	5	1/4"	38.3	14	
12446845088	5	1/2"	41.4	22	
12446846028	6	1/8"	35.3	11	
12446846048	6	1/4"	39.2	14	
12446846068	6	3/8"	39.1	17	
12446846088	6	1/2"	42.3	22	
12446846128	6	3/4"	43.0	22	
12446848028	8	1/8"	39.8	11	
12446848048	8	1/4"	43.0	14	
12446848068	8	3/8"	43.0	17	
12446848088	8	1/2"	46.1	22	
12446848128	8	3/4"	47.1	27	
12446850048	10	1/4"	45.2	14	
12446850068	10	3/8"	45.2	17	Blue
12446850088	10	1/2"	48.3	22	
12446850128	10	3/4"	49.3	27	
12446852048	12	1/4"	46.0	14	
12446852068	12	3/8"	46.0	17	
12446852088	12	1/2"	49.3	22	
12446852128	12	3/4"	50.0	27	
12446854068	14	3/8"	47.5	17	
12446854088	14	1/2"	50.8	22	
12446854128	14	3/4"	51.7	27	
12446856088	16	1/2"	51.3	22	
12446856128	16	3/4"	52.2	27	
12446859088	19	1/2"	52.2	22	
12446859128	19	3/4"	53.3	27	
12446859168	19	1"	60.1	36	
12446865128	25	3/4"	54.8	27	
12446865168	25	1"	66.6	36	

Note: Packing 25 unit

Fittings Products

Hose Fittings

Nylon 6-6



Working pressure
Up to 14 BAR
(200 psi) at 20 °C

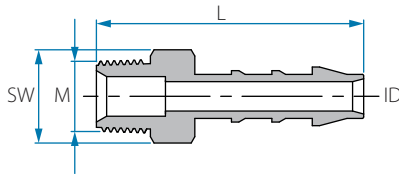


Temperature
-20 °C -110 °C
(subject to application)



Fittings' dimensions
refer to tube ID or OD,
with respect to the
common application

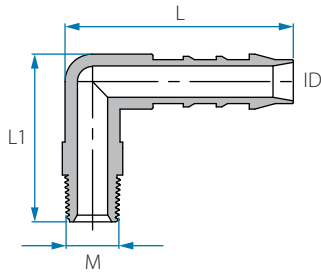
NPT Male Hose Connector



Cat. No.	Tube ID inch	M (NPT)	L mm	SW	Color
12256802023	5/32"	1/8"	30.7	11	
12256802043	5/32"	1/4"	35.3	14	
12256803023	3/16"	1/8"	36.3	11	
12256803043	3/16"	1/4"	39.7	14	
12256804023	1/4"	1/8"	36.1	11	
12256804043	1/4"	1/4"	40.6	14	
12256804063	1/4"	3/8"	41.9	17	
12256804083	1/4"	1/2"	46.7	22	
12256805023	5/16"	1/8"	40.2	11	
12256805043	5/16"	1/4"	44.7	14	
12256805063	5/16"	3/8"	45.9	17	
12256805083	5/16"	1/2"	51.0	22	
12256806043	3/8"	1/4"	46.5	14	
12256806063	3/8"	3/8"	47.7	17	Grey
12256806083	3/8"	1/2"	53.2	22	
12256806123	3/8"	3/4"	54.3	27	
12256808043	1/2"	1/4"	47.7	14	
12256808063	1/2"	3/8"	48.9	17	
12256808083	1/2"	1/2"	53.7	22	
12256808123	1/2"	3/4"	54.7	27	
12256809063	9/16"	3/8"	51.0	17	
12256809083	9/16"	1/2"	55.4	22	
12256809123	9/16"	3/4"	56.1	27	
12256810083	5/8"	1/2"	56.3	22	
12256810123	5/8"	3/4"	56.8	27	
12256812083	3/4"	1/2"	56.9	22	
12256812123	3/4"	3/4"	57.7	27	

Note: Packing 25 unit

BSPT Male Elbow Hose Connector



Cat. No.	Tube ID mm	M (BSPT)	L mm	L1 mm	Color
12446944028	4	1/8"	26.7	24.1	
12446944048	4	1/4"	26.7	27.2	
12446945028	5	1/8"	31.8	26.8	
12446945048	5	1/4"	32.0	29.8	
12446945088	5	1/2"	31.8	33.0	
12446946028	6	1/8"	35.5	27.3	
12446946048	6	1/4"	35.5	29.8	
12446946068	6	3/8"	35.5	30.0	
12446946088	6	1/2"	35.5	33.7	
12446948028	8	1/8"	41.5	30.4	
12446948048	8	1/4"	41.5	32.8	
12446948068	8	3/8"	41.5	32.8	
12446948088	8	1/2"	41.5	36.8	
12446950048	10	1/4"	45.5	33.9	
12446950068	10	3/8"	45.5	34.1	
12446950088	10	1/2"	45.5	37.8	
12446950128	10	3/4"	45.5	38.9	
12446952048	12	1/4"	48.7	35.0	
12446952068	12	3/8"	48.7	35.3	
12446952088	12	1/2"	48.7	39.0	
12446952128	12	3/4"	48.7	39.7	
12446954068	14	3/8"	51.4	38.5	
12446954088	14	1/2"	51.4	42.3	
12446954128	14	3/4"	51.4	43.3	
12446956088	16	1/2"	53.7	44.9	
12446956128	16	3/4"	53.7	46.0	
12446959088	19	1/2"	56.0	46.4	
12446959128	19	3/4"	56.4	47.5	

Blue

Note: Packing 25 unit

Fittings Products

Hose Fittings

Nylon 6-6



Working pressure
Up to 14 BAR
(200 psi) at 20 °C

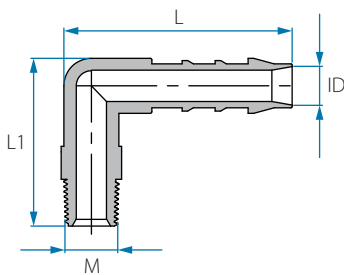


Temperature
-20 °C -110 °C
(subject to application)



Fittings' dimensions
refer to tube ID or OD,
with respect to the
common application

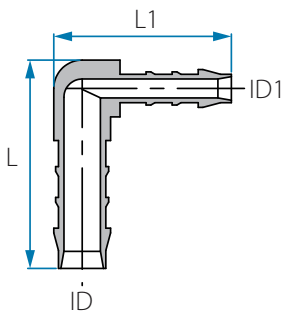
NPT Male Elbow Hose Connector



Cat. No.	Tube ID inch	M (NPT)	L mm	L1 mm	Color
12256902023	5/32"	1/8"	25.7	26.0	
12256902043	5/32"	1/4"	25.9	31.1	
12256903023	3/16"	1/8"	31.8	28.6	
12256903043	3/16"	1/4"	33.4	31.8	
12256903083	3/16"	1/2"	41.8	31.8	
12256904023	1/4"	1/8"	35.4	29.0	
12256904043	1/4"	1/4"	35.5	33.7	
12256904063	1/4"	3/8"	35.5	33.8	
12256904083	1/4"	1/2"	42.2	35.5	
12256905023	5/16"	1/8"	41.5	32.1	
12256905043	5/16"	1/4"	41.2	36.7	
12256905063	5/16"	3/8"	41.5	36.6	
12256905083	5/16"	1/2"	41.5	43.1	
12256906043	3/8"	1/4"	45.4	37.7	
12256906063	3/8"	3/8"	45.3	37.5	
12256906083	3/8"	1/2"	45.4	44.4	
12256906123	3/8"	3/4"	45.4	44.0	
12256908043	1/2"	1/4"	48.6	39.0	
12256908063	1/2"	3/8"	48.3	28.6	
12256908083	1/2"	1/2"	48.7	45.2	
12256908123	1/2"	3/4"	48.7	45.2	
12256909063	9/16"	3/8"	51.4	42.2	
12256909083	9/16"	1/2"	51.4	48.6	
12256909123	9/16"	3/4"	51.5	48.5	
12256910083	5/8"	1/2"	53.8	51.5	
12256910123	5/8"	3/4"	53.8	51.4	
12256912083	3/4"	1/2"	56.6	52.8	
12256912123	3/4"	3/4"	56.2	53.0	

Grey

Note: Packing 25 unit



Reducing Elbow Hose Connector

Cat. No.	Tube ID mm	Tube ID1 mm	L mm	L1 mm	Color
12446645448	5	4	31.8	27.8	Blue
12446646448	6	4	35.5	29.0	
12446646458	6	5	35.4	34.1	
12446648468	8	6	41.6	39.3	
12446650468	10	6	45.3	40.1	
12446650488	10	8	42.1	45.2	
12446652508	12	10	48.7	45.6	
12446654528	14	12	51.5	49.6	
12446656548	16	14	53.8	53.6	
12446659568	19	16	56.2	56.1	

Cat. No.	Tube ID inch	Tube ID1 inch	L mm	L1 mm	Color
12256603023	3/16"	5/32"	31.8	27.9	Grey
12256604033	1/4"	3/16"	35.4	34.1	
12256605043	5/16"	1/4"	39.4	41.6	
12256606043	3/8"	1/4"	40.2	45.3	
12256606053	3/8"	5/16"	42.5	45.5	
12256608063	1/2"	3/8"	45.8	48.6	
12256609083	9/16"	1/2"	49.8	51.1	
12256610093	5/8"	9/16"	53.6	53.6	
12256612103	3/4"	5/8"	55.8	55.8	

Note: Packing 25 unit

Fittings Products

Hose Fittings

Nylon 6-6



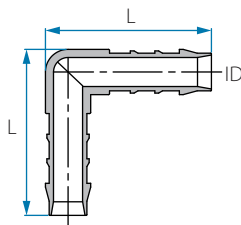
Working pressure
Up to 14 BAR
(200 psi) at 20 °C



Temperature
-20 °C -110 °C
(subject to application)



Fittings' dimensions
refer to tube ID or OD,
with respect to the
common application



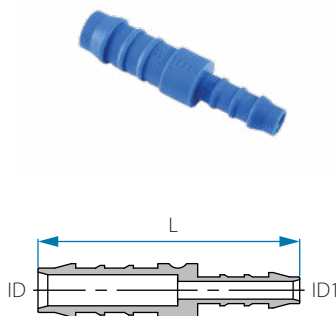
Union Elbow Hose Connector

Cat. No.	Tube ID mm	L mm	Color
12446544008	4	26.3	
12446545008	5	31.7	
12446546008	6	35.5	
12446548008	8	41.4	
12446550008	10	44.6	Blue
12446552008	12	46.3	
12446554008	14	51.0	
12446556008	16	53.9	
12446559008	19	55.8	

Cat. No.	Tube ID inch	L mm	Color
12256502003	5/32"	25.6	
12256503003	3/16"	33.2	
12256504003	1/4"	36.1	
12256505003	5/16"	41.4	
12256506003	3/8"	44.6	Grey
12256508003	1/2"	47.6	
12256509003	9/16"	51.2	
12256510003	5/8"	54.3	
12256512003	3/4"	56.7	

Note: Packing 25 unit

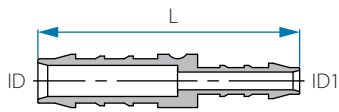
Reducing Hose Connector



Cat. No.	Tube ID mm	Tube ID1 mm	L mm	Color
12445645448	5	4	42.2	
12445646448	6	4	45.7	
12445646458	6	5	50.6	
12445648458	8	5	54.4	
12445648468	8	6	56.3	
12445650468	10	6	58.9	
12445650488	10	8	62.0	
12445652488	12	8	63.8	Blue
12445652508	12	10	65.3	
12445654508	14	10	69.1	
12445654528	14	12	69.9	
12445656528	16	12	70.3	
12445656548	16	14	71.7	
12445659548	19	14	72.7	
12445659568	19	16	73.2	

Note: Packing 25 unit

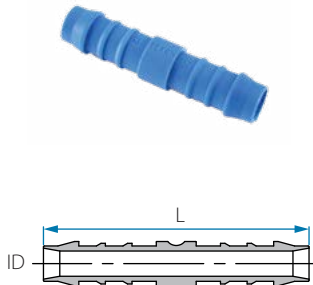
Reducing Hose Connector



Cat. No.	Tube ID inch	Tube ID1 inch	L mm	Color
12255603023	3/16"	5/32"	42.2	Grey
12255604023	1/4"	5/32"	45.7	
12255604033	1/4"	3/16"	50.6	
12255605033	5/16"	3/16"	54.4	
12255605043	5/16"	1/4"	56.3	
12255606043	3/8"	1/4"	58.9	
12255606053	3/8"	5/16"	62.0	
12255608053	1/2"	5/16"	63.8	
12255608063	1/2"	3/8"	65.3	
12255609063	9/16"	3/8"	69.1	
12255609083	9/16"	1/2"	69.9	
12255610083	5/8"	1/2"	70.3	
12255610093	5/8"	9/16"	71.7	
12255612093	3/4"	9/16"	72.7	
12255612103	3/4"	5/8"	73.2	

Note: Packing 25 unit

Union Hose Connector



Cat. No.	Tube ID mm	L mm	Color
12446244008	4	36.6	Blue
12446245008	5	48.5	
12446246008	6	52.2	
12446248008	8	59.3	
12446250008	10	63.0	
12446252008	12	66.0	
12446254008	14	71.8	
12446256008	16	72.5	
12446259008	19	73.5	

Cat. No.	Tube ID mm	L mm	Color
12446248001	8	60	White

Cat. No.	Tube ID inch	L mm	Color
12256202003	5/32"	36.6	Grey
12256203003	3/16"	47.0	
12256204003	1/4"	52.2	
12256205003	5/16"	59.3	
12256206003	3/8"	63.0	
12256208003	1/2"	66.3	
12256209003	9/16"	71.9	
12256210003	5/8"	71.4	
*12256211003	11/16"	59.1	
12256212003	3/4"	73.8	

*Note: Packing 25 unit

Fittings Products

Hose Fittings

Nylon 6-6



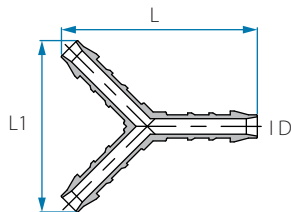
Working pressure
Up to 14 BAR
(200 psi) at 20 °C



Temperature
-20 °C -110 °C
(subject to application)



Fittings' dimensions
refer to tube ID or OD,
with respect to the
common application

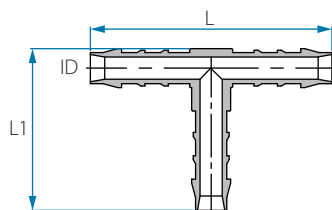


Y Hose Connector

Cat. No.	Tube ID mm	L mm	L1 mm	Color
12446344448	4	35.0	31.0	
12446346468	6	51.2	44.5	
12446348488	8	56.6	40.6	Blue
12446350508	10	62.3	55.0	
12446357578	13.3	63.3	57.7	

Cat. No.	Tube ID inch	L mm	L1 mm	Color
12256302023	5/32"	35.5	30.8	
12256304043	1/4"	50.8	44.3	
12256305053	5/16"	55.6	49.4	Grey
12256306063	3/8"	60.8	54.9	
12256311113	1 1/16"	62.5	57.4	

Note: Packing 25 unit

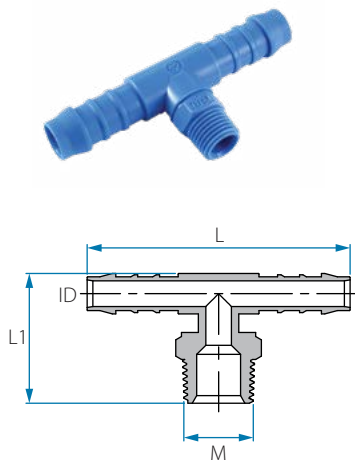


Union T Hose Connector

Cat. No.	Tube ID mm	L mm	L1 mm	Color
12446444448	4	40	24.3	
12446445458	5	50.95	30.8	
12446446468	6	56	32.2	
12446448488	8	61.7	38.5	
12446450508	10	67	41.8	Blue
12446452528	12	70.86	45.1	
12446454548	14	76.6	49.1	
12446456568	16	79.6	52.1	
12446459598	19	80.0	56.0	
12446456562	16	79.6	52.1	Black

Cat. No.	Tube ID inch	L mm	L1 mm	Color
12256402023	5/32"	40	24.3	
12256403033	3/16"	50.95	30.9	
12256404043	1/4"	56	32.2	
12256405053	5/16"	61.2	38.2	
12256406063	3/8"	67.0	41.8	Grey
12256408083	1/2"	70.86	45.1	
12256409093	9/16"	76.6	49.1	
12256410103	5/8"	79.6	51.4	
12256412123	3/4"	80.0	56	

Note: Packing 25 unit



BSPT Male Branch T Hose Connector

Cat. No.	Tube ID mm	M (BSPT)	L mm	L1 mm	Color
12447144028	4	1/8"	39.4	22.2	
12447144048	4	1/4"	45.2	27.0	
12447145028	5	1/8"	50.9	23.8	
12447145048	5	1/4"	56.5	29.6	
12447146028	6	1/8"	55.8	24.8	
12447146048	6	1/4"	63.1	30.0	
12447146068	6	3/8"	63.1	30.0	
12447146088	6	1/2"	63.1	33.8	
12447148028	8	1/8"	61.7	27.3	
12447148048	8	1/4"	72.7	33.1	
12447148068	8	3/8"	72.7	33.1	
12447148088	8	1/2"	61.8	33.9	
12447150048	10	1/4"	78.7	34.1	
12447150068	10	3/8"	78.7	34.1	Blue
12447150088	10	1/2"	78.9	38.1	
12447150128	10	3/4"	78.9	39.1	
12447152048	12	1/4"	82.7	35.2	
12447152068	12	3/8"	82.7	35.2	
12447152088	12	1/2"	82.6	39.1	
12447152128	12	3/4"	82.6	40.0	
12447154068	14	3/8"	85.6	38.5	
12447154088	14	1/2"	85.6	42.1	
12447154128	14	3/4"	85.6	43.3	
12447156088	16	1/2"	88.2	45.0	
12447156128	16	3/4"	88.5	46.3	
12447159088	19	1/2"	90.3	46.3	
12447159128	19	3/4"	90.7	47.7	

Note: Packing 25 unit

Fittings Products

Hose Fittings

Nylon 6-6



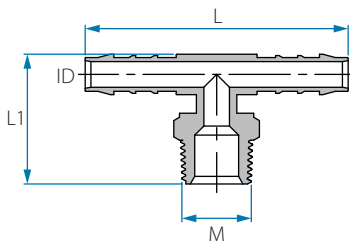
Working pressure
Up to 14 BAR
(200 psi) at 20 °C



Temperature
-20 °C -110 °C
(subject to application)



Fittings' dimensions
refer to tube ID or OD,
with respect to the
common application

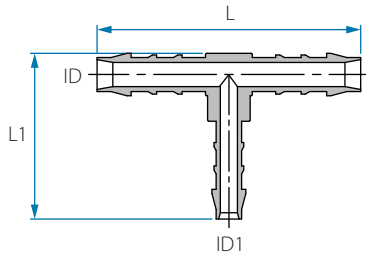


NPT Male Branch T Hose Connector

Cat. No.	Tube ID inch	M (NPT)	L mm	L1 mm	Color
12257103083	3/16"	1/2"	56.3	39.3	
12257104023	1/4"	1/8"	63.0	29.4	
12257104043	1/4"	1/4"	63.0	33.8	
12257104063	1/4"	3/8"	63.0	33.7	
12257104083	1/4"	1/2"	63.0	40.3	
12257105023	5/16"	1/8"	72.5	32.3	
12257105043	5/16"	1/4"	72.5	36.8	
12257105063	5/16"	3/8"	72.5	36.9	
12257105083	5/16"	1/2"	72.5	42.8	
12257106043	3/8"	1/4"	78.5	38.0	
12257106063	3/8"	3/8"	78.5	37.7	
12257106083	3/8"	1/2"	78.5	44.0	
12257106123	3/8"	3/4"	78.5	43.8	Grey
12257108043	1/2"	1/4"	82.6	39.3	
12257108063	1/2"	3/8"	82.6	38.8	
12257108083	1/2"	1/2"	82.6	45.5	
12257108123	1/2"	3/4"	82.6	45.5	
12257109063	9/16"	3/8"	85.2	42.6	
12257109083	9/16"	1/2"	85.2	48.3	
12257109123	9/16"	3/4"	85.2	48.3	
12257110083	5/8"	1/2"	88.4	51.5	
12257110123	5/8"	3/4"	88.4	51.1	
12257112083	3/4"	1/2"	90.5	53.0	
12257112123	3/4"	3/4"	90.5	52.5	

Note: Packing 25 unit

Reducing T Hose Connector



Cat. No.	Tube ID mm	Tube ID1 mm	L mm	L1 mm	Color
12447245448	5	4	50.7	25.7	Blue
12447246458	6	5	55.7	31.8	
12447248468	8	6	61.5	36.2	
12447250488	10	8	66.5	39.3	
12447252508	12	10	70.6	44.5	
12447254528	14	12	76.7	44.5	
12447256548	16	14	79.5	51.1	
12447259568	19	16	84.6	55.4	

Note: Packing 25 unit

Cat. No.	Tube ID inch	Tube ID1 inch	L mm	L1 mm	Color
12257203023	$\frac{3}{16}$ "	$\frac{5}{32}$ "	50.6	25.9	Grey
12257204033	$\frac{1}{4}$ "	$\frac{3}{16}$ "	55.8	32.0	
12257205043	$\frac{5}{16}$ "	$\frac{1}{4}$ "	61.5	36.2	
12257206053	$\frac{3}{8}$ "	$\frac{5}{16}$ "	66.5	39.3	
12257208063	$\frac{1}{2}$ "	$\frac{3}{8}$ "	70.3	43.5	
12257209083	$\frac{9}{16}$ "	$\frac{1}{2}$ "	76.3	48.0	
12257210093	$\frac{5}{8}$ "	$\frac{9}{16}$ "	79.4	51.0	
12257212103	$\frac{3}{4}$ "	$\frac{5}{8}$ "	84.3	55.2	

Note: Packing 25 unit

Fittings Products

Hose Fittings

Nylon 6-6



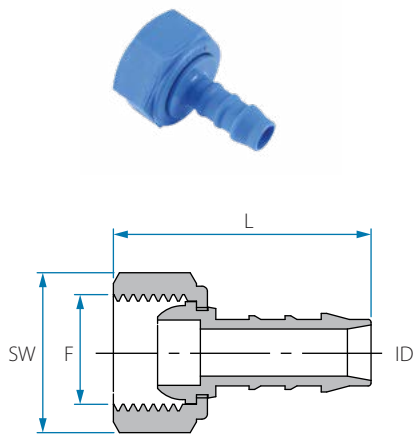
Working pressure
Up to 14 BAR
(200 psi) at 20 °C



Temperature
-20 °C -110 °C
(subject to application)



Fittings' dimensions
refer to tube ID or OD,
with respect to the
common application

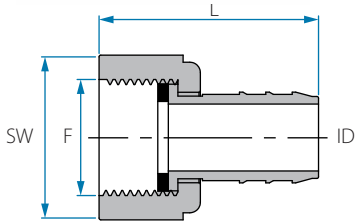


Note: No need for flat washer

Female Swivel Straight Hose Connector - Conical Seat

Cat. No.	Tube ID mm	F (BSP)	L mm	SW	Color
22444644028	4	1/8"	27.5	13	
22444644048	4	1/4"	31.7	17	
22444645028	5	1/8"	32.0	13	
22444645048	5	1/4"	36.2	17	
22444645068	5	3/8"	36.0	20	
22444646048	6	1/4"	37.3	17	
22444646068	6	3/8"	36.8	20	
22444646088	6	1/2"	39.5	24	
22444648048	8	1/4"	41.3	17	
22444648068	8	3/8"	40.8	20	
22444648088	8	1/2"	43.6	24	Blue
22444648128	8	3/4"	43.4	30	
22444650068	10	3/8"	42.8	20	
22444650088	10	1/2"	43.6	24	
22444650128	10	3/4"	45.6	30	
22444652088	12	1/2"	46.7	24	
22444652128	12	3/4"	46.5	30	
22444654088	14	1/2"	48.9	24	
22444654128	14	3/4"	48.1	30	
22444656128	16	3/4"	48.5	30	
22444659128	19	3/4"	49.3	30	
22444648042	8	1/4"	41.3	17	
22444650062	10	3/8"	42.8	20	Black
22444652082	12	1/2"	46.7	24	

Female Swivel Straight Hose Connector



Cat. No.	F (BSP)	Tube ID1 mm	L mm	SW	Color
*22454765168	24	1"	61.8	44	Blue

Material: Polypropylene

Note: Sealing is by flat washer (order separately)