

# PVDF Fittings

PVDF (Polyvinylidene fluoride) is a well-known engineering polymer. It demonstrates high mechanical properties, chemical resistance and thermal advantages, as well as high stability to withstand these advantages during exposure to **UV, radioactive** and **gamma** radiation.

Tefen's PVDF is a prime virgin material certified in use with drinking water (NSF) and in food stuff (FDA), Up to 120° [C]. It is mainly used in the petrochemical, semiconductors, water distillation, pharma and food industries.

\* Nuts material is Reinforced PP  
white - mm | blue - inch



# Fittings Products

## PVDF Fittings

PVDF



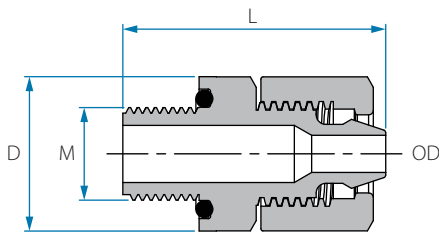
**Working pressure**  
Up to 14 BAR  
(200 psi) at 20 °C



**Temperature**  
-20 °C -120 °C  
(subject to application)



**Fittings' dimensions**  
refer to tube ID or OD, with respect  
to the common application



### Male Barb Block Connector (with O-Ring)

Cat. No.	Tube OD mm	M (BSPP)	L mm	D mm	Color	O-ring
22F56846021	6	1/8"	27.2	16.0	☐ White	Silicone
22F56846041	6	1/4"	30.9	19.4		
22F56848021	8	1/8"	27.3	16.0	☐ White	Silicone
22F56848041	8	1/4"	31.1	19.3		
22F56850021	10	1/8"	27.2	16.0	☐ White	Silicone
22F56850041	10	1/4"	31.0	19.4		

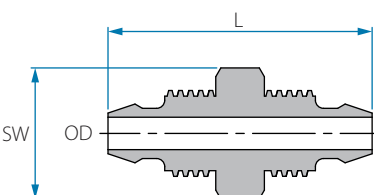
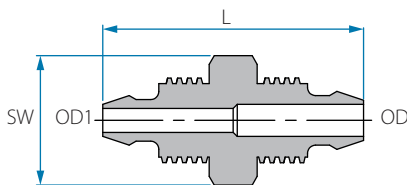
Note: Packing 25 unit

\* Nuts material is Reinforced PP

Cat. No.	Tube OD inch	M (BSPP)	L mm	D mm	Color	O-ring
22F56804021	1/4"	1/8"	27.1	16.0	☐ White & Navy Blue	Silicone
22F56804041	1/4"	1/4"	30.9	19.4		

Note: Packing 25 unit

\* Nuts material is Reinforced PP



### Reducing Barb Block Connector

Cat. No.	Tube OD mm	OD1 mm	L mm	SW	Color
22055648461	8	6	32.7	14	☐ White

Cat. No.	Tube OD inch	OD1 inch	L mm	SW	Color
22255605041	5/16"	1/4"	32.7	14	☐ White & Navy Blue

Note: Packing 25 unit

\* Nuts material is Reinforced PP

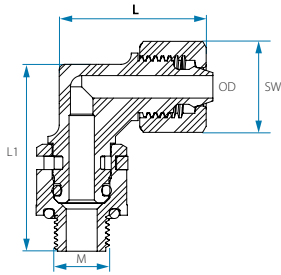
### Union Barb Block Connector

Cat. No.	Tube OD mm	L mm	SW	Color
22056246001	6	32.7	14	☐ White
22056248001	8	32.7	14	
22056252001	12	40.6	19	

Cat. No.	Tube OD inch	L mm	SW	Color
22256204001	1/4"	32.7	14	☐ White & Navy Blue
22256205001	5/16"	32.7	14	
22256208001	1/2"	40.6	19	

Note: Packing 25 unit

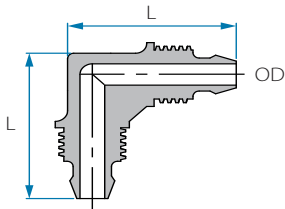
\* Nuts material is Reinforced PP



## Union Elbow swivel Connector

Cat. No.	Tube OD mm	M BSPP	L mm	LI	SW	O-ring	Color
22566948021	8	1/8"	27.3	33.2	16	Viton	White
22566948041	8	1/4"	27.3	33.2	16	Viton	White

Cat. No.	Tube OD mm	M BSPP	L mm	LI	SW	O-ring	Color
22566904021	8	1/4"	27.3	33.2	16	Viton	White & Navy Blue
22566904021	8	1/4"	27.3	33.2	16	Viton	White & Navy Blue



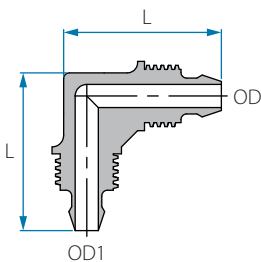
## Union Elbow Barb Block Connector

Cat. No.	Tube OD mm	L mm	Color
22056546001	6	27.4	White
22056548001	8	27.4	
22056552001	12	40.5	

Cat. No.	Tube OD inch	L mm	Color
22256504001	1/4"	27.4	White & Navy Blue
22256505001	5/16"	27.4	
22256508001	1/2"	40.5	

Note: Packing 25 unit

\* Nuts material is Reinforced PP



## Reducing Elbow Barb Block Connector

Cat. No.	Tube OD mm	OD1 mm	L mm	Color
22055748461	8	6	27.3	White

Note: Packing 25 unit

\* Nuts material is Reinforced PP

# Fittings Products

## PVDF Fittings

PVDF



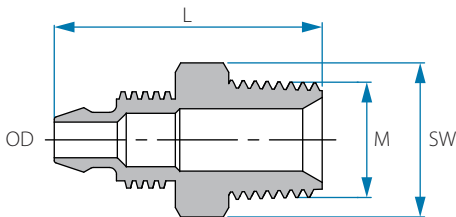
**Working pressure**  
Up to 14 BAR  
(200 psi) at 20 °C



**Temperature**  
-20 °C -120 °C  
(subject to application)



**Fittings' dimensions**  
refer to tube ID or OD, with respect  
to the common application



### Male BSPT Barb Block Connector

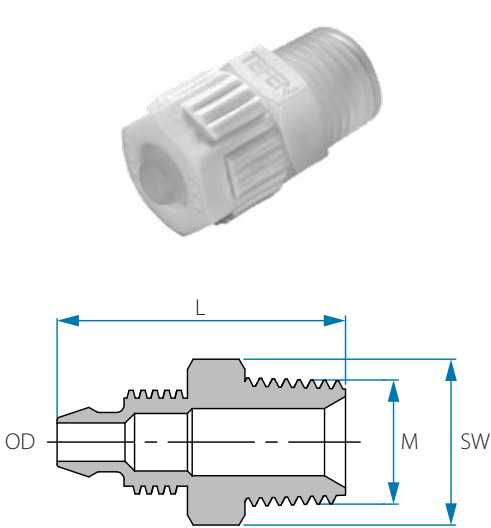
Cat. No.	Tube OD mm	M (BSPT)	L mm	SW	Color
22056846021	6	1/8"	28.2	13	
22056846041	6	1/4"	31	15	
22056846061	6	3/8"	31.4	17	
22056846081	6	1/2"	34.1	22	
22056846121	6	3/4"	35.5	27	
22056848021	8	1/8"	28.1	13	
22056848041	8	1/4"	29.5	15	
22056848061	8	3/8"	31.7	17	
22056848081	8	1/2"	34.1	22	
22056848121	8	3/4"	26.1	27	White
22056850041	10	1/4"	36.1	17	
22056850061	10	3/8"	35.8	17	
22056850081	10	1/2"	37.9	22	
22056850121	10	3/4"	38.9	27	
22056852041	12	1/4"	36.6	17	
22056852061	12	3/8"	37.3	17	
22056852081	12	1/2"	40.1	22	
22056852121	12	3/4"	40.1	27	


Cat. No.	Tube OD inch	M (BSPT)	L mm	SW	Color
22056804021	1/4"	1/8"	27.5	13	
22056804041	1/4"	1/4"	31.1	15	
22056804061	1/4"	3/8"	31.8	17	
22056804081	1/4"	1/2"	35.5	22	
22056804121	1/4"	3/4"	35.5	27	
22056805021	5/16"	1/8"	27.6	13	
22056805041	5/16"	1/4"	29.5	15	
22056805061	5/16"	3/8"	31.4	18	
22056806041	3/8"	1/4"	36.1	17	White & Navy Blue
22056806061	3/8"	3/8"	36.6	17	
22056806081	3/8"	1/2"	35.8	22	
22056806121	3/8"	3/4"	35.8	27	
22056808041	1/2"	1/4"	38.9	14	
22056808061	1/2"	3/8"	37	17	
22056808081	1/2"	1/2"	37.3	22	
22056808121	1/2"	3/4"	40.1	27	

Note: Packing 25 unit

\* Nuts material is Reinforced PP

## Male NPT Barb Block Connector



Cat. No.	Tube OD inch	M (NPT)	L mm	SW	Color
22256804021	1/4"	1/8"	29.4	13	 White & Grey
22256804041	1/4"	1/4"	34.0	15	
22256804061	1/4"	3/8"	35.1	18	
22256804081	1/4"	1/2"	40.2	22	
22256804121	1/4"	3/4"	41.0	27	
22256805021	5/16"	1/8"	29.4	13	
22256805041	5/16"	1/4"	34.0	15	
22256805061	5/16"	3/8"	35.1	18	
22256805081	5/16"	1/2"	40.2	22	
22256805121	5/16"	3/4"	41.0	27	
22256806041	3/8"	1/4"	37.6	15	
22256806061	3/8"	3/8"	38.6	18	
22256806081	3/8"	1/2"	43.7	22	
22256806121	3/8"	3/4"	44.4	27	
22256808041	1/2"	1/4"	38.8	15	
22256808061	1/2"	3/8"	40.0	18	
22256808081	1/2"	1/2"	45.0	22	
22256808121	1/2"	3/4"	45.8	18	

Note: Packing 25 unit

\* Nuts material is Reinforced PP

# Fittings Products

## PVDF Fittings

PVDF



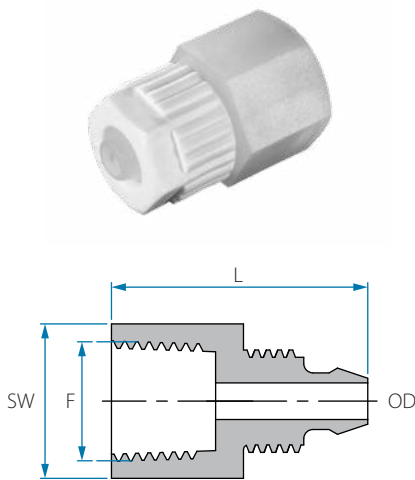
**Working pressure**  
Up to 14 BAR  
(200 psi) at 20 °C



**Temperature**  
-20 °C -120 °C  
(subject to application)



**Fittings' dimensions**  
refer to tube ID or OD, with respect  
to the common application



### Female BSPT Barb Block Connector

Cat. No.	Tube OD mm	F (BSPT)	L mm	SW	Color
22056646021	6	1/8"	26.3	14	
22056646041	6	1/4"	27.8	17	
22056648021	8	1/8"	26.3	14	
22056648041	8	1/4"	28.0	17	
22056648061	8	3/8"	30.6	22	White
22056648081	8	1/2"	32.5	26	
22056650041	10	1/4"	31.7	17	
22056650061	10	3/8"	33.0	22	
22056650081	10	1/2"	35.1	26	

Cat. No.	Tube OD inch	F (BSPT)	L mm	SW	Color
22056604021	1/4"	1/8"	26.3	14	
22056604041	1/4"	1/4"	27.8	17	
22056605021	5/16"	1/8"	26.3	14	
22056605041	5/16"	1/4"	28.0	17	
22056605061	5/16"	3/8"	30.6	22	White & Navy Blue
22056605081	5/16"	1/2"	32.5	26	
22056606041	3/8"	1/4"	31.7	17	
22056606061	3/8"	3/8"	33.0	22	
22056606081	3/8"	1/2"	35.1	26	

Note: Packing 25 unit

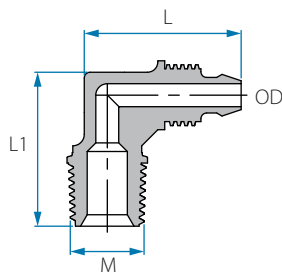
\* Nuts material is Reinforced PP

### Female NPT Barb Block Connector

Cat. No.	Tube OD inch	F (NPT)	L mm	SW	Color
22256605061	5/16"	3/8"	33.8	14	
22256605081	5/16"	1/2"	37.3	14	
22256606041	3/8"	1/4"	32.9	17	White & Grey
22256606061	3/8"	3/8"	34.5	17	
22256606081	3/8"	1/2"	38.0	17	

Note: Packing 25 unit

\* Nuts material is Reinforced PP



## BSPT Male Elbow Barb Block Connector

Cat. No.	Tube OD mm	M (BSPT)	L mm	L1 mm	Color
22056946021	6	1/8"	27.6	22.4	☐ White
22056946041	6	1/4"	27.6	26.8	
22056948021	8	1/8"	27.6	26.8	
22056948041	8	1/4"	27.6	26.8	
22056948061	8	3/8"	28.1	29.4	
22056952041	12	1/4"	40.3	31.7	
22056952061	12	3/8"	40.3	32.0	
22056952081	12	1/2"	40.3	36.0	

Cat. No.	Tube OD inch	M (BSPT)	L mm	L1 mm	Color
22056904021	1/4"	1/8"	27.6	22.4	☐ White & Navy Blue
22056904041	1/4"	1/4"	27.6	26.8	
22056905021	5/16"	1/8"	27.6	26.8	
22056905041	5/16"	1/4"	27.6	26.8	
22056905061	5/16"	3/8"	28.1	29.4	
22056908041	1/2"	1/4"	40.3	31.7	
22056908061	1/2"	3/8"	40.3	32.0	
22056908081	1/2"	1/2"	40.3	36.0	

Note: Packing 25 unit

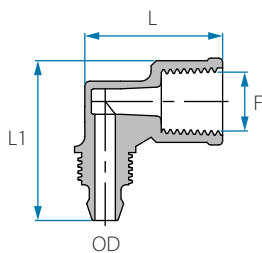
\* Nuts material is Reinforced PP

## NPT Male Elbow Barb Block Connector

Cat. No.	Tube OD inch	M (NPT)	L mm	L1 mm	Color
22256904021	1/4"	1/8"	24.0	27.5	☐ White & Grey
22256904041	1/4"	1/4"	29.0	27.5	
22256905021	5/16"	1/8"	24.0	27.5	
22256905041	5/16"	1/4"	29.0	27.5	

Note: Packing 25 unit

\* Nuts material is Reinforced PP



## BSPT Female Elbow Barb Block Connector

Cat. No.	Tube OD mm	F (BSPT)	L mm	L1 mm	Color
22056046021	6	1/8"	25.1	27.3	☐ White
22056046041	6	1/4"	27.0	27.3	
22056048041	8	1/4"	27.0	27.3	

Note: Packing 25 unit

\* Nuts material is Reinforced PP

# Fittings Products

## PVDF Fittings

PVDF



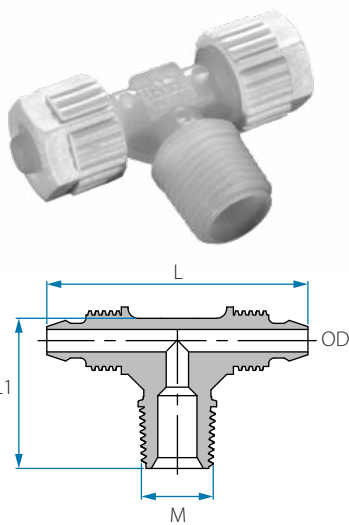
**Working pressure**  
Up to 14 BAR  
(200 psi) at 20 °C



**Temperature**  
-20 °C -120 °C  
(subject to application)



**Fittings' dimensions**  
refer to tube ID or OD, with respect  
to the common application

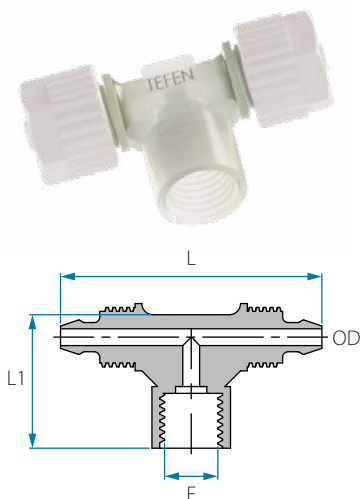


### BSPT Male Barb Block Branch T

Cat. No.	Tube OD mm	M (BSPT)	L mm	L1 mm	Color
22057146021	6	1/8"	46.8	22.6	☐ White
22057146041	6	1/4"	46.8	26.8	
22057148021	8	1/8"	46.8	22.6	
22057148041	8	1/4"	46.8	26.8	
22057148061	8	3/8"	47.2	29.4	
22057152041	12	1/4"	67.0	31.6	
22057152061	12	3/8"	67.0	32.0	
22057152081	12	1/2"	67.0	36.0	

Cat. No.	Tube OD inch	M (BSPT)	L mm	L1 mm	Color
22057104021	1/4"	1/8"	46.8	22.6	☐ White & Navy Blue
22057104041	1/4"	1/4"	46.8	26.8	
22057105021	5/16"	1/8"	46.8	22.6	
22057105041	5/16"	1/4"	46.8	26.8	
22057105061	5/16"	3/8"	47.2	29.4	
22057108041	1/2"	1/4"	67.0	31.6	
22057108061	1/2"	3/8"	67.0	32.0	

Note: Packing 25 unit  
\* Nuts material is Reinforced PP



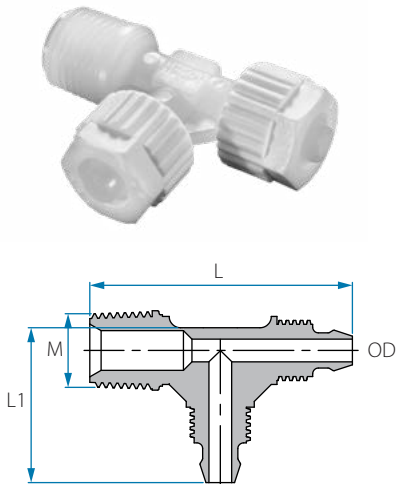
### BSPT Female Branch Barb Block Connector

Cat. No.	Tube OD mm	F (BSPT)	L mm	L1 mm	Color
22057346021	6	1/8"	46.6	25.0	☐ White
22057348041	8	1/4"	46.8	28.9	

Cat. No.	Tube OD inch	F (BSPT)	L mm	L1 mm	Color
22057304021	1/4"	1/8"	46.6	25.0	☐ White & Navy Blue
22057305041	5/16"	1/4"	46.8	27.2	

Note: Packing 25 unit  
\* Nuts material is Reinforced PP





## BSPT Barb Block Male Run T

Cat. No.	Tube OD mm	M (BSPT)	L mm	L1 mm	Color
22057246021	6	1/8"	41.9	27.5	☐ White
22057246041	6	1/4"	46.2	27.5	
22057248021	8	1/8"	41.9	27.5	
22057248041	8	1/4"	46.2	27.5	
22057248061	8	3/8"	58.8	43.2	
22057252041	12	1/4"	57.7	40.3	
22057252061	12	3/8"	62.5	40.3	
22057252081	12	1/2"	62.7	40.4	

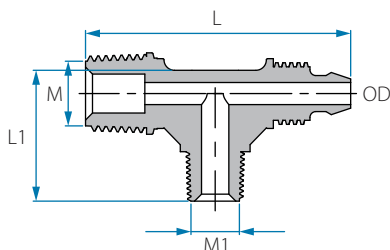
Cat. No.	Tube OD inch	M (BSPT)	L mm	L1 mm	Color
22057204021	1/4"	1/8"	41.9	27.5	☐ White & Navy Blue
22057204041	1/4"	1/4"	46.2	27.5	
22057205021	5/16"	1/8"	41.9	27.5	
22057205041	5/16"	1/4"	46.2	27.5	
22057205061	5/16"	3/8"	58.8	43.2	
22057208041	1/2"	1/4"	57.7	40.3	
22057208061	1/2"	3/8"	62.5	40.3	
22057208081	1/2"	1/2"	62.7	40.4	

Note: Packing 25 unit  
 \* Nuts material is Reinforced PP

## NPT Male Barb Block Run T

Cat. No.	Tube OD inch	M (NPT)	L mm	L1 mm	Color
22257204021	1/4"	1/8"	43.4	27.4	☐ White & Grey
22257204041	1/4"	1/4"	48.2	27.4	
22257205021	5/16"	1/8"	43.5	27.4	
22257205041	5/16"	1/4"	48.3	27.4	
22257205061	5/16"	3/8"	67.0	27.4	
22257208021	1/2"	1/8"	48.0	43.2	

Note: Packing 25 unit  
 \* Nuts material is Reinforced PP



## BSPT Male Barb Block T - 2 threads

Cat. No.	Tube OD mm	M (BSPT)	M1 (BSPT)	L mm	L1 mm	Color
22057802041	8	1/4"	1/8"	46.2	22.6	☐ White

Note: Packing 25 unit  
 \* Nuts material is Reinforced PP

# Fittings Products

## PVDF Fittings

PVDF



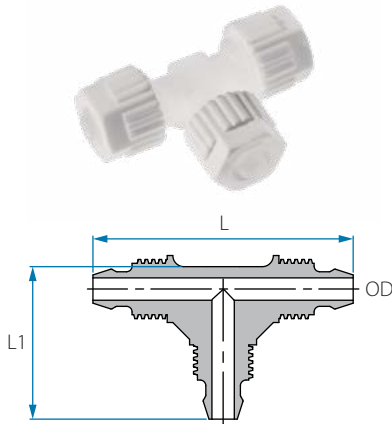
**Working pressure**  
Up to 14 BAR  
(200 psi) at 20 °C



**Temperature**  
-20 °C -120 °C  
(subject to application)



**Fittings' dimensions**  
refer to tube ID or OD, with respect  
to the common application

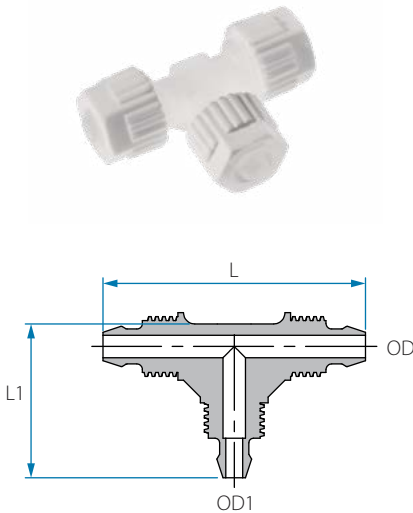


### Union T Barb Block Connector

Cat. No.	Tube OD mm	L mm	L1 mm	Color
22056446461	6	46.8	27.5	☐ White
22056448481	8	46.8	27.5	
22056452521	12	67.1	40.4	

Cat. No.	Tube OD inch	L mm	L1 mm	Color
22256404041	¼"	46.8	27.5	☐ White & Navy Blue
22256405051	⅝"	46.8	27.5	
22256408081	½"	67.1	40.4	

Note: Packing 25 unit  
\* Nuts material is Reinforced PP

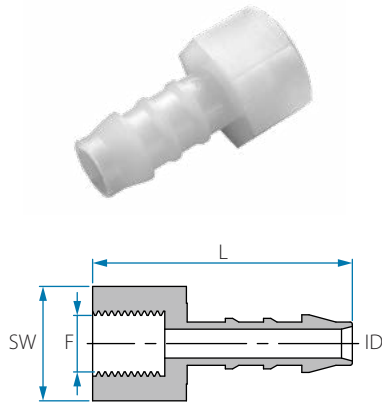


### Reducing T Barb Block Connector

Cat. No.	Tube OD mm	OD1 mm	L mm	L1 mm	Color
22055846481	6	8	46.8	27.4	☐ White
22055848461	8	6	46.8	27.4	

Note: Packing 25 unit  
\* Nuts material is Reinforced PP

## BSPT Female Hose Connector

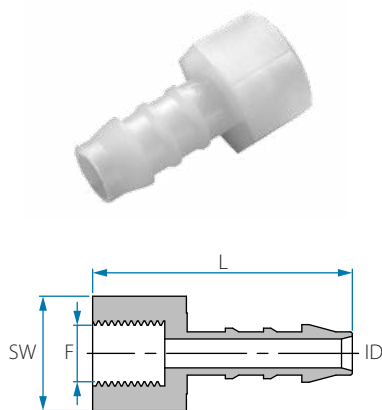


Cat. No.	Tube ID mm	F (BSPT)	L mm	SW	Color
12556745021	5	1/8"	34.4	14	
12556745041	5	1/4"	35.2	17	
12556745061	5	3/8"	36.5	22	
12556745081	5	1/2"	38.7	26	
12556746021	6	1/8"	36.3	14	
12556746041	6	1/4"	37.2	17	
12556746061	6	3/8"	38.3	22	
12556746081	6	1/2"	40.8	26	
12556748021	8	1/8"	38.2	14	
12556748041	8	1/4"	39.4	17	
12556748061	8	3/8"	40.4	22	
12556748081	8	1/2"	42.7	26	
12556750041	10	1/4"	41.5	17	
12556750061	10	3/8"	42.3	22	
12556750081	10	1/2"	45.0	26	
12556752041	12	1/4"	42.4	17	
12556752061	12	3/8"	43.3	22	
12556752081	12	1/2"	46.0	26	
12556754061	14	3/8"	45.0	22	
12556754081	14	1/2"	47.3	26	
12556756081	16	1/2"	48.1	26	
12556759081	19	1/2"	48.8	26	

White

Note: Packing 25 unit

## NPT Female Hose Connector



Cat. No.	Tube ID inch	F (NPT)	L mm	SW	Color
12356704021	1/4"	1/8"	36.7	14	
12356704041	1/4"	1/4"	40.1	17	
12356704061	1/4"	3/8"	40.0	22	
12356704081	1/4"	1/2"	43.7	27	
12356705021	5/16"	1/8"	38.9	14	
12356705041	5/16"	1/4"	41.8	17	
12356705061	5/16"	3/8"	42.0	22	
12356705081	5/16"	1/2"	45.0	27	
12356706041	3/8"	1/4"	44.1	17	
12356706061	3/8"	3/8"	43.9	22	
12356706081	3/8"	1/2"	47.2	27	
12356708041	1/2"	1/4"	44.7	17	
12356708061	1/2"	3/8"	45.2	22	
12356708081	1/2"	1/2"	48.8	27	
12356709061	9/16"	3/8"	46.5	22	
12356709081	9/16"	1/2"	50.3	27	
12356710081	5/8"	1/2"	50.4	27	
12356712081	3/4"	1/2"	51.7	27	

White

Note: Packing 25 unit

# Fittings Products

## PVDF Fittings

PVDF



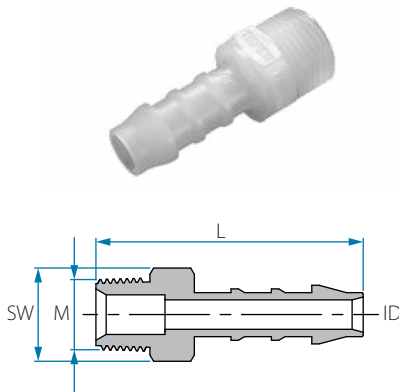
**Working pressure**  
Up to 14 BAR  
(200 psi) at 20 °C



**Temperature**  
-20 °C -120 °C  
(subject to application)



**Fittings' dimensions**  
refer to tube ID or OD, with respect  
to the common application



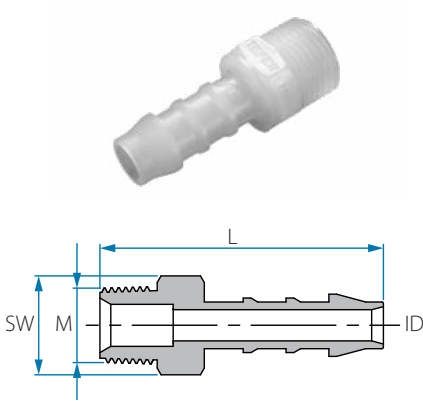
### BSPT Male Hose Connector

Cat. No.	Tube ID mm	M (BSPT)	L mm	SW	Color
12556844021	4	1/8"	31.2	11	
12556844041	4	1/4"	33.8	14	
12556845021	5	1/8"	34.7	11	
12556845041	5	1/4"	38.3	14	
12556846021	6	1/8"	35.0	11	
12556846041	6	1/4"	39.2	14	
12556846061	6	3/8"	39.1	17	
12556846081	6	1/2"	42.3	22	
12556846121	6	3/4"	43.0	22	
12556848021	8	1/8"	39.8	11	
12556848041	8	1/4"	43.0	14	
12556848061	8	3/8"	43.0	17	
12556848081	8	1/2"	46.1	22	
12556848121	8	3/4"	37.1	17	
12556850041	10	1/4"	47.1	14	
12556850061	10	3/8"	45.2	17	
12556850081	10	1/2"	48.3	22	
12556850121	10	3/4"	49.3	27	
12556852041	12	1/4"	46.0	14	
12556852061	12	3/8"	46.0	17	
12556852081	12	1/2"	49.3	22	
12556852121	12	3/4"	50.0	27	
12556854061	14	3/8"	47.5	17	
12556854081	14	1/2"	50.8	22	
12556854121	14	3/4"	51.7	27	
12556856081	16	1/2"	51.3	22	
12556856121	16	3/4"	52.2	27	
12556859081	19	1/2"	52.2	22	
12556859121	19	3/4"	53.3	27	
12556859161	19	1"	60.1	36	
12556865121	25	3/4"	54.8	27	
12556865161	25	1"	66.6	36	

White

Note: Packing 25 unit

## NPT Male Hose Connector



Cat. No.	Tube ID inch	M (NPT)	L mm	SW	Color
12356802021	5/32"	1/8"	30.7	11	
12356802041	5/32"	1/4"	35.3	14	
12356803021	3/16"	1/8"	36.3	11	
12356803041	3/16"	1/4"	39.7	14	
12356804021	1/4"	1/8"	36.1	11	
12356804041	1/4"	1/4"	40.6	14	
12356804061	1/4"	3/8"	41.9	17	
12356804081	1/4"	1/2"	46.7	22	
12356805021	5/16"	1/8"	40.2	11	
12356805041	5/16"	1/4"	44.7	14	
12356805061	5/16"	3/8"	45.9	17	
12356805081	5/16"	1/2"	51.0	22	
12356806041	3/8"	1/4"	46.5	14	
12356806061	3/8"	3/8"	47.7	17	<input type="checkbox"/> White
12356806081	3/8"	1/2"	53.2	22	
12356806121	3/8"	3/4"	54.3	27	
12356808041	1/2"	1/4"	47.7	14	
12356808061	1/2"	3/8"	48.9	17	
12356808081	1/2"	1/2"	53.7	22	
12356808121	1/2"	3/4"	54.7	27	
12356809061	9/16"	3/8"	51.6	17	
12356809081	9/16"	1/2"	55.4	22	
12356809121	9/16"	3/4"	56.1	27	
12356810081	5/8"	1/2"	56.3	22	
12356810121	5/8"	3/4"	56.8	27	
12356812081	3/4"	1/2"	56.9	22	
12356812121	3/4"	3/4"	57.7	27	

Note: Packing 25 unit

# Fittings Products

## PVDF Fittings

PVDF



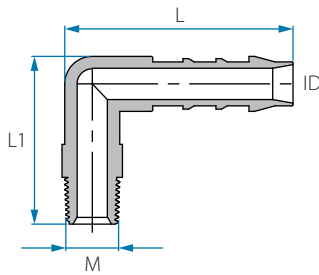
**Working pressure**  
Up to 14 BAR  
(200 psi) at 20 °C



**Temperature**  
-20 °C -120 °C  
(subject to application)



**Fittings' dimensions**  
refer to tube ID or OD, with respect  
to the common application

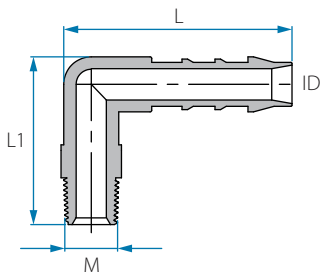


### BSPT Male Elbow Hose Connector

Cat. No.	Tube ID mm	M (BSPT)	L mm	L1 mm	Color
12556944021	4	1/8"	26.7	24.1	
12556944041	4	1/4"	26.7	27.2	
12556945021	5	1/8"	31.8	26.8	
12556945041	5	1/4"	29.8	32.0	
12556945081	5	1/2"	31.8	33.0	
12556946021	6	1/8"	35.5	27.3	
12556946041	6	1/4"	35.5	29.8	
12556946061	6	3/8"	35.5	30.0	
12556946081	6	1/2"	35.5	33.7	
12556948021	8	1/8"	41.5	30.4	
12556948041	8	1/4"	41.5	32.8	
12556948061	8	3/8"	41.5	32.8	
12556948081	8	1/2"	41.5	36.8	
12556950041	10	1/4"	45.5	33.9	
12556950061	10	3/8"	45.5	34.1	
12556950081	10	1/2"	45.5	37.8	
12556950121	10	3/4"	45.5	38.9	
12556952041	12	1/4"	48.7	35.0	
12556952061	12	3/8"	48.7	35.3	
12556952081	12	1/2"	48.7	39.0	
12556952121	12	3/4"	48.7	39.7	
12556954061	14	3/8"	51.4	38.5	
12556954081	14	1/2"	51.4	42.3	
12556954121	14	3/4"	51.4	43.3	
12556956081	16	1/2"	53.7	44.9	
12556956121	16	3/4"	53.7	46.0	
12556959081	19	1/2"	56.0	46.4	
12556959121	19	3/4"	56.4	47.5	

White

Note: Packing 25 unit



## NPT Male Elbow Hose Connector

Cat. No.	Tube ID inch	M (NPT)	L mm	L1 mm	Color
12356902021	5/32"	1/8"	25.7	26.0	
12356902041	5/32"	1/4"	25.9	31.1	
12356903021	3/16"	1/8"	31.8	28.6	
12356903041	3/16"	1/4"	33.5	31.8	
12356903081	3/16"	1/2"	40.1	31.8	
12356904021	1/4"	1/8"	35.4	29.0	
12356904041	1/4"	1/4"	35.5	33.7	
12356904061	1/4"	3/8"	35.5	33.8	
12356904081	1/4"	1/2"	40.0	35.4	
12356905021	5/16"	1/8"	41.5	32.1	
12356905041	5/16"	1/4"	41.2	36.7	
12356905061	5/16"	3/8"	41.5	36.6	
12356905081	5/16"	1/2"	41.5	43.1	
12356906041	3/8"	1/4"	45.4	37.7	
12356906061	3/8"	3/8"	45.3	37.5	White
12356906081	3/8"	1/2"	45.4	44.4	
12356906121	3/8"	3/4"	45.4	44.0	
12356908041	1/2"	1/4"	48.6	39.0	
12356908061	1/2"	3/8"	48.3	28.6	
12356908081	1/2"	1/2"	48.7	45.2	
12356908121	1/2"	3/4"	48.7	45.2	
12356909061	9/16"	3/8"	51.4	42.2	
12356909081	9/16"	1/2"	51.4	48.6	
12356909121	9/16"	3/4"	51.5	48.5	
12356910081	5/8"	1/2"	53.8	51.5	
12356910121	5/8"	3/4"	53.8	51.4	
12356912081	3/4"	1/2"	56.6	52.8	
12356912121	3/4"	3/4"	56.2	53.0	

Note: Packing 25 unit

# Fittings Products

## PVDF Fittings

PVDF



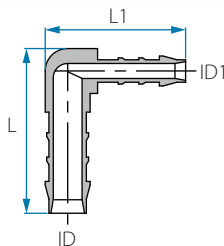
**Working pressure**  
Up to 14 BAR  
(200 psi) at 20 °C



**Temperature**  
-20 °C -120 °C  
(subject to application)



**Fittings' dimensions**  
refer to tube ID or OD, with respect  
to the common application

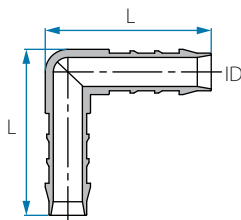


### Reducing Elbow Hose Connector

Cat. No.	Tube ID mm	Tube ID1 mm	L mm	L1 mm	Color
12556645441	5	4	31.8	27.8	
12556646441	6	4	35.5	29.0	
12556646451	6	5	35.4	34.1	
12556648461	8	6	41.6	39.3	
12556650461	10	6	45.3	40.1	White
12556650481	10	8	42.1	45.2	
12556652501	12	10	48.7	45.6	
12556654521	14	12	51.5	49.6	
12556656541	16	14	53.8	53.6	
12556659561	19	16	56.2	56.1	

Cat. No.	Tube ID inch	Tube ID1 inch	L mm	L1 mm	Color
12356603021	3/16"	5/32"	31.8	27.9	
12356604031	1/4"	3/16"	35.5	34.0	
12356605041	5/16"	1/4"	41.6	39.4	
12356606041	3/8"	1/4"	45.3	40.2	
12356606051	3/8"	5/16"	45.5	42.5	White
12356608061	1/2"	3/8"	48.6	45.8	
12356609081	9/16"	1/2"	51.1	49.8	
12356610091	5/8"	9/16"	53.6	53.6	
12356612101	3/4"	5/8"	55.8	55.8	

Note: Packing 25 unit



### Union Elbow Hose Connector

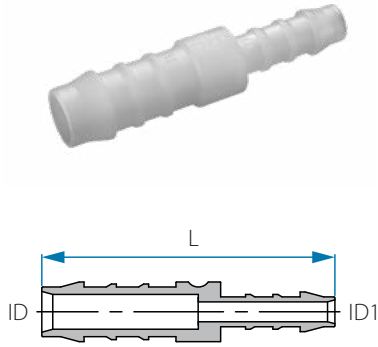
Cat. No.	Tube ID mm	L mm	Color
12556544001	4	26.3	
12556545001	5	31.7	
12556546001	6	35.5	
12556548001	8	34.7	
12556550001	10	40.9	White
12556552001	12	46.3	
12556554001	14	51.0	
12556556001	16	53.9	
12556559001	19	55.3	

Cat. No.	Tube ID inch	L mm	Color
12356502001	5/32"	26.3	
12356503001	3/16"	31.7	
12356504001	1/4"	35.5	
12356505001	5/16"	34.7	
12356506001	3/8"	40.9	White
12356508001	1/2"	46.3	
12356509001	9/16"	51.0	
12356510001	5/8"	53.9	
12356512001	3/4"	55.3	

Note: Packing 25 unit



## Reducing Hose Connector



Cat. No.	Tube ID mm	Tube ID1 mm	L mm	Color
12555645441	5	4	42.2	
12555646441	6	4	45.7	
12555646451	6	5	50.6	
12555648451	8	5	54.4	
12555648461	8	6	56.3	
12555650461	10	6	58.9	
12555650481	10	8	62.0	
12555652481	12	8	63.8	<input type="checkbox"/> White
12555652501	12	10	65.3	
12555654501	14	10	69.1	
12555654521	14	12	69.9	
12555656521	16	12	70.3	
12555656541	16	14	71.7	
12555659541	19	14	72.7	
12555659561	19	16	73.2	

Cat. No.	Tube ID inch	Tube ID1 inch	L mm	Color
12355603021	3/16"	5/32"	42.2	
12355604021	1/4"	5/32"	45.7	
12355604031	1/4"	3/16"	50.6	
12355605031	5/16"	3/16"	54.4	
12355605041	5/16"	1/4"	56.3	
12355606041	3/8"	1/4"	58.9	
12355606051	3/8"	5/16"	62.0	
12355608051	1/2"	5/16"	63.8	<input type="checkbox"/> White
12355608061	1/2"	3/8"	65.3	
12355609061	9/16"	3/8"	69.1	
12355609081	9/16"	1/2"	69.9	
12355610081	5/8"	1/2"	70.3	
12355610091	5/8"	9/16"	71.7	
12355612091	3/4"	9/16"	72.7	
12355612101	3/4"	5/8"	73.2	

Note: Packing 25 unit

# Fittings Products

## PVDF Fittings

PVDF



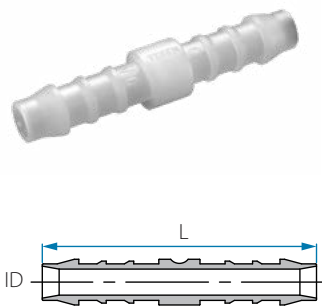
**Working pressure**  
Up to 14 BAR  
(200 psi) at 20 °C



**Temperature**  
-20 °C -120 °C  
(subject to application)



**Fittings' dimensions**  
refer to tube ID or OD, with respect  
to the common application

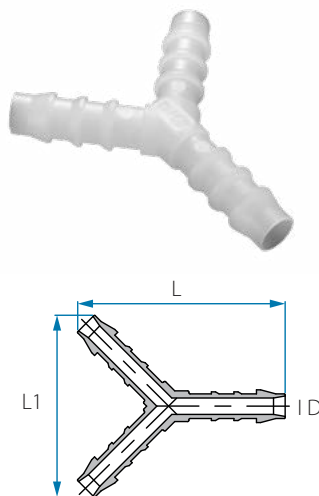


### Union Hose Connector

Cat. No.	Tube ID mm	L mm	Color
12556244001	4	36.6	
12556245001	5	47.0	
12556246001	6	52.2	
12556248001	8	59.3	
12556250001	10	63.0	White
12556252001	12	66.0	
12556254001	14	71.8	
12556256001	16	72.5	
12556259001	19	73.5	

Cat. No.	Tube ID inch	L mm	Color
12356202001	5/32"	36.6	
12356203001	3/16"	47.0	
12356204001	1/4"	52.2	
12356205001	5/16"	59.3	
12356206001	3/8"	63.0	White
12356208001	1/2"	66.3	
12356209001	9/16"	71.9	
12356210001	5/8"	71.4	
12356211001	11/16"	59.1	
12356212001	3/4"	73.8	

Note: Packing 25 unit



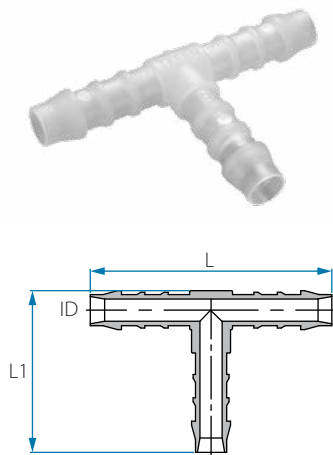
### Y Hose Connector

Cat. No.	Tube ID mm	L mm	L1 mm	Color
12556344441	4	35.0	31.0	
12556346461	6	51.2	44.5	
12556348481	8	56.6	40.6	White
12556350501	10	62.3	55.0	
12556357571	17	63.3	57.7	

Cat. No.	Tube ID inch	L mm	L1 mm	Color
12356302021	5/32"	35.5	30.8	
12356304041	1/4"	50.8	44.3	
12356305051	5/16"	55.6	49.4	White
12356306061	3/8"	60.8	54.9	
12356311111	11/16"	62.5	57.4	

Note: Packing 25 unit

## Union T Hose Connector

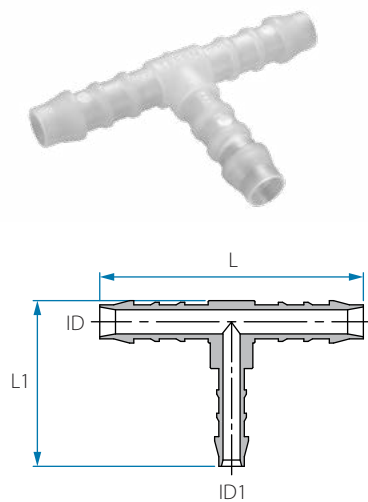


Cat. No.	Tube ID mm	L mm	L1 mm	Color
12556444441	4	39.5	24.3	
12556445451	5	50.7	30.8	
12556446461	6	55.8	34.0	
12556448481	8	61.7	38.5	
12556450501	10	66.5	41.2	<input type="checkbox"/> White
12556452521	12	70.5	44.8	
12556454541	14	76.3	49.1	
12556456561	16	79.2	52.1	
12556459591	19	84.4	55.7	

Cat. No.	Tube ID inch	L mm	L1 mm	Color
12356402021	$\frac{5}{32}$ "	39.4	24.3	
12356403031	$\frac{3}{16}$ "	50.6	30.9	
12356404041	$\frac{1}{4}$ "	55.2	31.8	
12356405051	$\frac{5}{16}$ "	55.2	31.8	
12356406061	$\frac{3}{8}$ "	66.5	41.4	<input type="checkbox"/> White
12356408081	$\frac{1}{2}$ "	70.8	45.0	
12356409091	$\frac{9}{16}$ "	76.3	49.1	
12356410101	$\frac{5}{8}$ "	78.7	51.4	
12356412121	$\frac{3}{4}$ "	83.8	55.9	

Note: Packing 25 unit

## Reducing T Hose Connector



Cat. No.	Tube ID mm	Tube ID1 mm	L mm	L1 mm	Color
12557245441	5	4	50.7	25.7	
12557246451	6	5	55.7	31.8	
12557248461	8	6	61.5	36.2	
12557250481	10	8	66.5	39.3	
12557252501	12	10	70.6	44.5	<input type="checkbox"/> White
12557254521	14	12	76.7	44.5	
12557256541	16	14	79.5	51.1	
12357259561	19	16	84.6	55.4	

Cat. No.	Tube ID inch	Tube ID1 inch	L mm	L1 mm	Color
12357203021	$\frac{3}{16}$ "	$\frac{5}{32}$ "	50.6	25.9	
12357204031	$\frac{1}{4}$ "	$\frac{3}{16}$ "	55.8	32.0	
12357205041	$\frac{5}{16}$ "	$\frac{1}{4}$ "	61.5	36.2	
12357206051	$\frac{3}{8}$ "	$\frac{5}{16}$ "	66.5	39.3	
12357208061	$\frac{1}{2}$ "	$\frac{3}{8}$ "	70.3	43.5	<input type="checkbox"/> White
12357209081	$\frac{9}{16}$ "	$\frac{1}{2}$ "	76.3	48.0	
12357210091	$\frac{5}{8}$ "	$\frac{9}{16}$ "	79.4	51.0	
12357212101	$\frac{3}{4}$ "	$\frac{5}{8}$ "	84.3	55.2	

Note: Packing 25 unit

# Fittings Products

## PVDF Fittings

PVDF



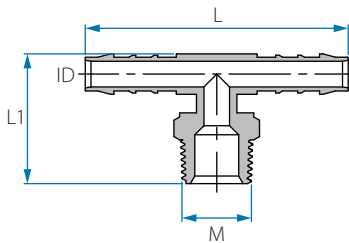
**Working pressure**  
Up to 14 BAR  
(200 psi) at 20 °C



**Temperature**  
-20 °C -120 °C  
(subject to application)



**Fittings' dimensions**  
refer to tube ID or OD, with respect  
to the common application

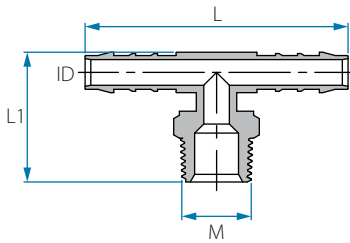


### BSPT Male Branch T Hose Connector

Cat. No.	Tube ID mm	M (BSPT)	L mm	L1 mm	Color
12557144021	4	1/8"	39.4	22.2	
12557144041	4	1/4"	45.2	27.0	
12557145021	5	1/8"	50.9	23.8	
12557145041	5	1/4"	56.5	29.6	
12557146021	6	1/8"	55.8	24.8	
12557146041	6	1/4"	63.1	30.0	
12557146061	6	3/8"	63.1	30.0	
12557146081	6	1/2"	63.1	33.8	
12557148021	8	1/8"	61.7	27.3	
12557148041	8	1/4"	72.7	33.1	
12557148061	8	3/8"	72.7	33.1	
12557148081	8	1/2"	61.8	33.9	
12557150041	10	1/4"	78.7	34.1	
12557150061	10	3/8"	78.7	34.1	<input type="checkbox"/> White
12557150081	10	1/2"	78.9	38.1	
12557150121	10	3/4"	78.9	39.1	
12557152041	12	1/4"	82.7	35.2	
12557152061	12	3/8"	82.7	35.2	
12557152081	12	1/2"	82.6	39.1	
12557152121	12	3/4"	82.6	40.0	
12557154061	14	3/8"	85.6	38.5	
12557154081	14	1/2"	85.6	42.1	
12557154121	14	3/4"	85.6	43.3	
12557156081	16	1/2"	88.2	45.0	
12557156121	16	3/4"	88.5	46.3	
12557159081	19	1/2"	90.3	46.3	
12557159121	19	3/4"	90.7	47.7	

Note: Packing 25 unit

## NPT Male Branch T Hose Connector



Cat. No.	Tube ID inch	M (NPT)	L mm	L1 mm	Color
12357102021	5/32"	1/8"	45.1	26.0	
12357102041	5/32"	1/4"	45.1	30.7	
12357103021	3/16"	1/8"	56.3	28.6	
12357103041	3/16"	1/4"	56.3	33.4	
12357103081	3/16"	1/2"	56.3	39.3	
12357104021	1/4"	1/8"	63.0	29.4	
12357104041	1/4"	1/4"	63.0	33.8	
12357104061	1/4"	3/8"	63.0	33.7	
12357104081	1/4"	1/2"	63.0	40.3	
12357105021	5/16"	1/8"	72.5	32.3	
12357105041	5/16"	1/4"	72.5	36.8	
12357105061	5/16"	3/8"	72.5	36.9	
12357105081	5/16"	1/2"	72.5	42.8	
12357106041	3/8"	1/4"	78.5	38.0	<input type="checkbox"/> White
12357106061	3/8"	3/8"	78.5	37.7	
12357106081	3/8"	1/2"	78.5	44.0	
12357106121	3/8"	3/4"	78.5	43.8	
12357108041	1/2"	1/4"	82.6	39.3	
12357108061	1/2"	3/8"	82.6	38.8	
12357108081	1/2"	1/2"	82.6	45.5	
12357108121	1/2"	3/4"	82.6	45.5	
12357109061	9/16"	3/8"	85.2	42.6	
12357109081	9/16"	1/2"	85.2	48.3	
12357109121	9/16"	3/4"	85.2	48.3	
12357110081	5/8"	1/2"	88.4	51.5	
12357110121	5/8"	3/4"	88.4	51.1	
12357112081	3/4"	1/2"	90.5	53.0	
12357112121	3/4"	3/4"	90.5	52.5	

Note: Packing 25 unit

# Fittings Products

## PVDF Fittings

PVDF



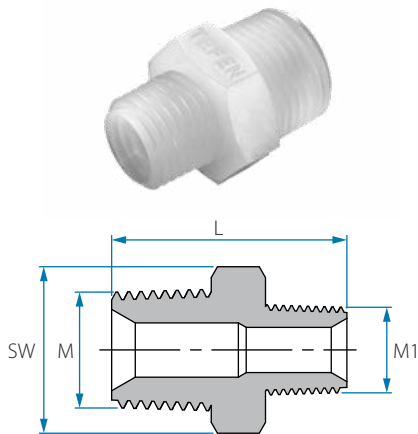
**Working pressure**  
Up to 14 BAR  
(200 psi) at 20 °C



**Temperature**  
-20 °C -120 °C  
(subject to application)



**Fittings' dimensions**  
refer to tube ID or OD, with respect  
to the common application



### BSPT Pipe Reducing Nipple

Cat. No.	M (BSPT)	MI (BSPT)	L mm	SW	Color
12052304021	1/4"	1/8"	25.2	14	
12052306021	3/8"	1/8"	27.1	17	
12052308021	1/2"	1/8"	29.3	22	<input type="checkbox"/> White
12052306041	3/8"	1/4"	28.5	17	
12052308041	1/2"	1/4"	31.5	22	
12052308061	1/2"	3/8"	31.8	22	
12052312081	3/4"	1/2"			

Note: Packing 25 unit

### NPT Pipe Reducing Nipple

Cat. No.	M (NPT)	MI (NPT)	L mm	SW	Color
12062304021	1/4"	1/8"	28.4	14	
12062306021	3/8"	1/8"	29.6	17	
12062308021	1/2"	1/8"	34.9	22	
12062312021	3/4"	1/8"	35.4	27	
12062306041	3/8"	1/4"	33.4	17	<input type="checkbox"/> White
12062308041	1/2"	1/4"	38.7	22	
12062312041	3/4"	1/4"	39.4	27	
12062308061	1/2"	3/8"	39.1	22	
12062312061	3/4"	3/8"	39.6	27	
12062312081	3/4"	1/2"	44.1	27	

Note: Packing 25 unit

### BSPT Pipe Hex Nipple

Cat. No.	M (BSPT)	L mm	SW	Color
12052202021	1/8"	22.9	11	
12052204041	1/4"	28.2	15	<input type="checkbox"/> White
12052206061	3/8"	27.7	17	
12052208081	1/2"	34	22	

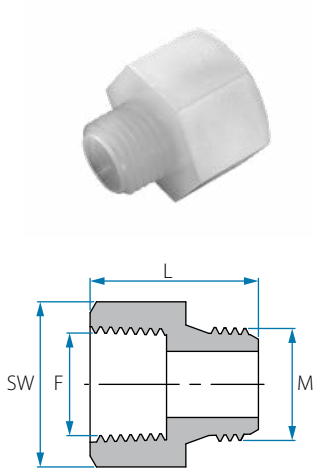
Note: Packing 25 unit

### NPT Pipe Hex Nipple

Cat. No.	M (NPT)	L mm	SW	Color
12062202021	1/8"	23.7	11	
12062204041	1/4"	32.3	14	
12062206061	3/8"	34.4	17	<input type="checkbox"/> White
12062208081	1/2"	43.3	22	
12062212121	3/4"	43.9	27	

Note: Packing 25 unit

## BSPT Pipe Adaptor



Cat. No.	F (BSPT)	M (BSPT)	L mm	SW	Color
12052002021	1/8"	1/8"	23.0	14	
12052002041	1/8"	1/4"	23.0	14	
12052002061	1/8"	3/8"	24.0	14	
12052002081	1/8"	1/2"	26.9	14	
12052004021	1/4"	1/8"	22.1	17	
12052004041	1/4"	1/4"	24.0	17	
12052004061	1/4"	3/8"	24.8	17	
12052004081	1/4"	1/2"	27.2	17	
12052006021	3/8"	1/8"	23.1	22	
12052006041	3/8"	1/4"	25.2	22	
12052006061	3/8"	3/8"	25.7	22	
12052006081	3/8"	1/2"	28.2	22	
12052008021	1/2"	1/8"	25.6	26	
12052008041	1/2"	1/4"	27.3	26	
12052008061	1/2"	3/8"	28.0	26	
12052008081	1/2"	1/2"	30.6	26	

White

Note: Packing 25 unit

## NPT Pipe Adaptor

Cat. No.	F (NPT)	M (NPT)	L mm	SW	Color
12062002021	1/8"	1/8"	23.4	14	
12062002041	1/8"	1/4"	23.4	14	
12062002061	1/8"	3/8"	27.4	14	
12062002081	1/8"	1/2"	32.5	14	
12062004021	1/4"	1/8"	26.5	17	
12062004041	1/4"	1/4"	30.7	17	
12062004061	1/4"	3/8"	30.5	17	
12062004081	1/4"	1/2"	35.5	17	
12062006021	3/8"	1/8"	26.3	22	
12062006041	3/8"	1/4"	26.5	22	
12062006061	3/8"	3/8"	30.4	22	
12062006081	3/8"	1/2"	35.5	22	
12062008021	1/2"	1/8"	30.0	26	
12062008041	1/2"	1/4"	34.0	26	
12062008061	1/2"	3/8"	36.6	26	
12062008081	1/2"	1/2"	39.0	26	

White

Note: Packing 25 unit

# Fittings Products

## PVDF Fittings

PVDF



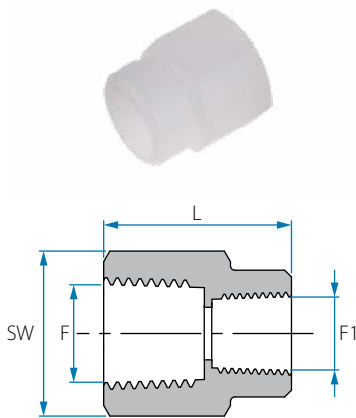
**Working pressure**  
Up to 14 BAR  
(200 psi) at 20 °C



**Temperature**  
-20 °C -120 °C  
(subject to application)



**Fittings' dimensions**  
refer to tube ID or OD, with respect  
to the common application



### BSPT Pipe Reducing Coupling

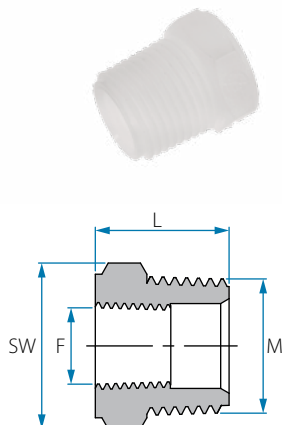
Cat. No.	F (BSPT)	F1 (BSPT)	L mm	SW	Color
12051904021	1/4"	1/8"	22.0	17	
12051906021	3/8"	1/8"	24.2	21	
12051906041	3/8"	1/4"	24.2	21	
12051908041	1/2"	1/4"	27.0	26	<input type="checkbox"/> White
12051908061	1/2"	3/8"	27.0	26	
12051912041	3/4"	1/4"	29.7	35	
12051912081	3/4"	1/2"	34.6	35	

Note: Packing 25 unit

### NPT Pipe Reducing Coupling

Cat. No.	F (NPT)	F1 (NPT)	L mm	SW	Color
12061904021	1/4"	1/8"	22.0	17	
12061906021	3/8"	1/8"	24.2	22	
12061906041	3/8"	1/4"	24.8	22	<input type="checkbox"/> White
12061908041	1/2"	1/4"	27.0	26	
12061908061	1/2"	3/8"	26.8	26	

Note: Packing 25 unit



### BSPT Pipe Bushing

Cat. No.	M (BSPT)	F (BSPT)	L mm	SW	Color
12051004021	1/4"	1/8"	17.2	14	
12051006021	3/8"	1/8"	17.8	17	
12051006041	3/8"	1/4"	17.8	17	
12051008021	1/2"	1/8"	20.4	22	
12051008041	1/2"	1/4"	20.4	22	<input type="checkbox"/> White
12051008061	1/2"	3/8"	20.7	22	
12051012041	3/4"	1/4"	22	27	
12051012061	3/4"	3/8"	22.2	27	
12051012081	3/4"	1/2"	22.2	27	

Note: Packing 25 unit



## NPT Pipe Bushing

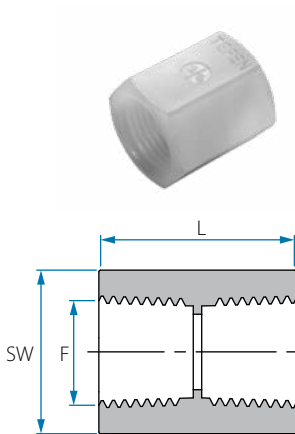
Cat. No.	M (NPT)	F (NPT)	L mm	SW	Color
12061004021	1/4"	1/8"	21.0	14	
12061006021	3/8"	1/8"	20.8	18	
12061006041	3/8"	1/4"	20.8	18	
12061008021	1/2"	1/8"	26.8	24	
12061008041	1/2"	1/4"	27.2	24	<input type="checkbox"/> White
12061008061	1/2"	3/8"	27.1	24	
12061012041	3/4"	1/4"	27.0	29	
12061012061	3/4"	3/8"	27.2	29	
12061012081	3/4"	1/2"	27.1	29	

Note: Packing 25 unit

## BSPT Female Pipe Coupling

Cat. No.	F (BSPT)	L mm	SW	Color
12050302021	1/8"	19.8	14	
12050304041	1/4"	23.3	17	
12050306061	3/8"	24.5	21	<input type="checkbox"/> White
12050308081	1/2"	29.3	26	
12050312121	3/4"	37.7	34	

Note: Packing 25 unit



## NPT Female Pipe Coupling

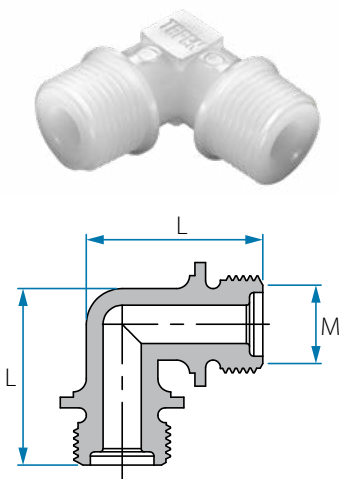
Cat. No.	F (NPT)	L mm	SW	Color
12060302021	1/8"	19.7	14	
12060304041	1/4"	23.3	17	
12060306061	3/8"	24.6	21	<input type="checkbox"/> White
12060308081	1/2"	29.2	26	

Note: Packing 25 unit

## BSPT Threaded Elbow

Cat. No.	M (BSPT)	L mm	Color
12056502001	1/8"	24.4	
12056504001	1/4"	26.4	<input type="checkbox"/> White
12056506001	3/8"	31.8	
12056508001	1/2"	40.2	

Note: Packing 25 unit



## NPT Threaded Elbow

Cat. No.	M (NPT)	L mm	Color
12066502001	1/8"	23.8	
12066504001	1/4"	28.4	<input type="checkbox"/> White

Note: Packing 25 unit

# Fittings Products

## PVDF Fittings

PVDF



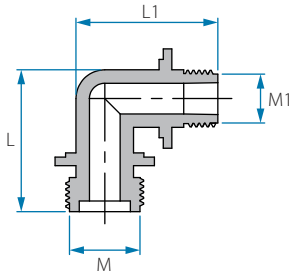
**Working pressure**  
Up to 14 BAR  
(200 psi) at 20 °C



**Temperature**  
-20 °C -120 °C  
(subject to application)



**Fittings' dimensions**  
refer to tube ID or OD, with respect  
to the common application



### BSPT Reducing Threaded Elbow

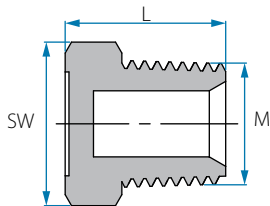
Cat. No.	M (BSPT)	M1 (BSPT)	L mm	L1 mm	Color
12056904021	1/4"	1/8"	26.4	24.4	
12056906041	3/8"	1/4"	31.8	31.5	<input type="checkbox"/> White
12056908061	1/2"	3/8"	40.0	38.1	

Note: Packing 25 unit

### NPT Reducing Threaded Elbow

Cat. No.	M (NPT)	M1 (NPT)	L mm	L1 mm	Color
12066904021	1/4"	1/8"	28.4	24.0	<input type="checkbox"/> White

Note: Packing 25 unit



### BSPT Hex Threaded Plug

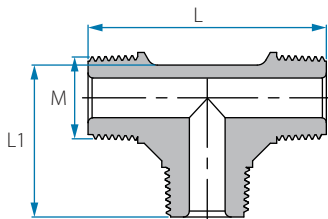
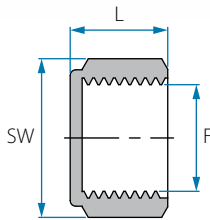
Cat. No.	M (BSPT)	L mm	SW	Color
12052102001	1/8"	13.5	12	
12052104001	1/4"	16.3	15	
12052106001	3/8"	16.0	18	<input type="checkbox"/> White
12052108001	1/2"	19.6	22	
12052112001	3/4"	22.0	27	
12052116001	1"	27.0	36	

Note: Packing 25 unit

### NPT Hex Threaded Plug

Cat. No.	M (NPT)	L mm	SW	Color
12062102001	1/8"	14.7	11	
12062104001	1/4"	19.4	14	
12062106001	3/8"	20.4	17	<input type="checkbox"/> White
12062108001	1/2"	25.6	22	

Note: Packing 25 unit



## BSPT Pipe Cap

Cat. No.	F (BSPT)	L mm	SW	Color
12050802001	1/8"	10.4	13	
12050804001	1/4"	14.2	17	
12050806001	3/8"	14.2	20	<input type="checkbox"/> White
12050808001	1/2"	17.1	24	
12050812001	3/4"	17.1	30	

Note: Packing 25 unit

## BSPT Threaded T Connector

Cat. No.	M (BSPT)	L mm	L1 mm	Color
12056402001	1/8"	39.8	24.1	
12056404001	1/4"	44.0	26.2	
12056406001	3/8"	50.5	32.0	<input type="checkbox"/> White
12056408001	1/2"	64.0	40.3	

Note: Packing 25 unit

## NPT Threaded T Connector

Cat. No.	M (NPT)	L mm	L1 mm	Color
12066402001	1/8"	39.3	24.0	
12066404001	1/4"	48.4	28.5	<input type="checkbox"/> White

Note: Packing 25 unit

# Fittings Products

PVDF



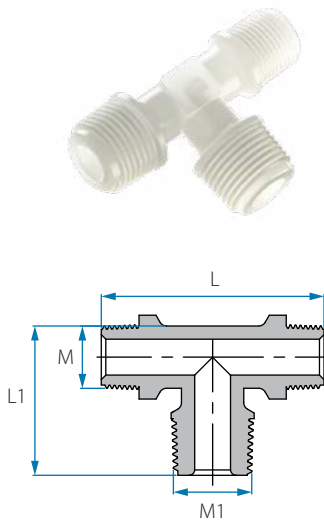
**Working pressure**  
Up to 14 BAR  
(200 psi) at 20 °C



**Temperature**  
-20 °C -120 °C  
(subject to application)



**Fittings' dimensions**  
refer to tube ID or OD, with respect  
to the common application



## BSPT Reducing Threaded T

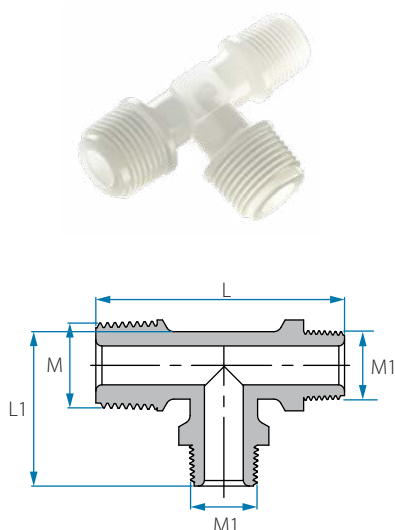
Cat. No.	M (BSPT)	M1 (BSPT)	L mm	L1 mm	Color
12057102041	1/8"	1/4"	39.7	26.4	☐ White
12057104021	1/4"	1/8"	43.3	24.2	
12057104061	1/4"	3/8"	38.2	43.3	
12057106041	3/8"	1/4"	60.2	26.4	
12057108061	1/2"	3/8"	64.2	38.2	
12057106081	3/8"	1/2"	60.2	40.4	

Note: Packing 25 unit

## NPT Reducing Threaded T

Cat. No.	M (NPT)	M1 (NPT)	L mm	L1 mm	Color
12067104021	1/4"	1/8"	48.4	24.0	☐ White

Note: Packing 25 unit



## BSPT Reducing Threaded Run T

Cat. No.	M (BSPT)	M1 (BSPT)	L mm	L1 mm	Color
12057204021	1/4"	1/8"	41.8	26.3	☐ White
12057206041	3/8"	1/4"	48.3	30.8	
12057208061	1/2"	3/8"	62.0	40.0	
12057202041	1/8"	1/4"	42.7	25.5	
12057204061	1/4"	3/8"	48.5	31.0	
12057206081	3/8"	1/2"	62.0	38.2	

Note: Packing 25 unit

## NPT Reducing Threaded Run T

Cat. No.	M (NPT)	M1 (NPT)	L mm	L1 mm	Color
12067204021	1/4"	1/8"	41.8	26.3	☐ White

Note: Packing 25 unit