

BARB BLOCK

Tefen barb Block fittings are mechanical PUSH-ON compression fittings that can operate with numerous types of plastic tubes in the range between ¼"-½", 6-12mm. The fittings sealing mechanism is based on a barb and tightening nut.

How to use: Insert the nut onto the tube, insert the tube onto the barb and then secure the nut tightly on the barb support thread.

Main use: connection of plastic tubes of hydraulic and pneumatic systems.

Main Advantages: high chemical resistant, durable resistant for tube pullout, no rubber seals – long service life without leaks.



**Food Contact
(EU) 1935/2004**
For blue
Polypropylene only



For blue & black
Polypropylene only



P. 43



P. 43



P. 44



P. 45



P. 46



P. 47



P. 47



P. 47



P. 48



P. 49



P. 49



P. 50



P. 50



P. 51



P. 51



P. 52

Reinforced Polypropylene



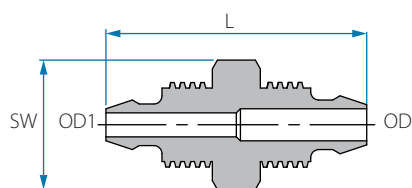
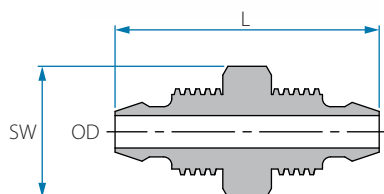
Working pressure
Up to 14 BAR
(200 psi) at 20 °C



Temperature
4 °C -90 °C
(subject to application)



Fittings' dimensions
refer to tube ID or OD,
with respect to the
common application



Union Connector

Cat. No.	Tube OD mm	L mm	SW	Color
22046246008	6	32.7	14	Blue
22046248008	8	32.7	14	
22046252008	12	40.6	19	

Cat. No.	Tube OD inch	L mm	SW	Color
22046204008	1/4"	32.7	14	Navy Blue
22046205008	5/16"	32.7	14	
22046208008	1/2"	40.6	19	

Cat. No.	Tube OD inch	L mm	SW	Color
22246204003	1/4"	32.5	14	Grey
22246205003	5/16"	32.6	14	
22246208003	1/2"	40.4	19	

Note: Packing 25 unit

Reducing Connector

Cat. No.	Tube OD mm	Tube OD1 mm	L mm	SW	Color
22045648468	8	6	32.7	14	Blue

Cat. No.	Tube OD inch	Tube OD1 inch	L mm	SW	Color
22045605048	5/16"	1/4"	32.7	14	Navy Blue
22245605043	5/16"	1/4"	32.7	14	Grey

Note: Packing 25 unit

Fittings Products

Barb Block

Reinforced Polypropylene



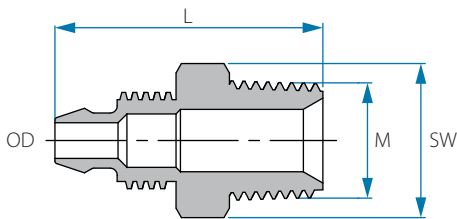
Working pressure
Up to 14 BAR
(200 psi) at 20 °C



Temperature
4 °C -90 °C
(subject to application)



Fittings' dimensions refer to tube ID or OD, with respect to the common application



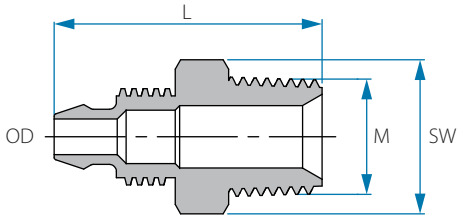
BSPT Male Connector

Cat. No.	Tube OD mm	M (BSPT)	L mm	SW	Color
22046846028	6	1/8"	27.5	13	Blue
22046846048	6	1/4"	29.7	14	
22046846068	6	3/8"	32.5	17	
22046846088	6	1/2"	35.5	22	
22046846128	6	3/4"	36.6	27	
22046848028	8	1/8"	27.6	13	
22046848048	8	1/4"	29.5	14	
22046848068	8	3/8"	31.4	17	
22046848088	8	1/2"	36.1	22	
22046848128	8	3/4"	36.6	27	
22046850048	10	1/4"	35.8	17	
22046850068	10	3/8"	35.8	17	
22046850088	10	1/2"	38.9	22	
22046850128	10	3/4"	39.7	27	
22046852048	12	1/4"	37.3	14	
22046852068	12	3/8"	37.3	17	
22046852088	12	1/2"	40.1	22	
22046852128	12	3/4"	40.1	27	
22046848022	8	1/8"	27.6	13	Black
22046852082	12	1/2"	40.1	22	
22046846042	6	1/4"	29.7	14	
22046848042	8	1/4"	29.5	14	
22046848062	8	3/8"	31.4	17	
22046852042	12	1/4"	37.3	14	
22046852062	12	3/8"	37.3	17	

Cat. No.	Tube OD inch	M (BSPT)	L mm	SW	Color
22046804028	1/4"	1/8"	27.5	13	Navy Blue
22046804048	1/4"	1/4"	29.7	15	
22046804068	1/4"	3/8"	32.5	17	
22046804088	1/4"	1/2"	35.5	22	
22046804128	1/4"	3/4"	36.6	27	
22046805028	5/16"	1/8"	27.6	13	
22046805048	5/16"	1/4"	29.5	14	
22046805068	5/16"	3/8"	31.4	17	
22046806048	3/8"	1/4"	35.8	17	
22046806068	3/8"	3/8"	35.8	17	
22046806088	3/8"	1/2"	38.9	22	
22046806128	3/8"	3/4"	39.7	27	
22046808048	1/2"	1/4"	37.3	17	
22046808068	1/2"	3/8"	37.3	17	
22046808088	1/2"	1/2"	40.1	22	
22046808128	1/2"	3/4"	40.1	27	
22046804041	1/4"	1/4"	29.7	15	White
22046804081	1/4"	1/2"	35.5	22	
22046804121	1/4"	3/4"	36.6	27	

Note: Packing 25 unit

NPT Male Connector



Cat. No.	Tube OD inch	M (NPT)	L mm	SW	Color
22246804023	1/4"	1/8"	29.4	11	Grey
22246804043	1/4"	1/4"	34.0	14	
22246804063	1/4"	3/8"	35.1	17	
22246804083	1/4"	1/2"	40.2	22	
22246804123	1/4"	3/4"	41.0	27	
22246805023	5/16"	1/8"	29.4	11	
22246805043	5/16"	1/4"	34.0	14	
22246805063	5/16"	3/8"	35.1	17	
22246805083	5/16"	1/2"	40.2	22	
22246805123	5/16"	3/4"	41.1	27	
22246806043	3/8"	1/4"	37.6	14	
22246806063	3/8"	3/8"	38.6	17	
22246806083	3/8"	1/2"	43.7	22	
22246806123	3/8"	3/4"	44.4	27	
22246808043	1/2"	1/4"	38.8	14	
22246808063	1/2"	3/8"	40.0	17	
22246808083	1/2"	1/2"	45.0	22	
22246808123	1/2"	3/4"	45.7	27	

Note: Packing 25 unit

Fittings Products

Barb Block

Reinforced Polypropylene



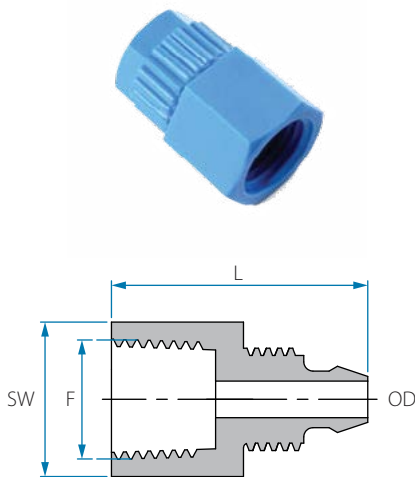
Working pressure
Up to 14 BAR
(200 psi) at 20 °C



Temperature
4 °C -90 °C
(subject to application)



Fittings' dimensions refer to tube ID or OD, with respect to the common application



BSPT Female Connector

Cat. No.	Tube OD mm	F (BSPT)	L mm	SW	Color
22046646028	6	1/8"	26.3	14	Blue
22046646048	6	1/4"	27.8	17	
22046648028	8	1/8"	26.3	14	
22046648048	8	1/4"	28.0	17	
22046648068	8	3/8"	30.6	22	
22046648088	8	1/2"	32.5	26	
22046648548	8	M14X1.5	28.1	17	
22046650048	10	1/4"	31.7	17	
22046650068	10	3/8"	33.0	22	
22046650088	10	1/2"	35.4	26	

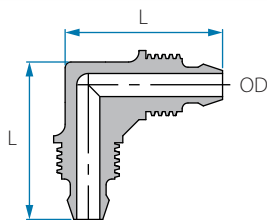
Cat. No.	Tube OD inch	F (BSPT)	L mm	SW	Color
22046604028	1/4"	1/8"	26.3	14	Navy Blue
22046604048	1/4"	1/4"	27.8	17	
22046605028	5/16"	1/8"	26.3	14	
22046605048	5/16"	1/4"	28.0	17	
22046605068	5/16"	3/8"	30.6	22	
22046605088	5/16"	1/2"	32.5	26	
22046606048	3/8"	1/4"	31.7	17	
22046606068	3/8"	3/8"	33.0	22	
22046606088	3/8"	1/2"	35.4	26	

Note: Packing 25 unit

NPT Female Connector

Cat. No.	Tube OD inch	F (NPT)	L mm	SW	Color
22246604023	1/4"	1/8"	26.3	14	Grey
22246605023	5/16"	1/8"	26.3	14	
22246605043	5/16"	1/4"	32.1	17	
22246606043	3/8"	1/4"	34.5	17	
22246606063	3/8"	3/8"	34.5	22	
22246606083	3/8"	1/2"	38.0	27	

Note: Packing 25 unit



Union Elbow

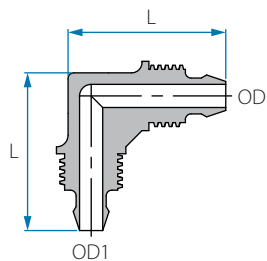
Cat. No.	Tube OD mm	L mm	Color
22046546008	6	27.4	
22046548008	8	27.4	Blue
22046552008	12	40.5	
22046548002	8	27.4	Black

Cat. No.	Tube OD inch	L mm	Color
22046504008	1/4"	27.4	
22046505008	5/16"	27.4	Navy Blue
22046508008	1/2"	40.5	
22046508002	1/2"	40.5	Black

Note: Packing 25 unit

Cat. No.	Tube OD inch	L mm	Color
22246504003	1/4"	27.5	
22246505003	5/16"	27.5	Grey
22246508003	1/2"	40.5	

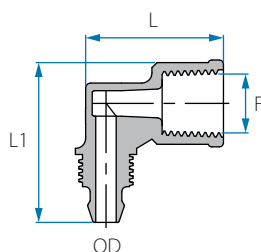
Note: Packing 25 unit



Reducing Elbow

Cat. No.	Tube OD mm	Tube OD1 mm	L mm	Color
22045748468	8	6	27.3	Blue

Note: Packing 25 unit



BSPT Female Elbow

Cat. No.	Tube OD mm	F (BSPT)	L mm	L1 mm	Color
22046046028	6	1/8"	25.1	27.3	
22046046048	6	1/4"	27.0	27.3	Blue
22046048048	8	1/4"	27.0	27.3	
22046046022	6	1/8"	25.1	27.3	
22046046042	6	1/4"	27.0	27.3	Black
22046048042	8	1/4"	27.0	27.3	

Note: Packing 25 unit

Fittings Products

Barb Block

Reinforced Polypropylene



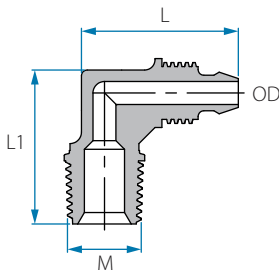
Working pressure
Up to 14 BAR
(200 psi) at 20 °C



Temperature
4 °C -90 °C
(subject to application)



Fittings' dimensions refer to tube ID or OD, with respect to the common application



BSPT Male Elbow

Cat. No.	Tube OD mm	M (BSPT)	L mm	L1 mm	Color	
22046946028	6	1/8"	27.6	22.4	Blue	
22046946048	6	1/4"	27.6	26.8		
22046948028	8	1/8"	27.6	26.8		
22046948048	8	1/4"	27.6	26.8		
22046948068	8	3/8"	28.1	29.4		
22046952048	12	1/4"	40.3	31.7		
22046952068	12	3/8"	40.3	32.0		
22046952088	12	1/2"	40.3	36.0		
22046946022	6	1/8"	27.6	22.4		Black
22046948022	8	1/8"	27.6	26.8		
22046946042	6	1/4"	27.6	26.8		
22046948042	8	1/4"	27.6	26.8		
22046948062	8	3/8"	28.1	29.4		
22046952062	12	3/8"	40.3	32		

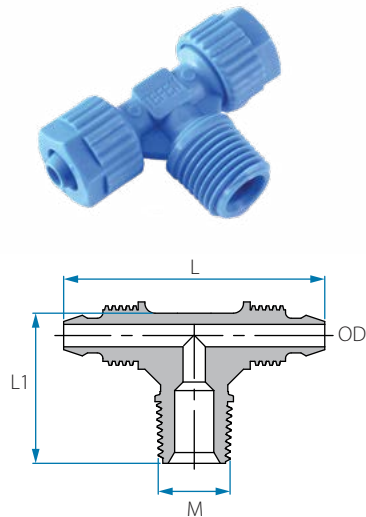
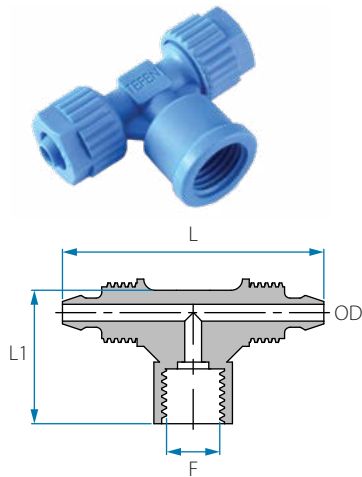
Cat. No.	Tube OD inch	M (BSPT)	L mm	L1 mm	Color	
22046904028	1/4"	1/8"	27.6	22.4	Navy Blue	
22046904048	1/4"	1/4"	27.6	26.8		
22046905028	5/16"	1/8"	27.6	26.8		
22046905048	5/16"	1/4"	27.6	26.8		
22046905068	5/16"	3/8"	28.1	29.4		
22046908048	1/2"	1/4"	40.3	31.7		
22046908068	1/2"	3/8"	40.3	32.0		
22046908088	1/2"	1/2"	40.3	36.0		
22046908082	1/2"	1/2"	40.3	36.0		Black
22046904041	1/4"	1/4"	26.7	26.8		White

Note: Packing 25 unit

NPT Male Elbow

Cat. No.	Tube OD inch	M (NPT)	L mm	L1 mm	Color
22246904023	1/4"	1/8"	27.5	24.0	Grey
22246904043	1/4"	1/4"	27.5	29.0	
22246905023	5/16"	1/8"	27.5	24.0	
22246905043	5/16"	1/4"	27.5	28.9	

Note: Packing 25 unit



BSPT Female Branch T

Cat. No.	Tube OD mm	F (BSPT)	L mm	L1 mm	Color
22047346028	6	1/8"	46.6	25.0	Blue
22047348048	8	1/4"	46.8	27.2	

Cat. No.	Tube OD inch	F (BSPT)	L mm	L1 mm	Color
22047304028	1/4"	1/8"	46.6	25.0	Navy Blue
22047305048	5/16"	1/4"	46.8	27.2	

Note: Packing 25 unit

BSPT Male Branch T

Cat. No.	Tube OD mm	M (BSPT)	L mm	L1 mm	Color
22047146028	6	1/8"	46.8	22.6	Blue
22047146048	6	1/4"	46.8	26.8	
22047148028	8	1/8"	46.8	22.6	
22047148048	8	1/4"	46.8	26.8	
22047148068	8	3/8"	47.2	29.4	
22047152048	12	1/4"	67.0	31.6	
22047152068	12	3/8"	67.0	32.0	
22047152088	12	1/2"	67.0	36.0	
22047146042	6	1/4"	46.8	26.8	Black
22047148022	8	1/8"	46.8	22.6	
22047148042	8	1/4"	46.8	26.8	

Cat. No.	Tube OD inch	M (BSPT)	L mm	L1 mm	Color
22047104028	1/4"	1/8"	46.8	22.6	Navy Blue
22047104048	1/4"	1/4"	46.8	26.8	
22047105028	5/16"	1/8"	46.8	22.6	
22047105048	5/16"	1/4"	46.8	26.8	
22047105068	5/16"	3/8"	47.2	29.4	
22047108048	1/2"	1/4"	67.0	31.6	
22047108068	1/2"	3/8"	67.0	32.0	
22047104041	1/4"	1/4"	46.8	26.8	

Note: Packing 25 unit

NPT Male Branch T

Cat. No.	Tube OD inch	M (NPT)	L mm	L1 mm	Color
22247104023	1/4"	1/8"	47.7	24.1	Grey
22247104043	1/4"	1/4"	46.6	28.9	
22247105023	5/16"	1/8"	46.7	24.1	
22247108083	1/2"	1/2"	66.8	36.1	Black
22247105022	5/16"	1/8"	46.7	24.1	

Note: Packing 25 unit

Fittings Products

Barb Block

Reinforced Polypropylene



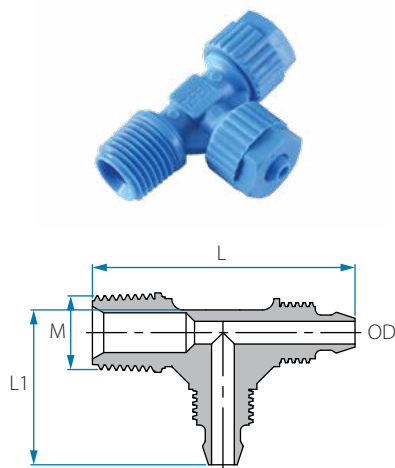
Working pressure
Up to 14 BAR
(200 psi) at 20 °C



Temperature
4 °C -90 °C
(subject to application)



Fittings' dimensions refer to tube ID or OD, with respect to the common application



BSPT Male Run T

Cat. No.	Tube OD mm	M (BSPT)	L mm	L1 mm	Color
22047246028	6	1/8"	41.9	27.5	Blue
22047246048	6	1/4"	46.2	27.5	
22047248028	8	1/8"	41.9	27.5	
22047248048	8	1/4"	46.2	27.5	
22047248068	8	3/8"	58.8	43.2	
22047252048	12	1/4"	57.7	40.3	
22047252068	12	3/8"	59.0	40.5	
22047252088	12	1/2"	62.7	40.4	

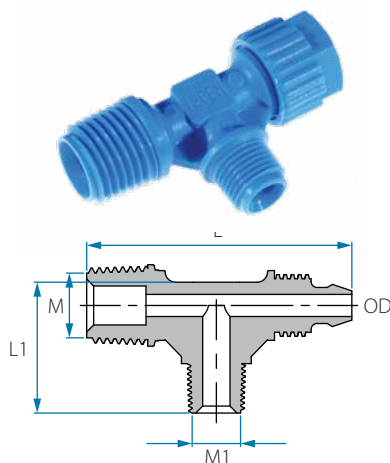
Cat. No.	Tube OD inch	M (BSPT)	L mm	L1 mm	Color
22047204028	1/4"	1/8"	41.9	27.5	Navy Blue
22047204048	1/4"	1/4"	46.2	27.5	
22047205028	5/16"	1/8"	41.9	27.5	
22047205048	5/16"	1/4"	46.2	27.5	
22047205068	5/16"	3/8"	58.8	43.2	
22047208048	1/2"	1/4"	57.7	40.3	
22047208068	1/2"	3/8"	59.0	40.5	
22047208088	1/2"	1/2"	62.7	40.4	
22047204041	1/4"	1/4"	46.2	27.5	White

Note: Packing 25 unit

NPT Male Run T

Cat. No.	Tube OD inch	M (NPT)	L mm	L1 mm	Color
22247204023	1/4"	1/8"	43.4	27.4	Grey
22247204043	1/4"	1/4"	48.2	27.4	
22247205023	5/16"	1/8"	43.5	27.4	
22247205043	5/16"	1/4"	48.3	27.4	
22247205063	5/16"	3/8"	56.1	40.2	

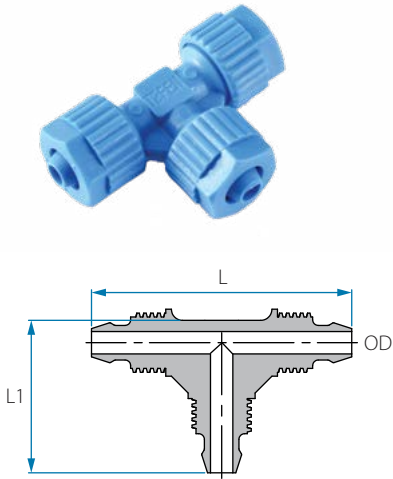
Note: Packing 25 unit



BSPT Male T - 2 threads

Cat. No.	Tube OD mm	M inch	M1 inch	L mm	L1 mm	Color
22047802048	8	1/4"	1/8"	46.2	22.6	Blue

Note: Packing 25 unit

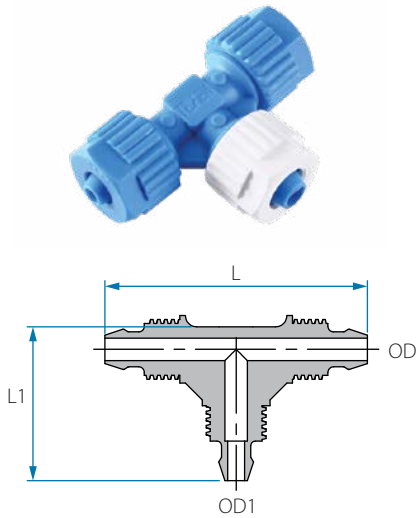


Union T

Cat. No.	OD mm	L mm	L1 mm	Color
22046446468	6	46.8	27.5	
22046448488	8	46.8	27.5	Blue
22046452528	12	67.1	40.4	

Cat. No.	OD inch	L mm	L1 mm	Color
22046404041	¼"	46.8	27.5	White
22046404048	¼"	46.8	27.5	
22046405058	⅝"	46.8	27.5	Navy Blue
22046408088	½"	67.1	40.4	
22046404042	¼"	46.8	27.5	Black
22046408082	½"	67.1	40.4	
22246404043	¼"	46.7	27.4	
22246405053	⅝"	46.7	27.4	Grey
22246408083	½"	67.0	40.4	

Note: Packing 25 unit



Reducing T

Cat. No.	Tube OD mm	Tube OD1 mm	L mm	L1 mm	Color
22045846488	6	8	46.8	27.4	Blue
22045848468	8	6	46.8	27.4	

Note: Packing 25 unit

Fittings Products

Barb Block

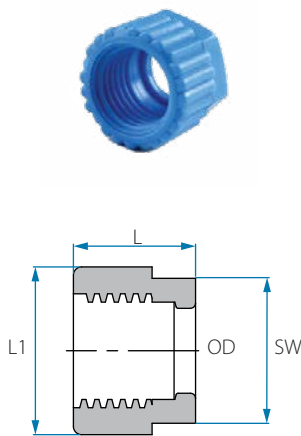
Reinforced
Polypropylene



Working pressure
Up to 14 BAR
(200 psi) at 20 °C



Temperature
4 °C - 90 °C
(subject to application)



Nut for Union Connector

Cat. No.	Tube OD mm	L mm	SW	Color
32046146001	6	11.9	16	White
32046146006	6	11.9	16	Red
32046146008	6	11.9	16	Blue
32046146009	6	11.9	16	Yellow
32046148001	8	11.9	16	White
32046148006	8	11.9	16	Red
32046148008	8	11.9	16	Blue
32046150002	10	14.2	16	Black
32046150008	10	14.2	19	Blue
32046152002	12	17.5	22	Black

Cat. No.	Tube OD inch	L mm	SW	Color
32046104001	1/4"	11.9	16	White
32046104002	1/4"	11.9	16	Black
32046104008	1/4"	11.9	16	Navy Blue
32046104009	1/4"	11.9	16	Yellow
32046105008	5/16"	11.9	16	Navy Blue
32046105009	5/16"	11.9	16	Yellow
32046106008	3/8"	14.2	19	Navy Blue
32046106009	3/8"	14.2	19	Yellow
32046108001	1/2"	17.5	22	White
32046108002	1/2"	17.5	22	Black
32046108008	1/2"	17.5	22	Navy Blue
32046108009	1/2"	17.5	22	Yellow

Note: Use nuts with Tefen's barb fittings only