

QUICK DISCONNECT FITTINGS

Simplify tube changes and ensure operator safety.



M-3 pump shown with quick disconnect fittings

Product Overview

The orange discharge fitting has an automatic (active) functioning check valve, preventing chemical back flow. The white suction fitting functions as a check valve when tubing is detached, preventing loss of prime and spills while changing the tube assembly. The suction valve is forced open when the tube assembly is attached.

Three connection types available:



3/8" OD x 1/4" Tubing



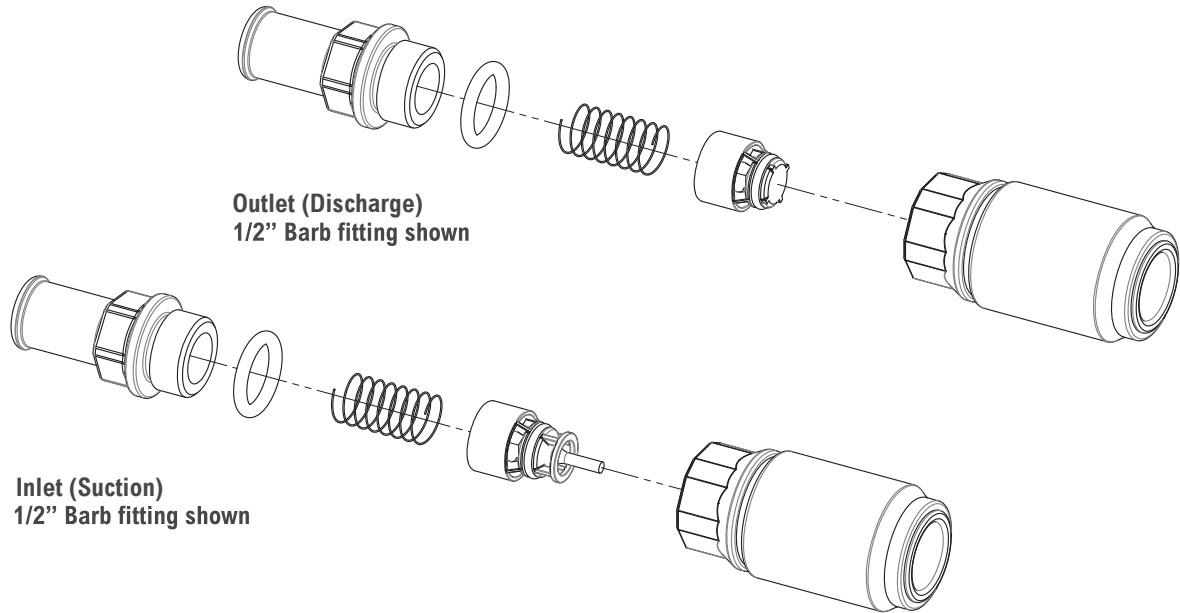
1/2" Hose Barb



1/2" M/NPT

Quick Disconnect Information Sheet & Ordering Guide

Exploded View



Ordering Information:

Quick Disconnect Fitting Kits:

Part #	Connection Fittings	O-rings
KIT - QBV	1/2" Barb	FKM
KIT - QBE	1/2" Barb	EP
KIT - QBA	1/2" Barb	TFE/P
KIT - QMV	1/2" M/MPT	FKM
KIT - QME	1/2" M/MPT	EP
KIT - QMA	1/2" M/MPT	TFE/P
KIT - QSV	3/8" OD, 1/4" ID Tube Compression	FKM
KIT - QSE	3/8" OD, 1/4" ID Tube Compression	EP
KIT - QSA	3/8" OD, 1/4" ID Tube Compression	TFE/P

Kit includes: Inlet (suction) and Outlet (discharge), does not include tube assembly.

Compatible tube assemblies for M-2 include: ND, NEE, NGG, and G2G

Compatible tube assemblies for M-3 include: ND, NEE, NGG, NK, NKL, and G2G

Technical Information:

Temperature rating:

130°C and 266°F

Pressure rating:

125 PSI

Wetted Materials:

Body: PVDF

Spring: Hasteloy C

O-ring options: FKM, EP, TFE/P