

F-400

Variable Area Flow Meter



Features

- > Durable, highly polished, one piece meter body
- > Annealed for added strength and chemical resistance
- > Acceptable in direct sunlight
- > Full scale accuracy +/- 5%
- > 316SS float & guide-wire

Highlights

Flow range

.025 - 5.0 GPM
.100 - 20 LPM

Pressures up to

150 PSI
(10.3 bar)

Max. fluid temp.

150 °F
65 °C

Body

Acrylic

Adapters

1/4", 3/8" & 1/2" F/NPT

Warranty

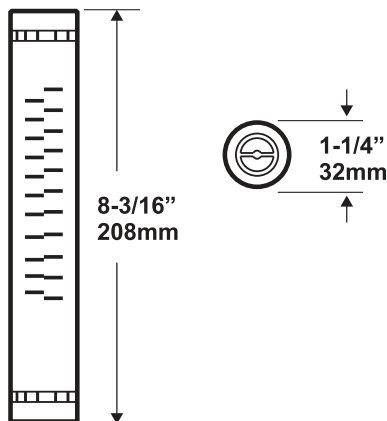
1 Year



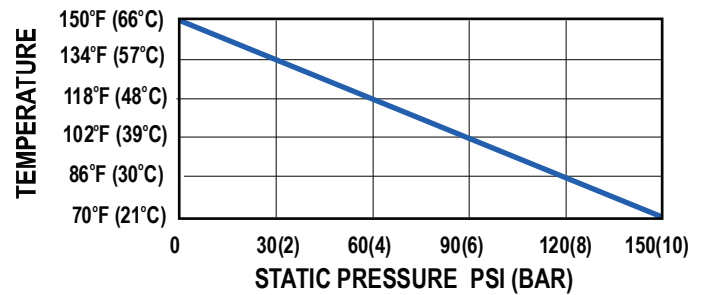
Maximum Working Pressure	150 psi (10.3 bar) @ 70 °F (21 °C)
Maximum Fluid Temperature	150 °F (65 °C)
Full Scale Accuracy	+/- 5%
Calibration Fluid	Water, specific gravity 1.0
Scale Length	4" (100mm)
Environment	Acceptable for direct sunlight exposure
Approximate Shipping Weight	0.5 lb (.23kg)

Dimensions

Dim	Inch	cm
A	8-3/16"	20.8
B	1-1/4"	3.2



Maximum Temperature vs. Pressure



Wetted Components:

Meter Body	Cast acrylic rod
Adapters	Polypropylene
O-ring Seals	Viton®
Float	316SS, PVDF or PTFE (varies by model)
Guide Rod	316SS

Output Specifications

Model	Feed Rate		Max Pressure	Max Temperature	Float Material
	GPM	LPM	PSI (bar)	°F (°C)	
F-40250LN	0.025–0.250	0.1–1.0	150 (10.3)	150 (65)	PVDF
F-40050LN	0.05–0.5	0.2–2.0	150 (10.3)	150 (65)	316SS
F-40375LN	0.1–1.0	0.4–4.0	150 (10.3)	150 (65)	PTFE
F-40376LN	0.2–2.0	1.0–7.5	150 (10.3)	150 (65)	316SS
F-40377LN	0.3–3.0	1.5–11	150 (10.3)	150 (65)	316SS
F-40500LN	0.5–5.0	2.0–20	150 (10.3)	150 (65)	316SS

Model Number Matrix

F-400 Model Number

F	Flow Meter					
Series						
	40	F-400 Acrylic body				
Scale						
	050	0.05 - .5 gpm (0.2 - 2.0 lpm) 316ss Float				
	250	0.025 - .25 gpm (0.1 - 1.0 lpm) PVDF Float				
	375	0.1 - 1.0 gpm (0.4 - 4.0 lpm) PTFE Float				
	376	0.2 - 2.0 gpm (1.0 - 7.5 lpm) 316ss Float				
	377	0.3 - 3.0 gpm (1.5 - 11 lpm) 316ss Float				
	500	0.5 - 5.0 gpm (2.0 - 20 lpm) 316ss Float				
Guide-Wire Material						
	LN	3/16" Stainless steel rod				
Adapter						
	4	.250" Female NPT, Polypropylene				
	6	.375" Female NPT, Polypropylene				
	8	.500" Female NPT, Polypropylene				
F	-	40	050	LN	-	4 Sample Model Number

*In-house NIST Calibration, OEM packaging, silicone oil free and bulk packaging options are also available.