

F-420

Variable Area Flow Meter



Features

- > Durable, highly polished, one piece meter body
- > Annealed for added strength and chemical resistance
- > Acceptable in direct sunlight
- > Full scale accuracy +/- 5%
- > 316ss float & guide-wire

Highlights

Flow range

5.0 - 50 GPM
20 - 200 LPM

Pressures up to

130 PSI
(8.9 bar)

Max. fluid temp.

130 °F
54 °C

Body

Acrylic

Adapters

1.0" & 1.5"
(F/NPT & M/NPT)

Warranty

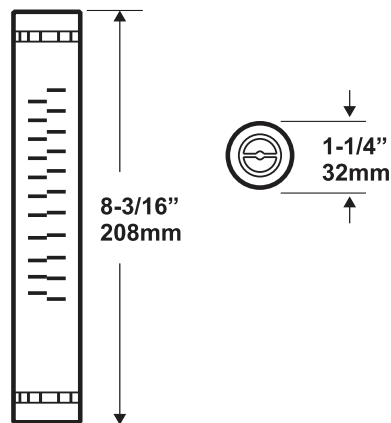
1 Year



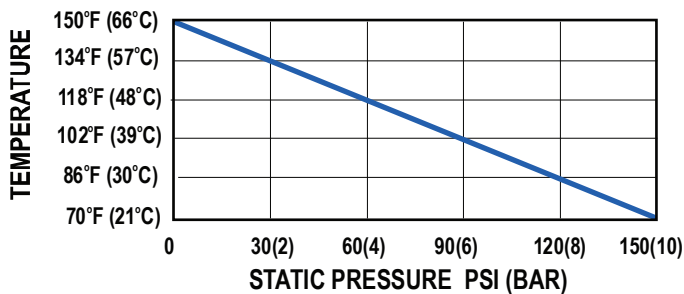
Maximum Working Pressure	130 PSI (8.9 bar) @ 70 °F (21 °C)
Maximum Fluid Temperature	130 °F (54 °C) @ 0 PSI
Full Scale Accuracy	+/- 5%
Calibration Fluid	Water, specific gravity 1.0
Scale Length	4" (100mm)
Environment	Acceptable for direct sunlight exposure
Maximum Pressure Drop	2 PSI
Approximate Shipping Weight	2 lb (.91kg)

Dimensions

Dim	Inch	cm
A	11"	27.9
B	1-3/4"	4.4



Maximum Temperature vs. Pressure



Wetted Components:

Meter Body	Cast acrylic rod
Adapters	PVC
Guide Rod Holder	Polysulfone
O-ring Seals	Viton®
Float	316SS
Guide Rod	316SS

Output Specifications

Model	Feed Rate		Max Pressure	Max Temperature	Float Material
	GPM	LPM	PSI (bar)	°F (°C)	
F-42025LN	5 - 25	20 - 100	130 (8.9)	70 (21)	316SS
F-42040LN	8 - 40	30 - 150	130 (8.9)	70 (21)	316SS
F-42050LN	10 - 50	40 - 200	130 (8.9)	70 (21)	316SS

Model Number Matrix

F-420 Model Number

F	Flow Meter				
	Series				
	420	F-420 Acrylic Body			
		Scale			
		25	5-25 gpm (20 - 100 lpm) 316ss float		
		40	8-40 gpm (30 - 150 lpm) 316ss float		
		50	10-50 gpm (40 - 200 lpm) 316ss float		
			Guide-Wire Material		
			LN	3/16" Stainless steel rod	
				Adapter	
				(Blank)	1.5" Male NPT, PVC
				-16	1.0" Female NPT, PVC
F	-	420	25	LN	Sample Model Number

*In-house NIST Calibration, OEM packaging and silicone oil free options are also available.