

QUICK RELEASE

The special quick connector offers a fast and reliable push-to-connect mechanism. The outer sleeve locks the plug into the socket.

When the plug is disconnected, the socket acts as a shut-off valve.

A variety of plugs can be connected and used, suitable for hydraulic or pneumatic systems.



P. 85



P. 85



P. 85



P. 85



Working pressure
Up to 14 BAR
(200 psi) at 20 °C



Temperature
4 °C - 90 °C
(subject to application)

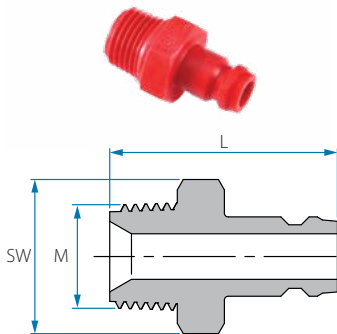
part	material
Body	Nylon 6-6
Internal parts	Acetal
Spring + Ball	Stainless Steel



Quick Release Socket

Cat. No.	F (BSPT)	L mm	SW	O-ring	Color
22080004000	1/4"	44.0	19	NBR	Red
22081104002	1/4"	44.0	19	EPDM	White
22080004001	1/4"	44.0	19	EPDM	White

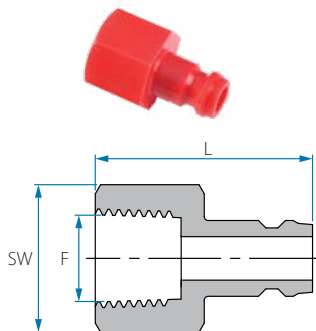
Acetal



Plug - External Thread

Cat. No.	M (BSPT)	L mm	SW	Color
12081404006	1/4"	31.2	17	Red

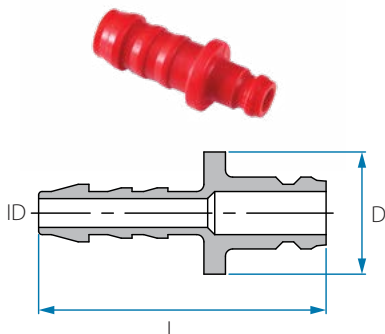
Note: Packing 25 unit



Plug - Internal Thread

Cat. No.	F (BSPT)	L mm	SW	Color
12081504006	1/4"	28.6	17	Red

Note: Packing 25 unit



Plug - Hose Connector

Cat. No.	Tube ID mm	L mm	D	Color
12081645006	5	37.8	16.7	Red
12081646006	6	39.8	16.7	
12081648006	8	43.2	16.8	
12081650006	10	43.2	16.8	
12081652006	12	43.2	16.8	

Note: Packing 25 unit