

A2

FLEXFLO® Peristaltic Metering Pump



Features

- > Self priming chemical metering pump delivers smooth chemical feed
- > Tube Failure Detection (TFD) senses tube rupture
- > Signal inputs include: 4-20mA, Pulse Inputs, Frequency Inputs
- > Signal outputs include: Relay (3 amp), 4-20mA (optional), Motor Status



NEMA 4X

Highlights

Flow range

.02 – 21.23 GPH
.07 – 80.4 LPH

Pressures

125 PSI
(8.6 bar)

Turndown ratio

100 : 1

Exclusive

Tube Failure Detection
(TFD)

Motor

Brushed DC

Warranty

2 Years

Control Methods

Control Methods	Manual Control	4-20mA Input	Remote Start/Stop	Alarm Output	FVS	Motor Status Output
A2V	•	•	•	•	•	•



Maximum Working Pressure	125 psig (8.6 bar)
Maximum Fluid Temperature	185 °F (85 °C)
Maximum Ambient Temperature	14 °F to 115 °F/ -10 °C to 46 °C
Maximum Viscosity	12,000 Centipoise
Maximum Suction Lift	30 ft. Water at sea level (14.7 atm psi)
Operating Voltage	115VAC/60Hz, 1ph (1.5 Amp Maximum)
	230VAC/60Hz, 1ph (0.7 Amp Maximum)
	220VAC/50Hz, 1ph (1.0 Amp Maximum)
	240VAC/50Hz, 1ph (1.0 Amp Maximum)
	230VAC/50Hz, 1ph (1.0 Amp Maximum)
Power Cord Options	115V60Hz = NEMA 5/15 (USA)
	230V60Hz = NEMA 6/15 (USA)
	220V50Hz = CEE 7/VII (EU)
	240V50Hz = AS 3112 (Australia/New Zealand)
	230V50Hz = BS 1363/A (UK)
Motor	Brushed DC, 1/8 H.P.
Duty cycle	Continuous
Motor Speed Adjustment Range	100:1, (1.0% – 100% motor speed) Max. rpm = 130
Display	Backlit LCD, UV resistant
Keypad	Eight button positive action tactile switch keypad
Maximum Overall Dimensions	7-1/2" W x 10-1/4" H x 14" D (19 W x 26 H x 35.6 D cm)
Product Weight	28.4lb. (12.9 Kg)
Approximate Shipping Weight	35 lb. (15.9 Kg)
Enclosure	NEMA 4X (IP66)
RoHS Compliant	Yes
Standards	cETLus, CE

Output Specifications

Tube Material / Size	Feed Rate			Max Pressure	Max Temperature
	GPH	LPH	mL/Min	PSI (bar)	°F (°C)
Flex-A-Thane® Tube					
GE	.04 - 4.0	15 - 15.2	3 - 253	65 (4.50)	130 (54)
GG	.09 - 9.3	.35 - 35.2	6 - 587	65 (4.50)	130 (54)
G2G	.15 - 14.9	.567 - 56.7	9.45 - 945	65 (4.50)	130 (54)
GH	.21 - 21.23	.80 - 80.4	13.4 - 1340	65 (4.50)	130 (54)
Flex-A-Prene® Tube					
ND	.02 - 1.7	.07 - 6.5	1 - 108	125 (8.60)	185 (85)
NEE	.044 - 4.44	.168 - 16.8	2.80 - 280	110 (7.60)	185 (85)
NGG	.172 - 17.2	.651 - 65.1	10.85 - 1085	110 (7.60)	185 (85)
Flex-A-Chem® Tube					
TH	.14 - 14.3	.54 - 54	9.0 - 900	50 (3.45)	130 (54)

Non-wetted Components:

Enclosure: 413 Aluminum (Polyester powder coated)

Pump Head: Valox® (PBT) thermoplastic

Pump Head Cover: Polycarbonate

Permanently lubricated sealed motor shaft support ball bearing.

Cover Screws: Stainless steel

Roller Assembly:

Rotor: Valox® (PBT)

Rollers: Nylon

Roller Bearings: SS Ball Bearings

Motor Shaft: Chrome plated steel

TFD System Sensor: Hastelloy C-276

Power Cord: 3 conductor, SJTW-A water-resistant

Tube Installation Tool: GF Nylon

Mounting Brackets and Hardware: 316 Stainless steel

Wetted Components:

Pump Tube Assembly:

Tubing : Flex-A-Prene®, Flex-A-Chem® or Flex-A-Thane®

Adapter Fittings : PVDF

Injection/Back-Flow Check Valve (“S”, “B”, and “M” only):

Body & Insert: PVDF

Check Ball: Ceramic

Spring: Hastelloy C-276

Ball Seat O-Ring: TFE/P

Static Seal O-Ring: FKM

Ancillary Items Provided:

With “S” Tubing Type Only:

Suction Tubing: 3/8” OD x 1/4” ID x 10’ Clear PVC

Discharge Tubing: 3/8” OD x 1/4” ID x 10’ Polyethylene

Suction Strainer: Polypropylene

With “B” Tubing and “M” M/NPT Connections Only:

Suction Strainer: PVDF

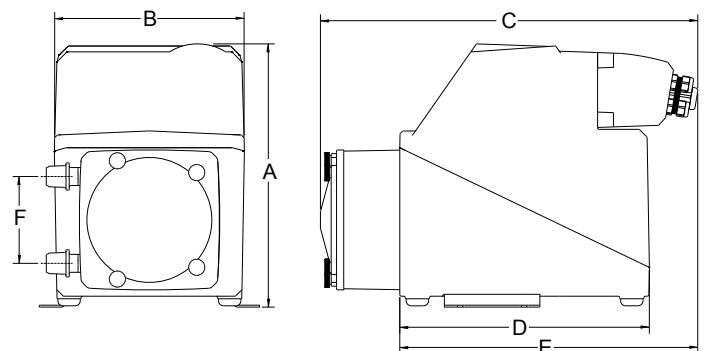
Ancillary Items Not Included (unless stated above):

Injection Fitting, Foot Valve/Strainer, Suction Tubing/Pipe, Discharge Tubing/Pipe, Quick Disconnect Valves, or Communications Wire/Cable.

** Flex-A-Prene®, Flex-A-Thane®, and Flex-A-Chem® tubing comply with FDA 21 CFR, 117.2600 criteria for food processing.

Dimensions

Dim	Inch	cm	Dim	Inch	cm
A	10-1/4"	26	D	9-1/2"	24.1
B	7-1/2"	19	E	11"	27.9
C	14"	35.6	F	3-3/8"	8.6




Model Number Matrix

FLEXFLO® Model Number

A2	FLEXFLO® Peristaltic Metering Pump								
Series Control Options									
V	Multiple automatic input output control and alarm modes (remote control)								
Power Cord (operating voltage requirement 96VAC to 264VAC)									
4	115V / 60HZ, power cord NEMA 5/15 plug (US)			8	240V / 50HZ, power cord AS 3112 plug (AU/New Zealand)				
5	230V / 60HZ, power cord NEMA 6/15 plug (US)			9	230V / 50HZ, power cord BS 1363 plug (UK)				
6	220V / 50HZ, power cord CEE 7/VII plug (EU)			X	No Power Cord				
Inlet/Outlet Connection Size, Connection Type, Connection Material									
S	3/8" OD x 1/4" ID Tube Compression Fitting, Natural PVDF (Kynar)								
M	1/2" Male NPT Fitting, Natural PVDF (Kynar)								
B	1/2" ID Tubing Barb Fitting, Natural PVDF (Kynar), available for ND, NEE, NGG, and G2G only								
C	1/2"-3/4" Tri-clamp connections, Natural PVDF (Kynar), available for ND, NEE, NGG, and G2G only								
Q	Quick Disconnect, Natural PVDF (Kynar), available for ND, NEE, NGG, and G2G only (valves sold seperately)								
MB	1/2" Male BSPT Fitting, Natural PVDF (Kynar)								
Pump Tube Material, Pump Tube Size									
ND	Flex-A-Prene® .075 ID .02-1.7 GPH 125 PSI			GE	Flex-A-Thane® .125 ID .04-4.0 GPH 65 PSI				
NEE	Flex-A-Prene® .093 ID .044-4.44 GPH 110 PSI			GG	Flex-A-Thane® .187 ID .09-9.3 GPH 65 PSI				
NGG	Flex-A-Prene® .187 ID .172-17.2 GPH 110 PSI			G2G	Flex-A-Thane® .312 ID .15-14.98 GPH 65 PSI				
TH	Flex-A-Chem® .250 ID .14-14.3 GPH 50 PSI			GH	Flex-A-Thane® .312 ID .21-21.23 GPH 65 PSI				
Options (leave this blank for standard model with left facing pump head inlet/outlet)									
3	4-20 mA analog output								
R	Right facing pump head, input / output (Left facing fluid input / output is standard)								
D	Down facing pump head, input / output (Left facing fluid input / output is standard)								
A2	V	2	4	-	S	ND	-	3	Sample Model Number

Accessories



1/4" x 3/8" "S" Fitting
1/2" Hose Barb "B" Fitting
1/2" MNPT "M" Fitting

Quick Disconnects *KIT-QSV FKM O-RINGS *KIT-QBV FKM *KIT-QMV FKM
*KIT-QSE EP O-RINGS *KIT-QBE EP *KIT-QME EP



KIT-PSM
Wall Mount Bracket, HDPE



TI40-6V
T.I. INJECTOR, 3/8" OD



C-340A
FOOT VALVE



A2-(see spare parts page)
Spare Tube Element

Visit Accessory Pages for More Options