

CFPS-2

CHEM-FEED® Plastic Duplex Skid System



Features

- > Chemically resistant polyethylene structure
- > Leak free, threadless connections
- > Pressure Relief Valve protects the system from over-pressurization
- > Check Valve protects the user from back-flow
- > Flow Indicator provides a visual indication of chemical movement

Video link: 

Highlights

Piping

PVC Schedule 80
(optional CPVC, PVDF,
and Chem Proline® PE)

Pressure

150 PSI
(10.3 bar)

Compatibility

A1, A2, A3, A4,
CD1, C2, C3, CD3

Frame material

Polyethylene

Mounting position

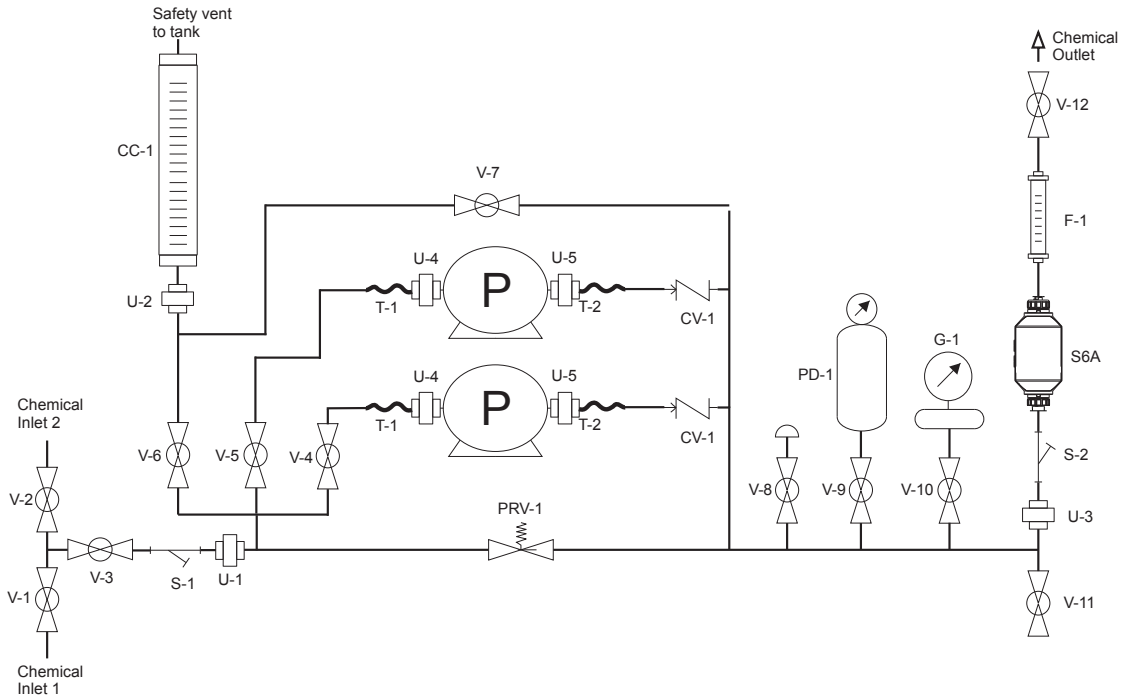
Floor or wall

Warranty

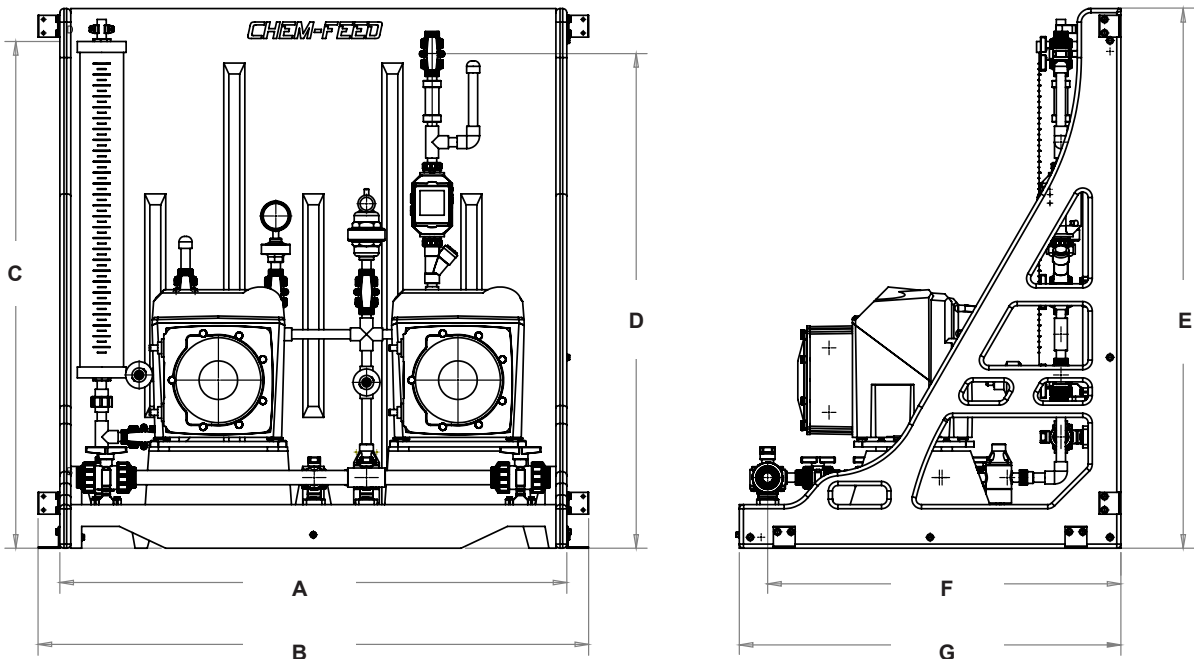
2 Years



Skid	Chemically resistant polyethylene structure
Pump (sold separately)	FLEXFLO® A1, A2, A3 or A4 peristaltic pumps CHEM-FEED® CD1, C2, C3 or CD3 diaphragm pumps
Piping	1" Inlet & 1/2" outlet PVC schedule 80 (optional CPVC, PVDF, Chem Proline®)
Seals	FKM seals (optional EPDM)
Tubing (T)	Reinforced braided PVC, 200 psi max, certified NSF 51 / NSF 61. The pump inlet and outlet flexible tubing connections are terminated to half unions and secured to the barbed fitting with stainless steel clamps. (Optional: 1/2" PTFE, 1/4" PE, 1/4" PTFE)
Tubing Clamps	300 series SS band, 400 series SS screw
Unions (U)	PVC body, schedule 80 (optional CPVC, PVDF)
Ball Valves (V)	True unions, PVC body, PTFE shaft bearings and seats (optional CPVC, PVDF)
Pressure Relief Valve (PRV)	PVC body, PTFE primary diaphragm seal. Non-wetted components: EPDM secondary seal, zinc plated steel spring, stainless steel external hardware, HDPE pressure adjustment screw. Infinite adjustment from 10-150 psi. (optional CPVC, PVDF)
Calibration Cylinder (CC)	PVC body, PVC end caps, 1/2" PVC pipe outlet vent Available volumes: 3 GPH (100ml), 8 GPH (250ml), 16 GPH (500ml), 32 GPH (1000ml), 64 GPH (2000ml), and 132 GPH (4000ml)
Pulsation Dampener (PD)	CPVC body, 10 cubic inch volume (optional PVDF)
Gauge W/Guard (G)	Gauge: liquid filled stainless steel with blowout plug, bottom mount, 1/4" NPT threads. Available pressure ranges: 0-30 psi, 0-100, psi, 0-200 psi. Guard: PVC body, temperature compensated oil filled. (optional CPVC, PVDF)
Check Valve (CV)	PVC body. Cracking pressure: 1.0-1.5 psi Maximum working pressure: inlet = 150 psi, back = 100 psi (optional CPVC, PVDF)
Flow Indicator (F)	Machined cast acrylic, PVC connections, ceramic ball, PVDF ball stop, PVC half unions.
Y Strainer (S)	PVC body, 1/32" Mesh (optional CPVC, PVDF)
Pressure Switch (PSH)	316 Stainless Steel
Back-Pressure Valve (BPV)	PVC body, 0-150 PSI Range (optional CPVC, PVDF)
Universal Mounting Blocks	PA 12
Pump Extended Mounting Brackets	316 Stainless Steel
Skid Mounting Foot Pads	316 Stainless Steel
Mounting Hardware	304 Stainless Steel - Wall or Floor mounting acceptable
Maximum Working Pressure	150 psig (10.3 bar)
Operating Temperature	14 °F to 115 °F (-10 °C to 46 °C)
Containment Volume	2.9 gal (11.4L) - Integral to skid. 1/4" FNPT drain port.
Maximum Overall Dimensions	46.5"W x 49.4"H x 35"D (118.11W x 125.73H x 88.9D cm)
Approximate Shipping Weight	Standard: 120 lb. (54 Kg) with mounted pumps: 140-240 lbs (109 Kg)



Dimensions



Dim	Inch	cm	Dim	Inch	cm
A	46.50"	118.11	E	49.50"	125.73
B	50.50"	128.27	F	32.40"	82.30
C	46.47"	118.04	G	35.00"	88.90
D	45.37"	115.24			

Model Number Matrix

CFPS-2

CHEM-FEED® Duplex Skid System Matrix - Industrial

CFPS-2 Dual pump system - PE structure

Inlet/Outlet

A	Single Inlet / Single Outlet
B	Single Inlet / Dual Outlet
X	None, Skid Panel Only

Piping/Unions

A	PVC	B	CPVC	C	PVDF	D	Chem Proline®
----------	-----	----------	------	----------	------	----------	---------------

Seals

V	FKM	E	EPDM
----------	-----	----------	------

Tubing Connections

A	1/2" ID PVC Braided	B	1/2" ID PTFE	C	1/4" ID PE	D	1/4" ID PTFE
----------	------------------------	----------	-----------------	----------	---------------	----------	-----------------

Calibration Column

A	128 GPH (4000 ml) PVC	F	3 GPH (100 ml) PVC
B	64 GPH (2000 ml) PVC	P	32 GPH (1000 ml) Glass
C	32 GPH (1000 ml) PVC	Q	16 GPH (500 ml) Glass
D	16 GPH (500 ml) PVC	R	8 GPH (250 ml) Glass
E	8 GPH (250 ml) PVC	S	3 GPH (100 ml) Glass

Pulsation Dampener

P	10 cubic in	X	Not Included
----------	-------------	----------	--------------

Back Pressure Valve

B	Included	X	Not Included
----------	----------	----------	--------------

Pressure Gauge w/Guard

A	200 PSI	B	100 PSI	C	30 PSI
----------	---------	----------	---------	----------	--------

Pressure Switch w/Guard

S	Included	X	Not Included
----------	----------	----------	--------------

Flow Meter w/Strainer

A	10-5000 ml/m	B	100-10000 ml/m
X	Not Included		

Terminal Box

T	Included	X	Not Included
----------	----------	----------	--------------

Pumps

P	Mounted	X	Not Included
----------	---------	----------	--------------

Pump Model (Purchased separately)

-XX	Specify Model used on Skid *
------------	------------------------------

CFPS-2 I A A V A A P B A S A T P -A3SV24-BNGG Sample Model Number